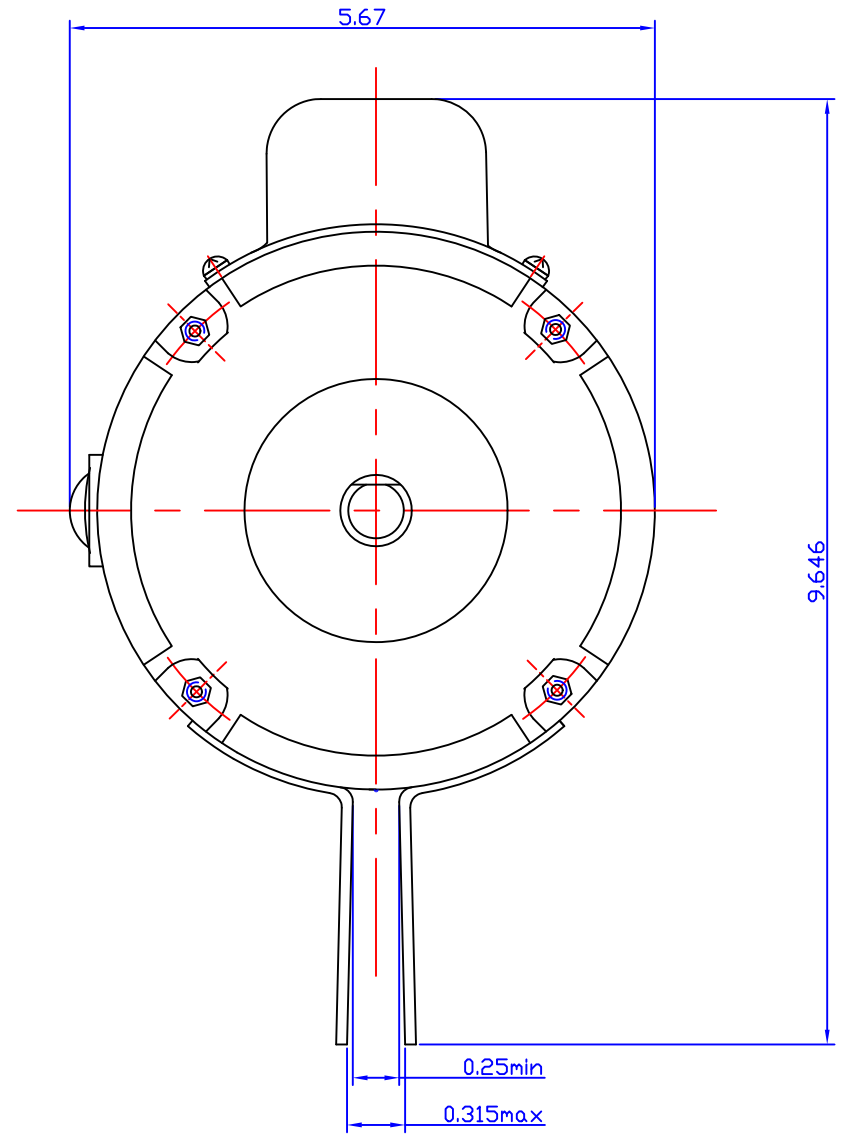
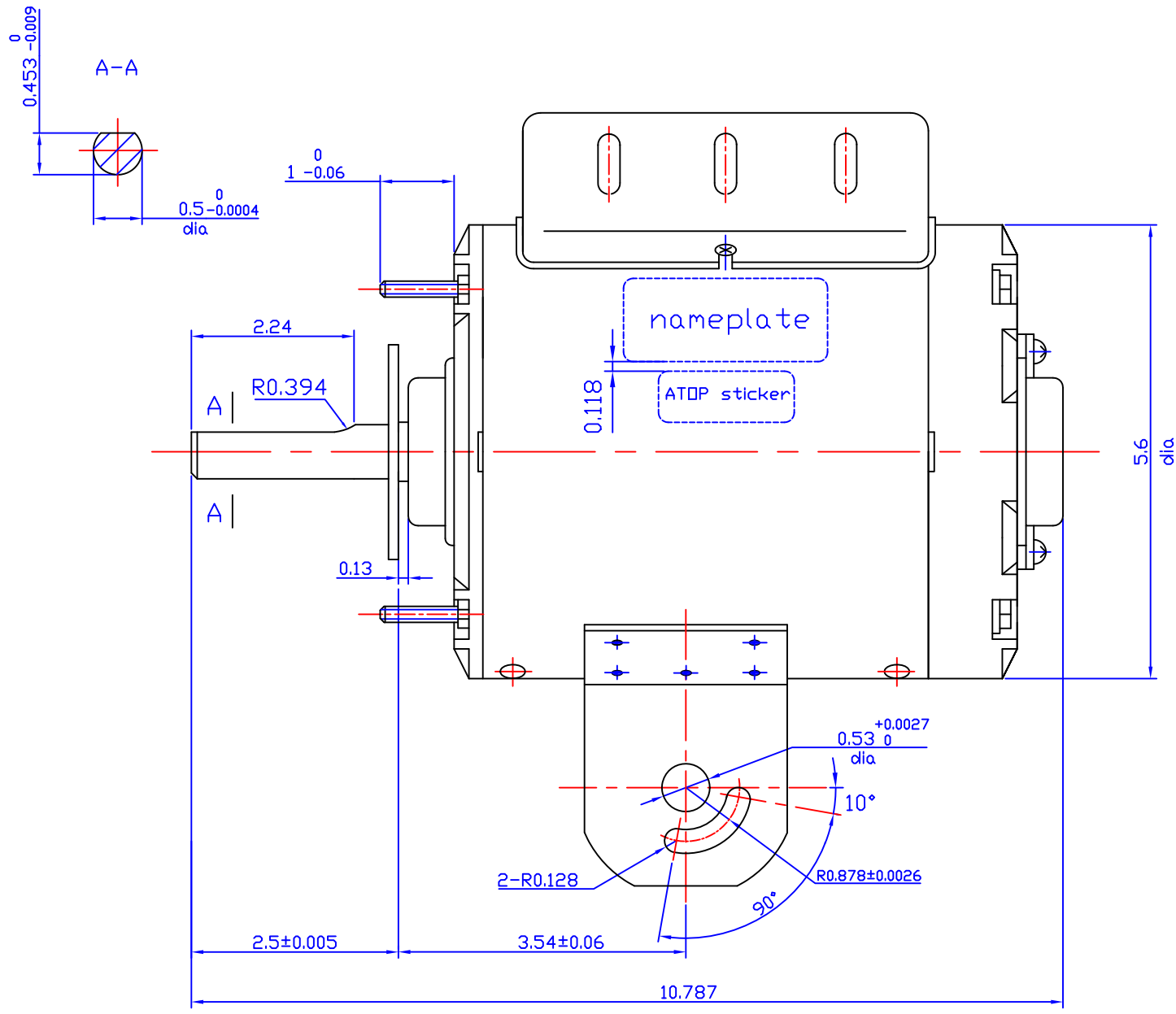
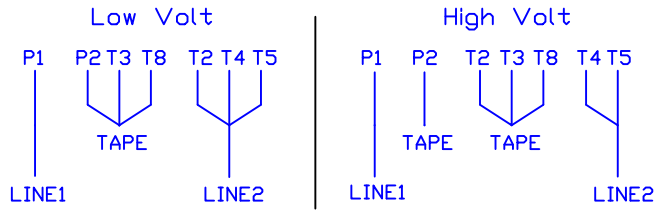


REV	ECO	REV BY	DATE	APPD	DATE



wiring diagram



IND#	VOLTS	FRAME	Hz	Pole	HP	RPM	PH	THERMALLY PROTECTED
Y833	115/230	48Y	60	4	1/2	1630	1	MEJ57RX

DR BY: _____
 APPD: _____
 FIRST ANGLE PROJECTION EDS DATE _____
 VERSION _____
 CONFIDENTIAL PROPERTY OF GW ELECTRIC (SHANGHAI) CORPORATION AND ARE NOT TO BE DISCLOSED, DUPLICATED, OR OTHERWISE USED WITHOUT THE WRITTEN CONSENT OF GW ELECTRIC (SHANGHAI) CORPORATION, OR ITS AGENT, AG-I MOTORTEC INC.
 - ALL RIGHTS RESERVED

GW
INDUSTRY

GW ELECTRIC (SHANGHAI) Co., Ltd.

DESCRIPTION
Y833 OUTLINE

SIZE A3 DWG NO _____
 SCALE 1:2 SHEET _____