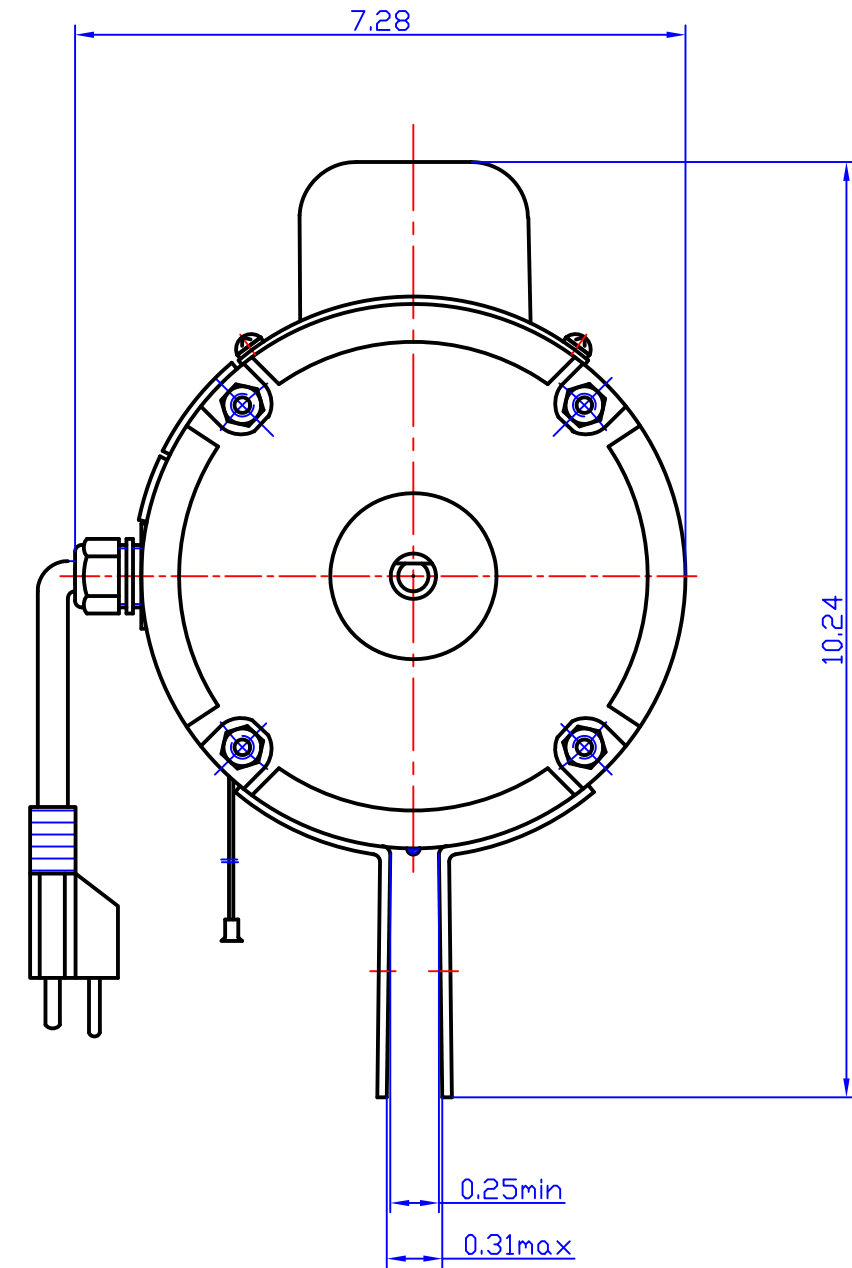
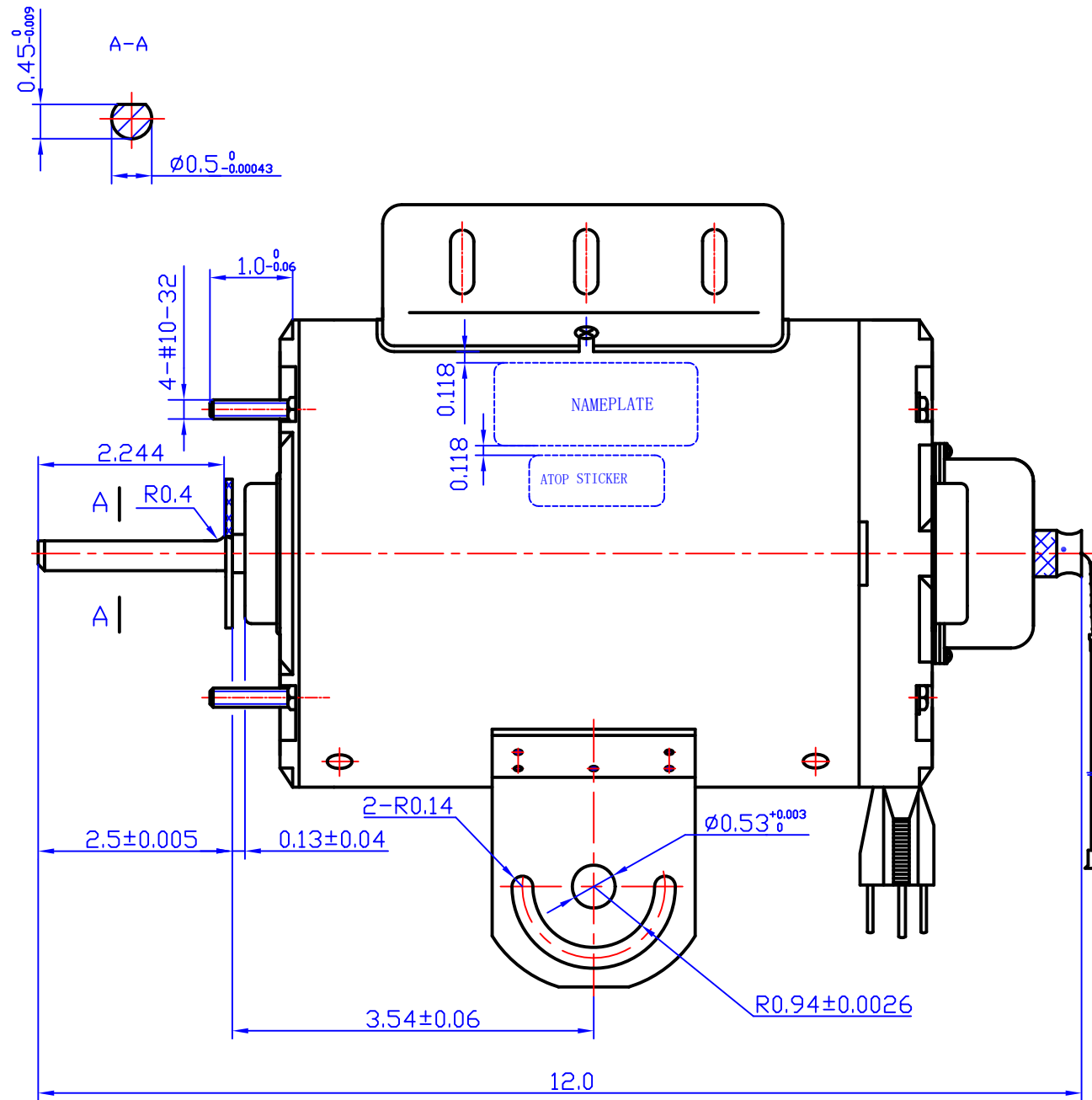


REV	ECO	REV BY	DATE	APPD	DATE



IND#	Ref.No	FRAME	PH	Pole	HP	Hz	Volt	RPM	AUTO protector	ENCL.
Y829	F334GA4PAPS	48Y	1	4	1/3	60	115	1625	MEG61RX	TEAD

DR BY: candy

APPD:

FIRST ANGLE PROJECTION 

EDS DATE 09.01.2021
VERSION

CONFIDENTIAL PROPERTY OF GW ELECTRIC (SHANGHAI) CORPORATION AND ARE NOT TO BE DISCLOSED, DUPLICATED, OR OTHERWISE USED WITHOUT THE WRITTEN CONSENT OF GW ELECTRIC (SHANGHAI) CORPORATION, OR ITS AGENT, AG-I MOTORTEC INC. - ALL RIGHTS RESERVED



AG-I MOTORTEC INC.,

DESCRIPTION
Y829 OUTLINE

SIZE A3 DWG NO

SCALE 1:2

SHEET