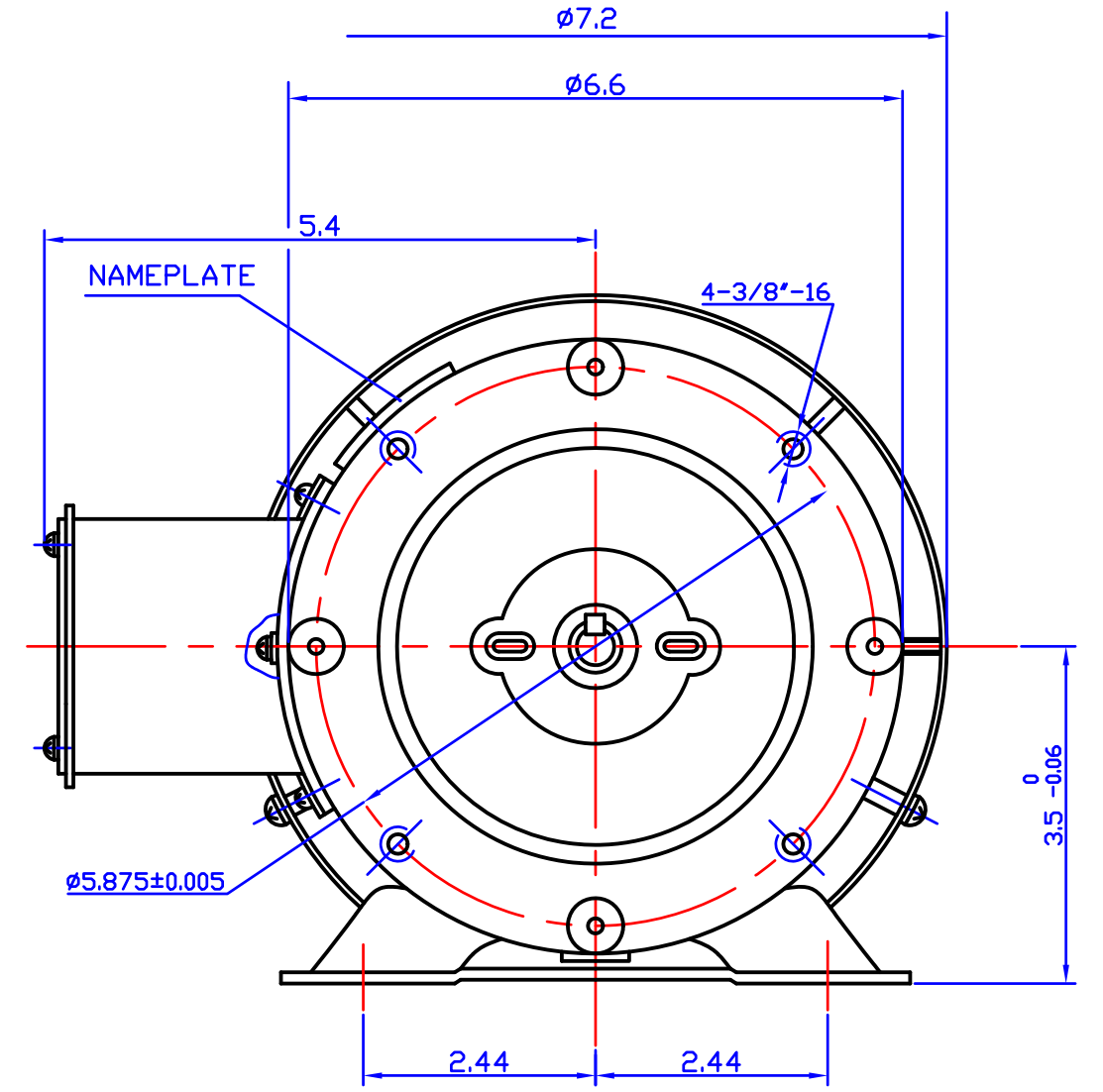
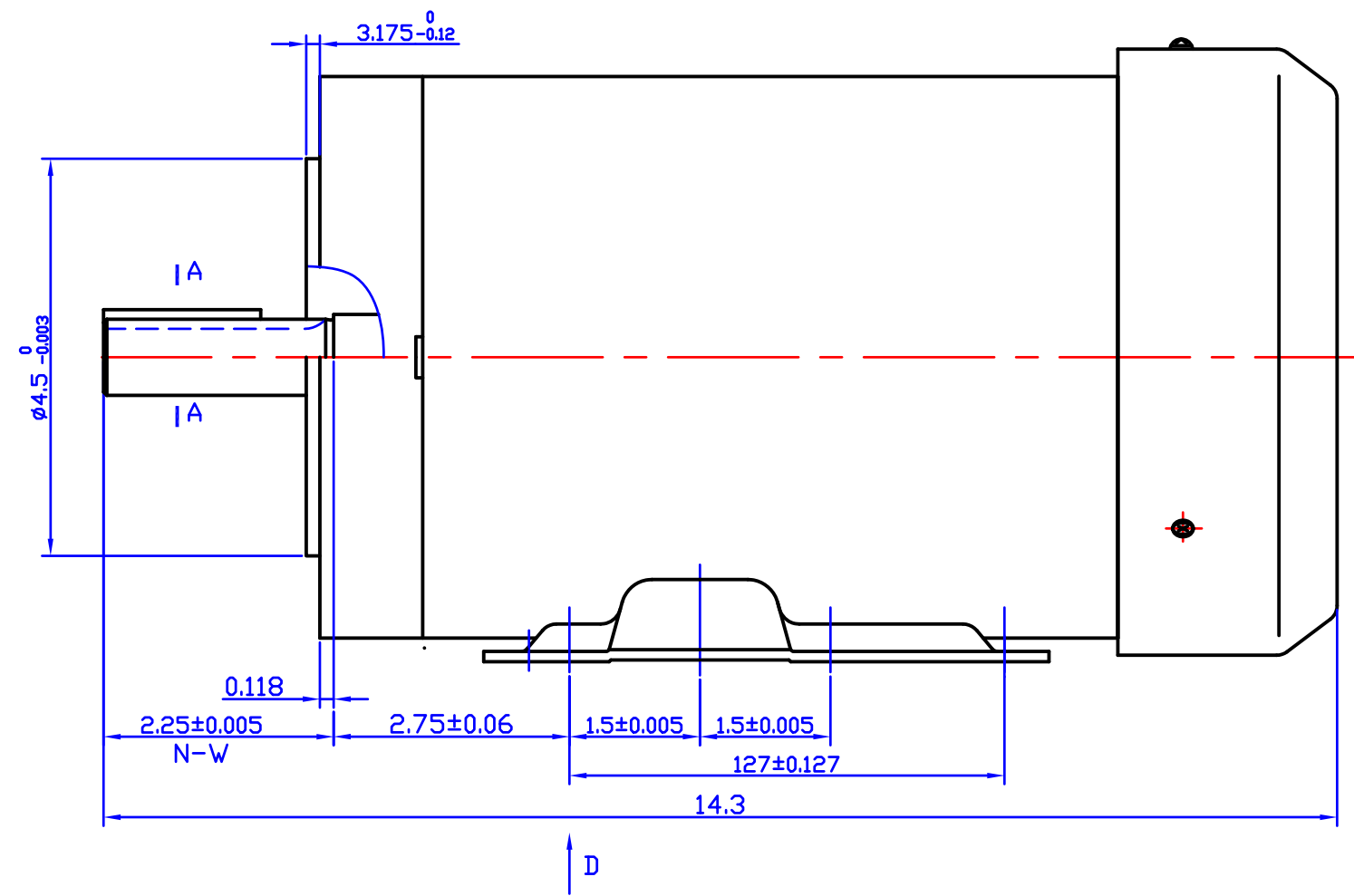
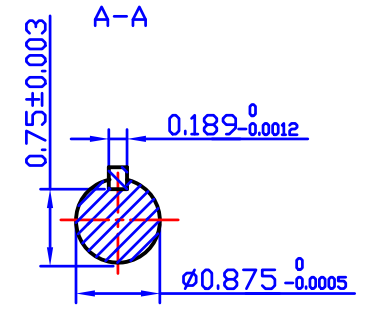
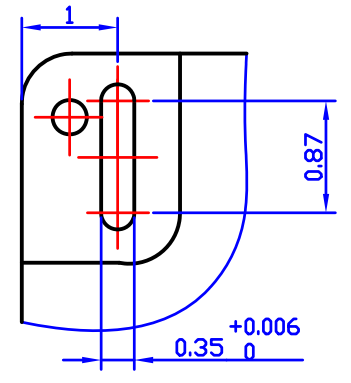


REV	ECO	REV BY	DATE	APPD	DATE



DIRECTION D



AG-I MODEL No.	FRAME	HP	VOLT	Hz	RPM	PH	S.F.	INSL.	Thermally Protector	endclose	DUTY
GWR2-4-145TC	145TC	2,1.5	208-230/460,190/380	60,50	1745,1425	3	1.15	F	NONE	TEFC	CONT.

DR BY: _____

APPD: _____

FIRST ANGLE PROJECTION EDS DATE _____
VERSION _____

CONFIDENTIAL PROPERTY OF GW ELECTRIC (SHANGHAI) CORPORATION AND ARE NOT TO BE DISCLOSED, DUPLICATED, OR OTHERWISE USED WITHOUT THE WRITTEN CONSENT OF GW ELECTRIC (SHANGHAI) CORPORATION, OR ITS AGENT, AG-I MOTORTEC INC.
- ALL RIGHTS RESERVED

AG-I MOTORTEC INC. ,

DESCRIPTION

TC02CE GWR2-4-575-145TC

SIZE	A3	DWG NO	
SCALE	1:2	SHEET	