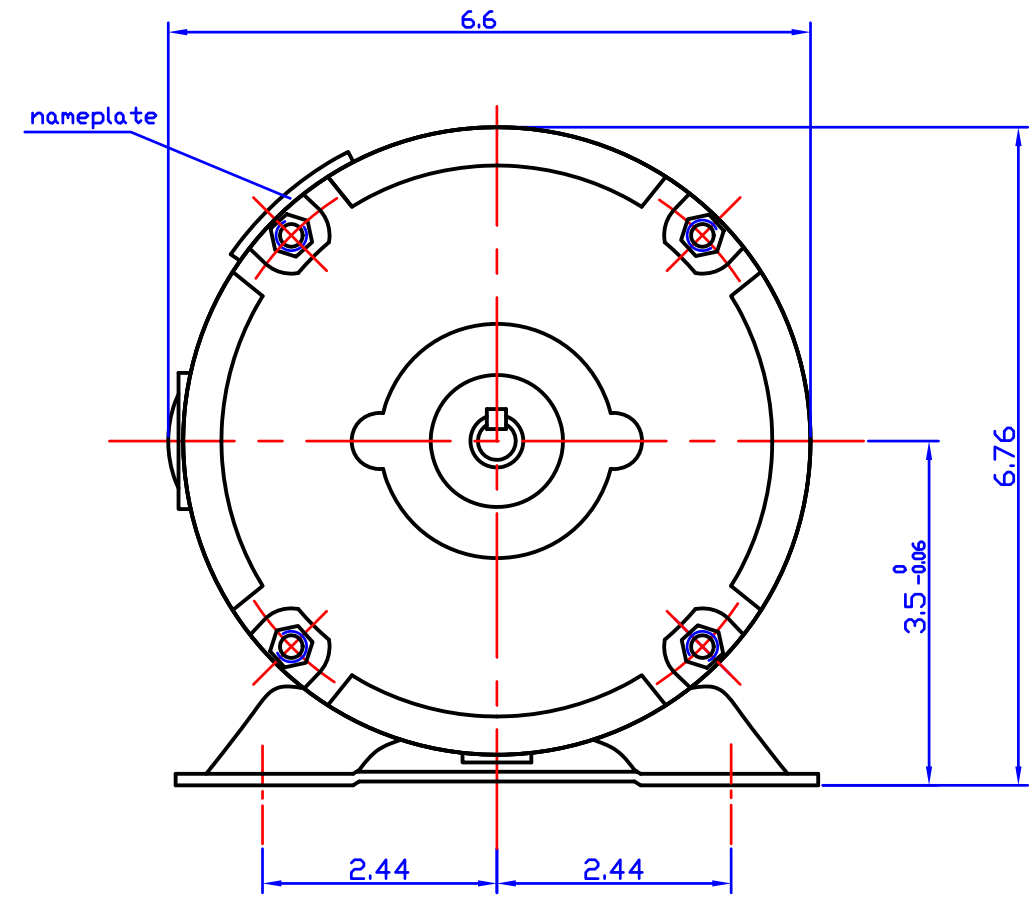
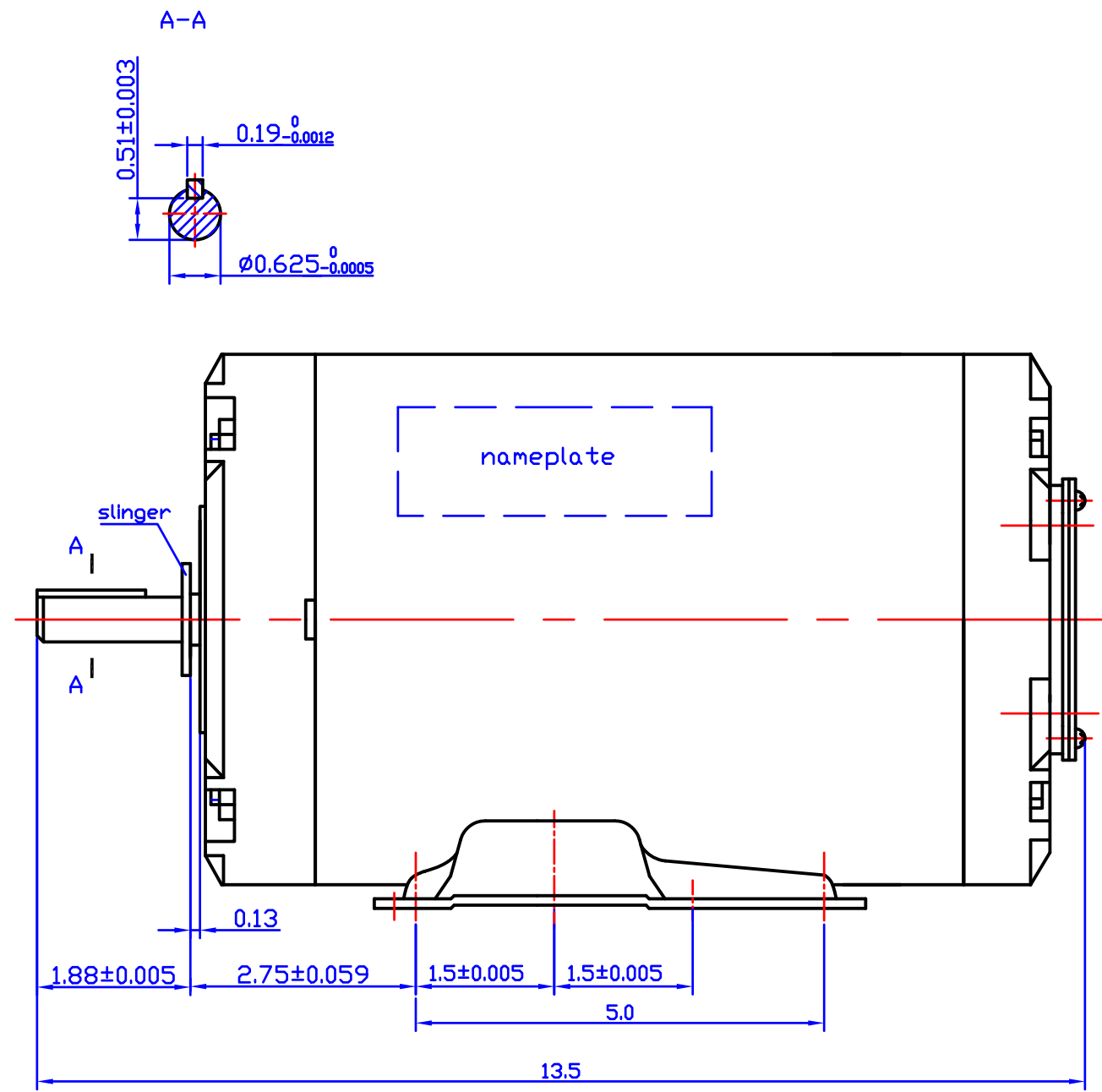


REV	ECO	REV BY	DATE	APPD	DATE



AG-I MODEL .No.	FRAME	HP	VOLTS	Hz	RPM	PH	S.F.	INSL.	Thermally Protector	endclose	DUTY
T204UA7BAP7	56H	2,1.5	208-230/460,2,190/380	60,50	1745,1440	3	1.15	F	CWJ50KR	TEAD	CONT.

DR BY:

APPD:

FIRST ANGLE PROJECTION

EDS DATE  
VERSION

CONFIDENTIAL PROPERTY OF GW ELECTRIC (SHANGHAI) CORPORATION AND ARE NOT TO BE DISCLOSED, DUPLICATED, OR OTHERWISE USED WITHOUT THE WRITTEN CONSENT OF GW ELECTRIC (SHANGHAI) CORPORATION, OR ITS AGENT, AG-I MOTORTEC INC. - ALL RIGHTS RESERVED


**AG-I MOTORTEC INC. ,**

DESCRIPTION

TU02A T204UA7BAP7

SIZE	A3	DWG NO	
SCALE	1:2		SHEET