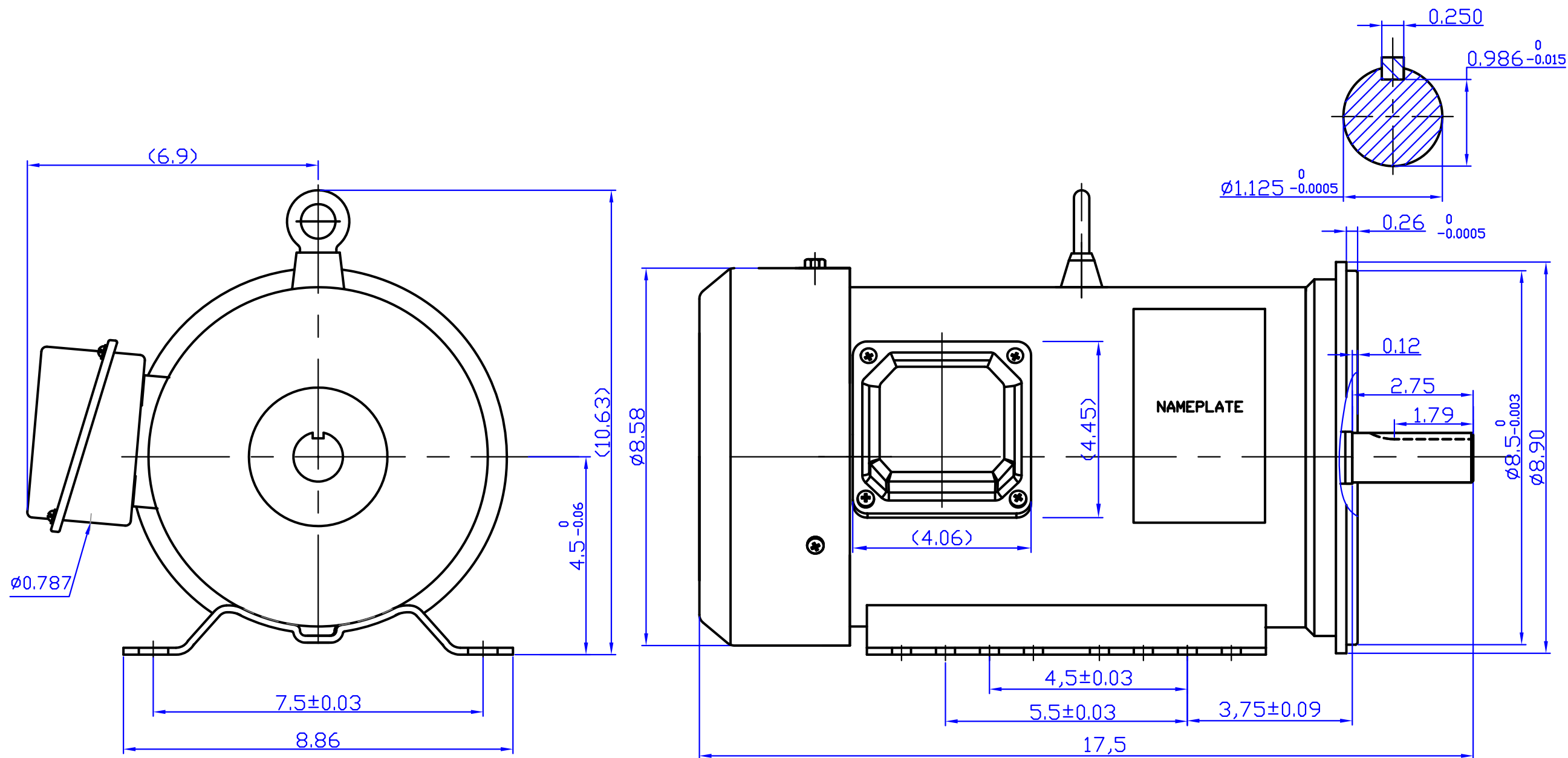


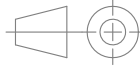
REV	ECO	REV BY	DATE	APPD	DATE
					1.9.2020



IND #	FRAME	HP	VOLTS	Hz	RPM	S.F	DUTY	ENCL.	PH
TC54C	184TC-4	5	575	60	1800	1.15	CONT.	TEFC	3
TU54C	184TC-4	5	208-230/460	60	1800	1.15	CONT.	TEFC	3

DR BY: 2020-01-09

APPD:

FIRST ANGLE PROJECTION  EDS DATE VERSION REV4

CONFIDENTIAL PROPERTY OF GW ELECTRIC (SHANGHAI) CORPORATION AND ARE NOT TO BE DISCLOSED, DUPLICATED, OR OTHERWISE USED WITHOUT THE WRITTEN CONSENT OF GE ELECTRIC (SHANGHAI) CORPORATION, OR ITS AGENT, AG-I MOTORTEC INC. -ALL RIGHTS RESERVED.



AG-I MOTORTEC INC.,

DESCRIPTION

OUTLINE FOR 184TC(5HP-4) F1 MOUNTING

SIZE DWG NO

A3

SCALE 1:2

SHEET