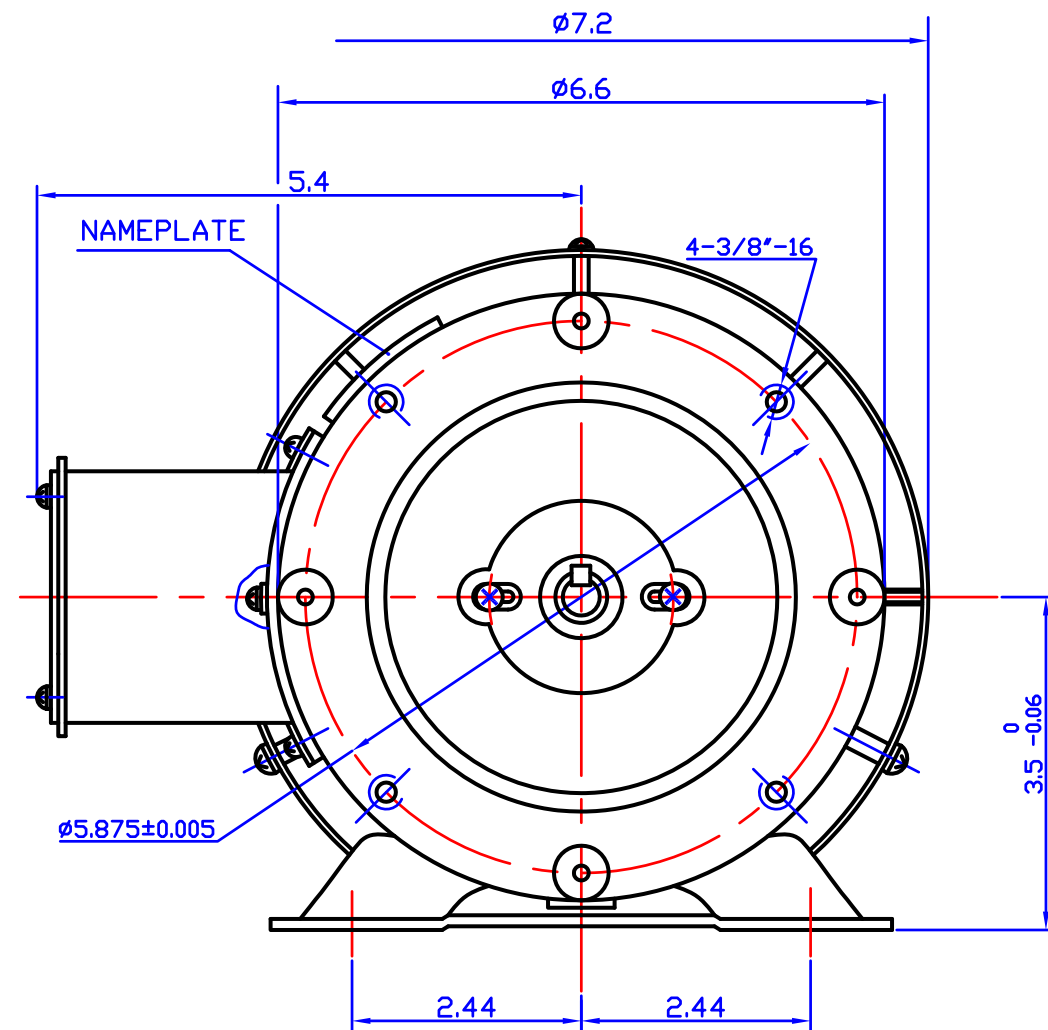
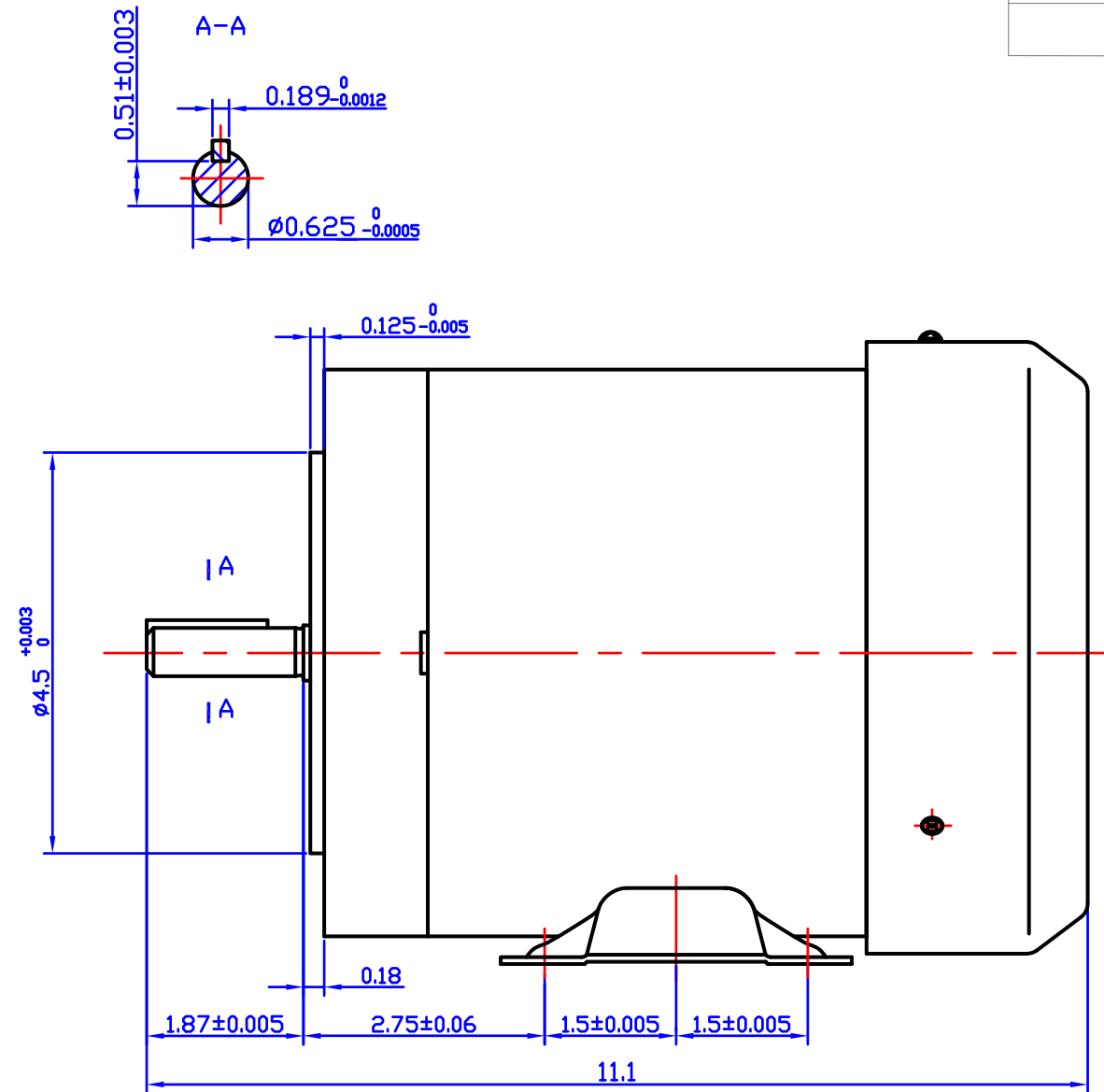



REV	ECO	REV BY	DATE	APPD	DATE



REF.NO.	IND#	HP	60Hz VOLT	50Hz VOLT	POLE	FRAME	ENCLOSURE	thermal protector
T332UF5FN00	TU23C	0.33,0.25	208-230/460	190/380	2P	56C	TEFC	NONE
T052UF5FN00	TU25C	0.5/0.33	208-230/460	190/380	2P	56C	TEFC	NONE
T752UF5FN00	TU27C	0.75/0.5	208-230/460	190/380	2P	56C	TEFC	NONE
T332CF5FN00	TC23C	0.33	575	/	2P	56C	TEFC	NONE
T052CF5FN00	TC25C	0.5	575	/	2P	56C	TEFC	NONE
T752CF5FN00	TC27C	0.75	575	/	2P	56C	TEFC	NONE

DR BY:

APPD:

FIRST ANGLE PROJECTION 

EDS DATE
VERSION

CONFIDENTIAL PROPERTY OF GW ELECTRIC (SHANGHAI) CORPORATION AND ARE NOT TO BE DISCLOSED, DUPLICATED, OR OTHERWISE USED WITHOUT THE WRITTEN CONSENT OF GW ELECTRIC (SHANGHAI) CORPORATION, OR ITS AGENT, AG-I MOTORTEC INC. - ALL RIGHTS RESERVED



AG-I MOTORTEC INC.,

DESCRIPTION
TU23C TU25C TU27C TC23C TC25C &TC27C OUTLINE

SIZE A3 DWG NO
SCALE 1:2 SHEET