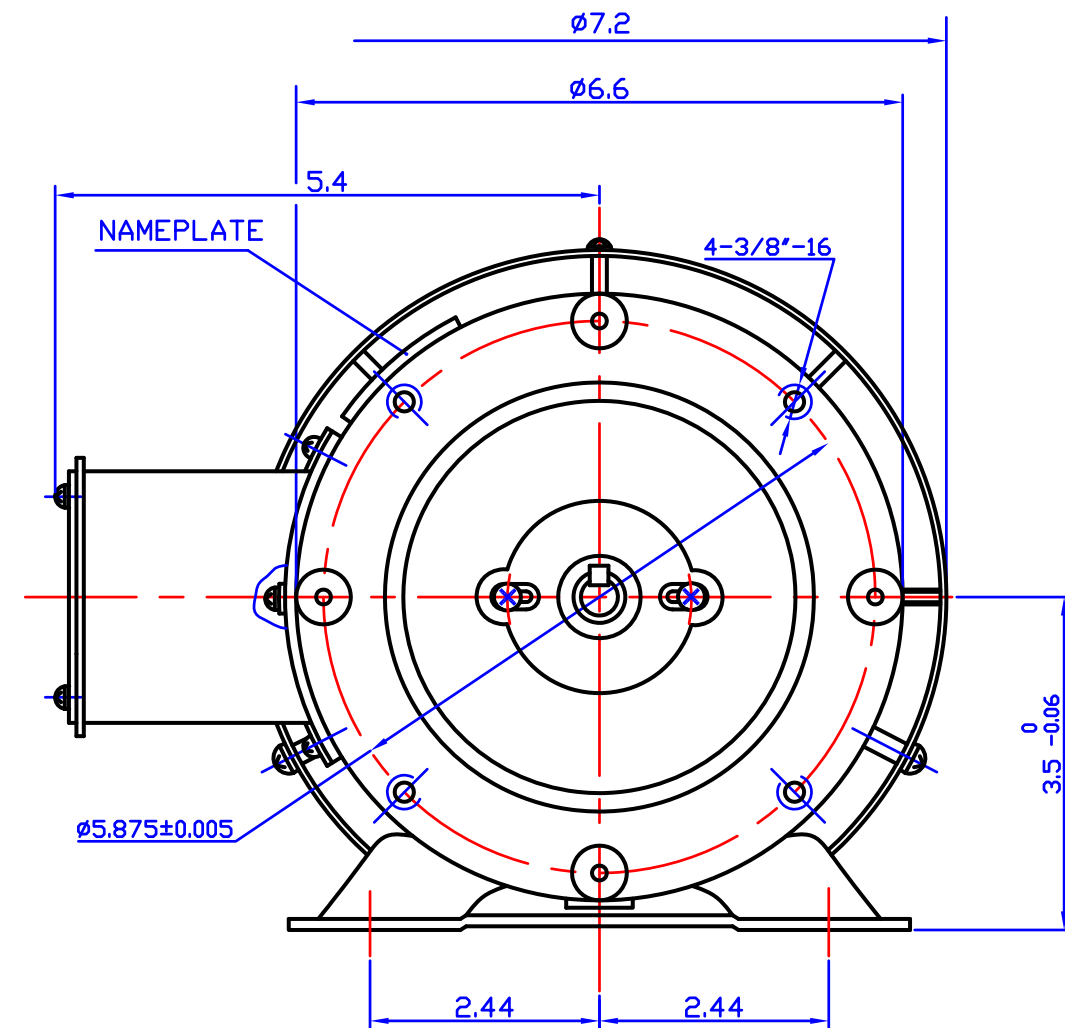
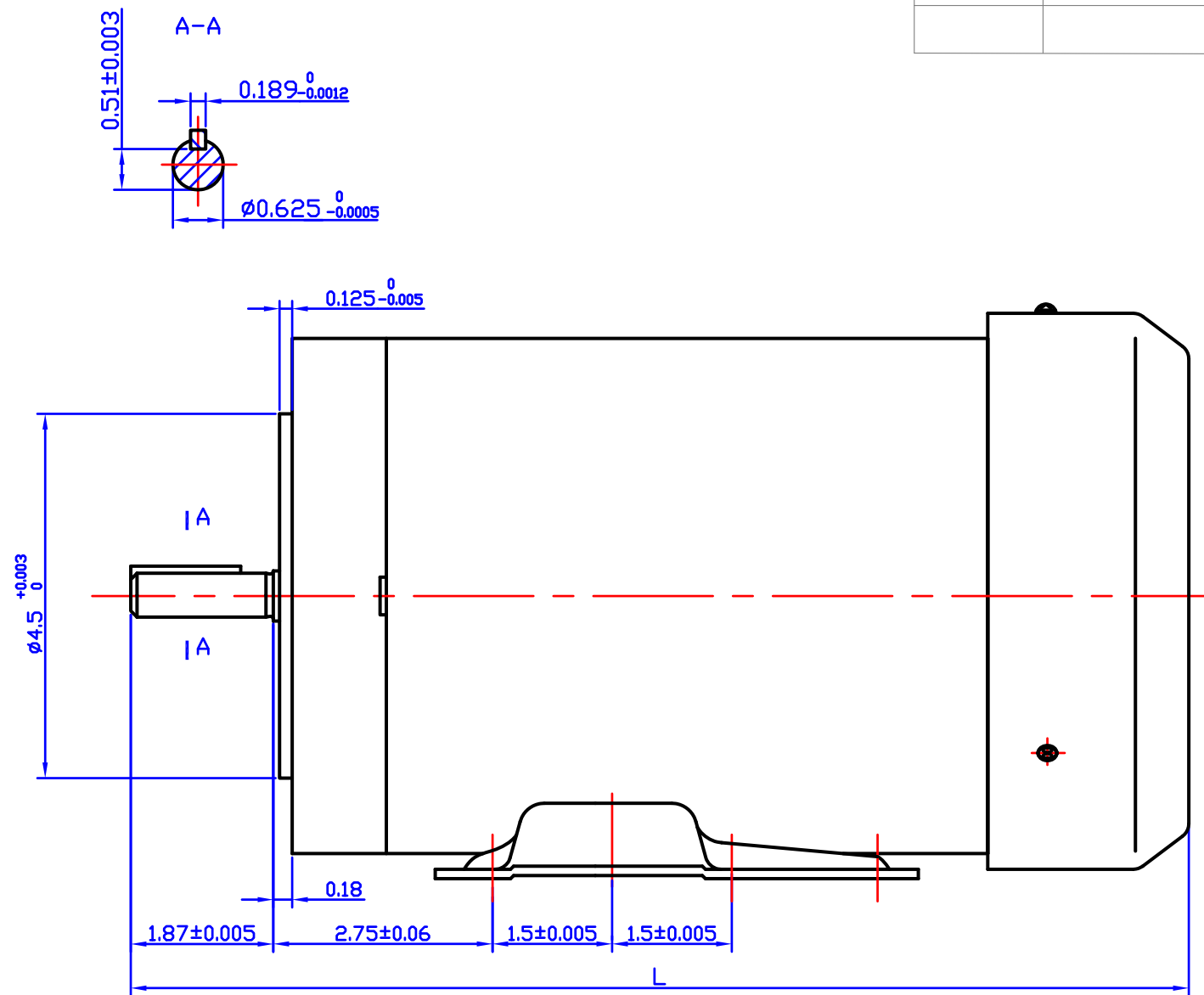
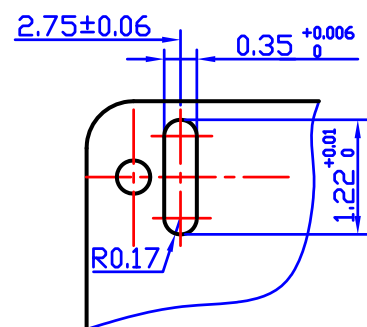


REV	ECO	REV BY	DATE	APPD	DATE



D ↑

direction D



REF.NO.	IND#	HP	60Hz VOLT	50Hz VOLT	POLE	FRAME	ENCLOSURE	thermal protector	L
T102UF5FNP5	TU210C	1/0.75	208-230/460	190/380	2P	56C	TEFC	NONE	12.8
T152UF5FNP5	TU215C	1.5/1	208-230/460	190/380	2P	56C	TEFC	NONE	12.8
T202UF5FNP5	TU220C	2/1.5	208-230/460	190/380	2P	56C	TEFC	NONE	13.2
T102CF5FNP5	TC210C	1	575	/	2P	56C	TEFC	NONE	12.8
T152CF5FNP5	TC215C	1.5	575	/	2P	56C	TEFC	NONE	12.8
T202CF5FNP5	TC220C	2	575	/	2P	56C	TEFC	NONE	13.2

DR BY:
APPD:



AG-I MOTORTEC INC.,

FIRST ANGLE PROJECTION

EDS DATE
VERSION

DESCRIPTION
TU210C TU215C TU220C TC210C TC215C & TC200C OUTLINE

CONFIDENTIAL PROPERTY OF GW ELECTRIC (SHANGHAI) CORPORATION AND ARE NOT TO BE DISCLOSED, DUPLICATED, OR OTHERWISE USED WITHOUT THE WRITTEN CONSENT OF GW ELECTRIC (SHANGHAI) CORPORATION, OR ITS AGENT, AG-I MOTORTEC INC. - ALL RIGHTS RESERVED

SIZE A3 DWG NO
SCALE 1:2 SHEET