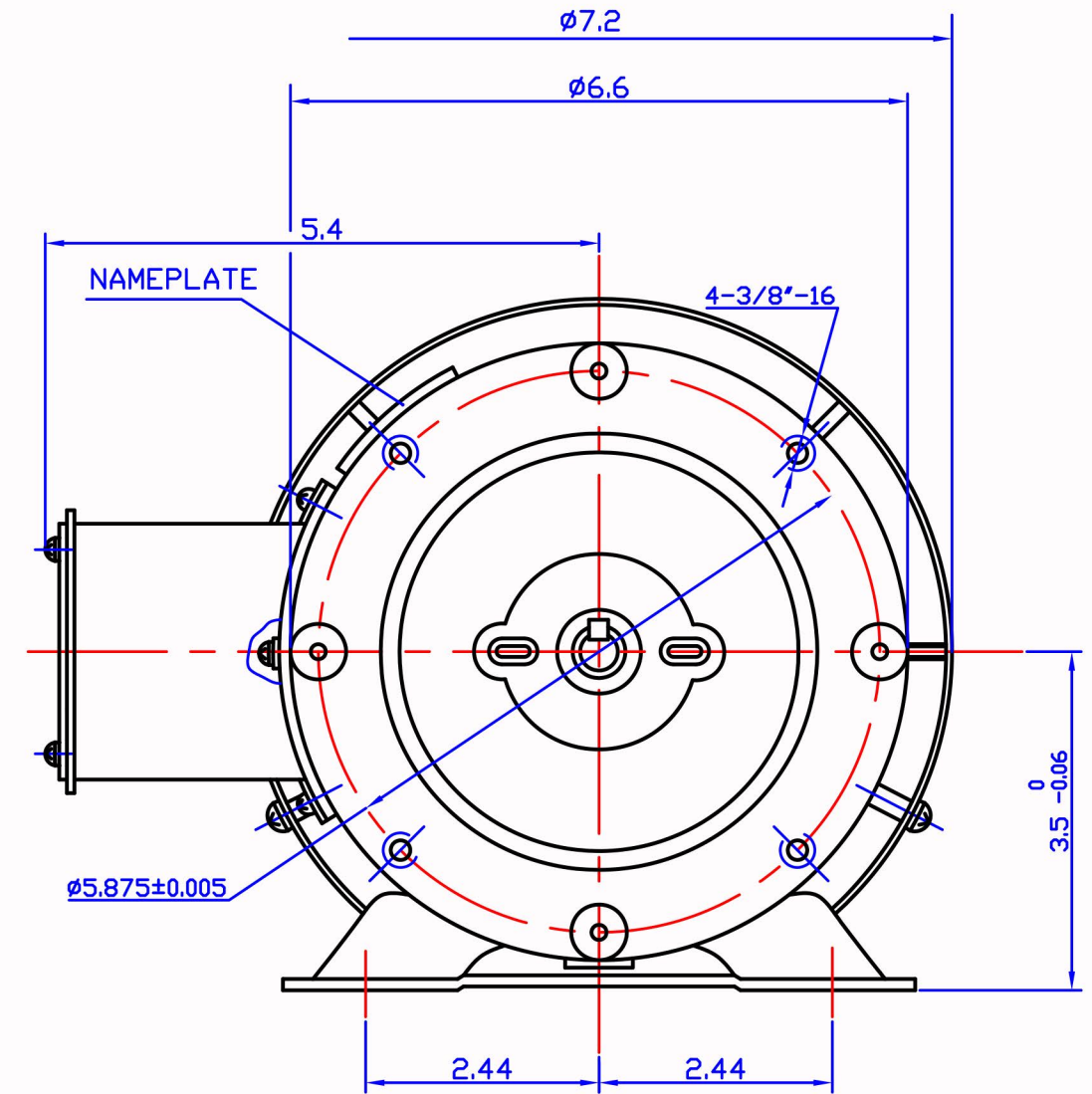
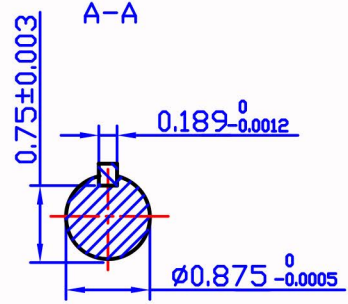
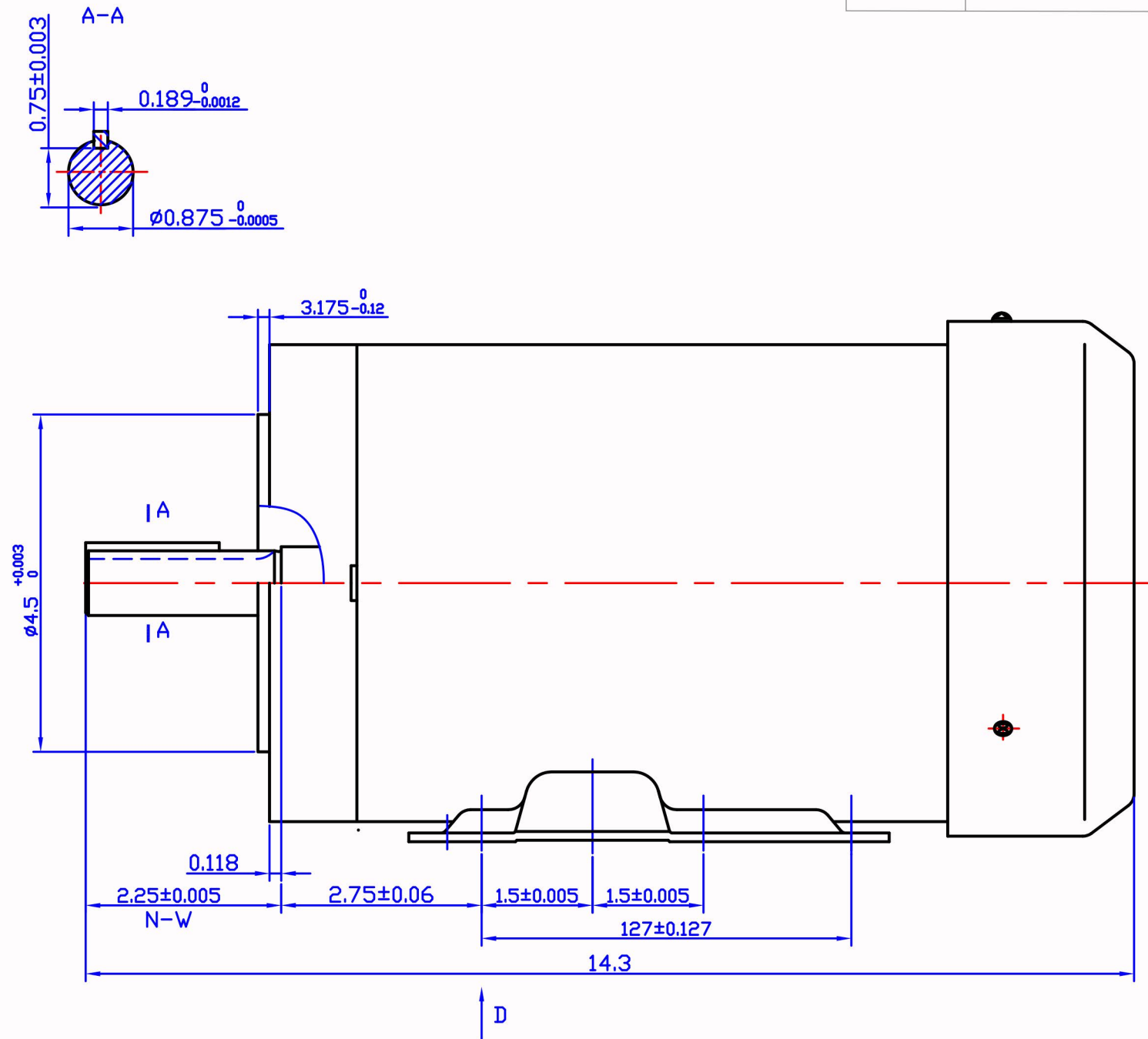
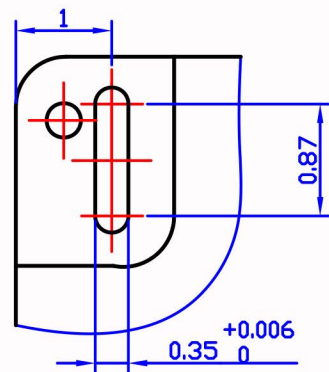


REV	ECO	REV BY	DATE	APPD	DATE



DIRECTION D



AG-I MODEL .No.	FRAME	HP	VOLT	Hz	RPM	PH	S.F.	INSL.	Thermally Protector	endclose	DUTY
GWR1.5-4-575-145TC	145TC	1.5	575	60	1745	3	1.15	F	NONE	TEFC	CONT.

DR BY:	
APPD:	

FIRST ANGLE PROJECTION	EDS DATE
	VERSION

CONFIDENTIAL PROPERTY OF GW ELECTRIC (SHANGHAI) CORPORATION AND ARE NOT TO BE DISCLOSED, DUPLICATED, OR OTHERWISE USED WITHOUT THE WRITTEN CONSENT OF GW ELECTRIC (SHANGHAI) CORPORATION, OR ITS AGENT, AG-I MOTORTEC INC. - ALL RIGHTS RESERVED

 AG-I MOTORTEC INC. ,	
DESCRIPTION	
TC03CE GWR1.5-4-575-145TC	
SIZE	DWG NO
A3	
SCALE	SHEET
1:2	