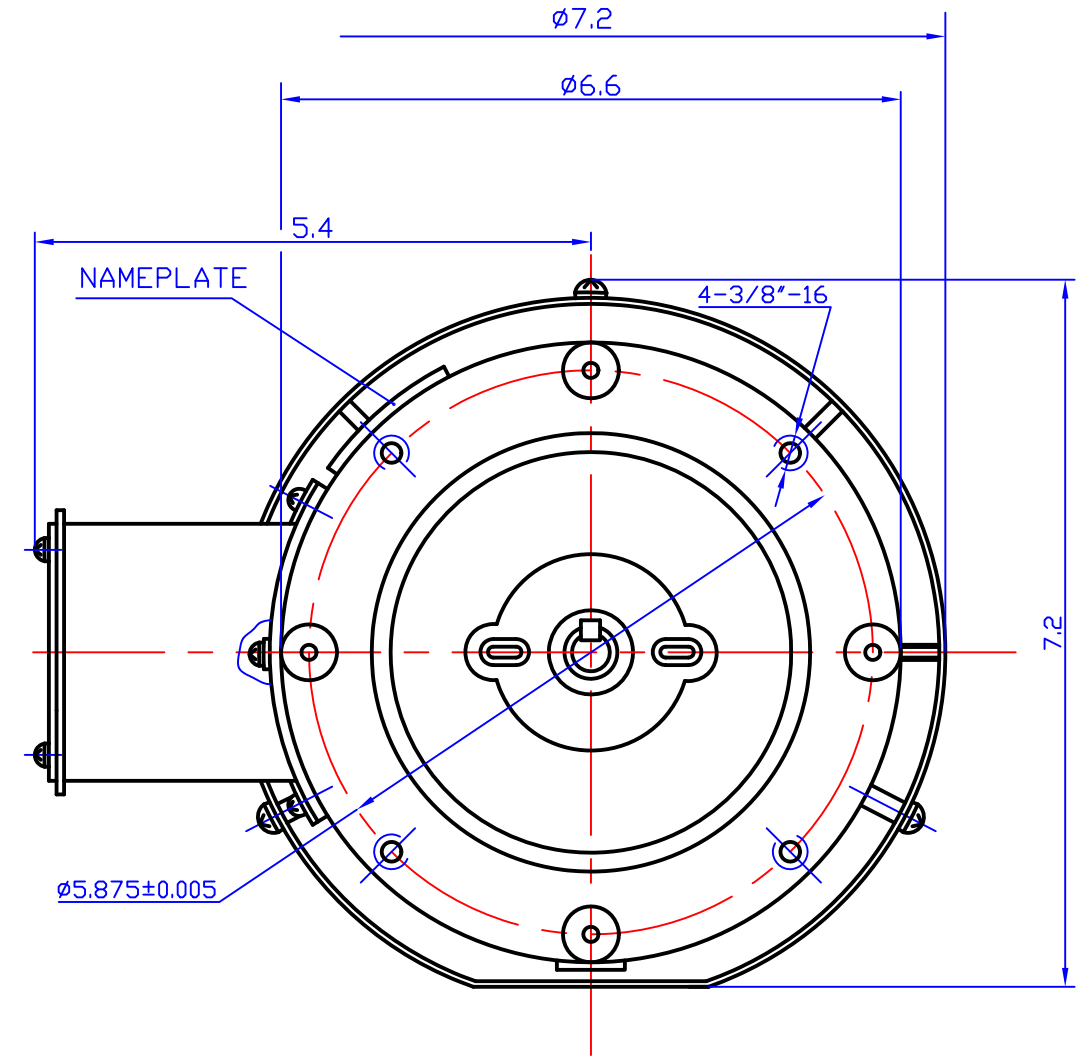
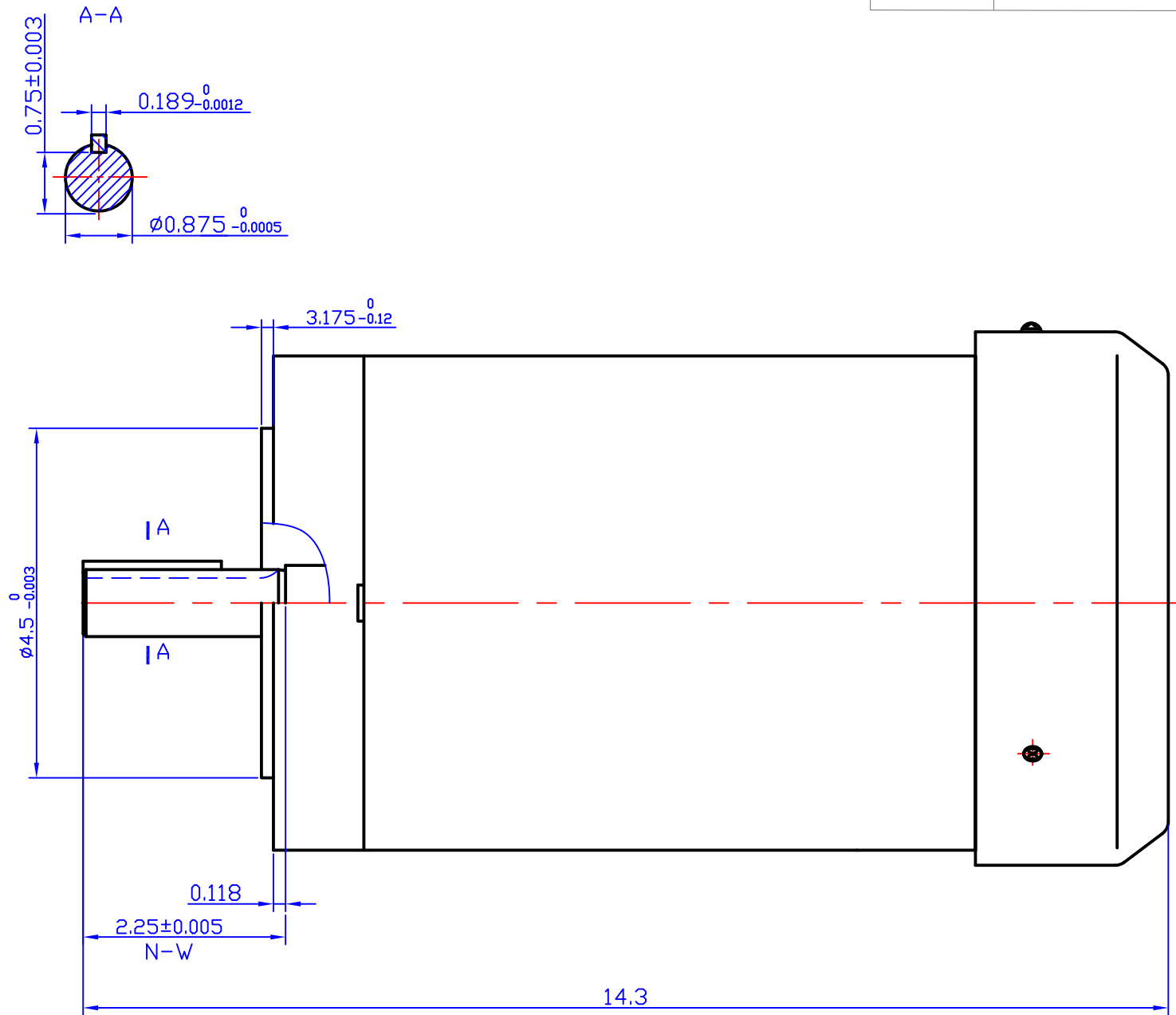


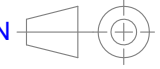
REV	ECO	REV BY	DATE	APPD	DATE




AG-I MODEL .No.	FRAME	HP	VOLT	Hz	RPM	PH	S.F.	INSL.	Thermally Protector	endclose	DUTY
GWR2-4-145TCR	145TC	2,15	208-230/460,190/380	60,50	1745,1425	3	1,15	F	NONE	TEFC	CONT.
GWR2-4-575-145TCR	145TC	2,15	575	60,50	1745,1425	3	1,15	F	NONE	TEFC	CONT.

DR BY:

APPD:

FIRST ANGLE PROJECTION  EDS DATE
VERSION

CONFIDENTIAL PROPERTY OF GW ELECTRIC (SHANGHAI) CORPORATION AND ARE NOT TO BE DISCLOSED, DUPLICATED, OR OTHERWISE USED WITHOUT THE WRITTEN CONSENT OF GW ELECTRIC (SHANGHAI) CORPORATION, OR ITS AGENT, AG-I MOTORTEC INC. - ALL RIGHTS RESERVED



AG-I MOTORTEC INC. ,

DESCRIPTION

TC02CER,TU02CER OUTLINE DRAWING

SIZE	A3	DWG NO	
SCALE	1:2	SHEET	