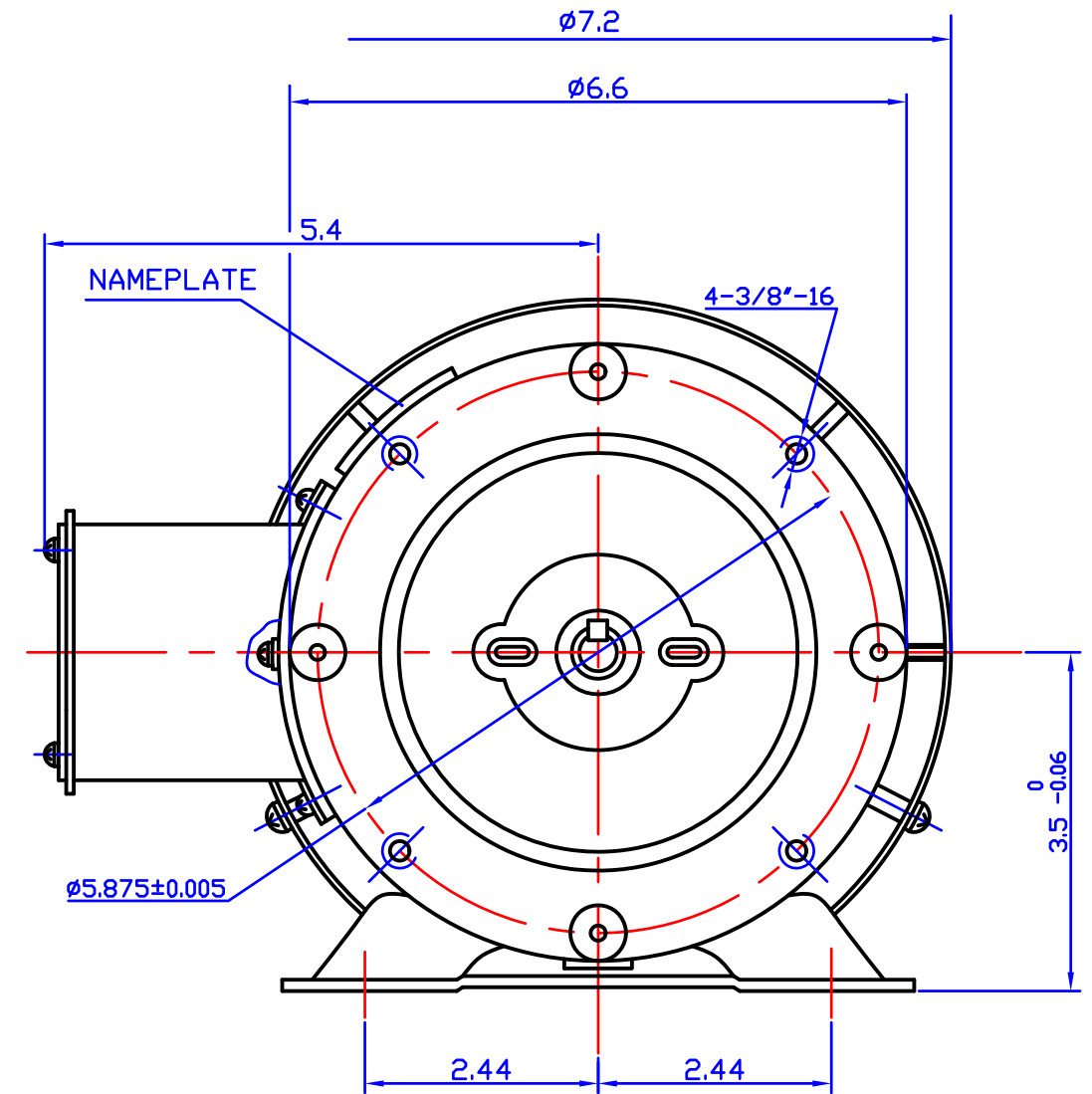
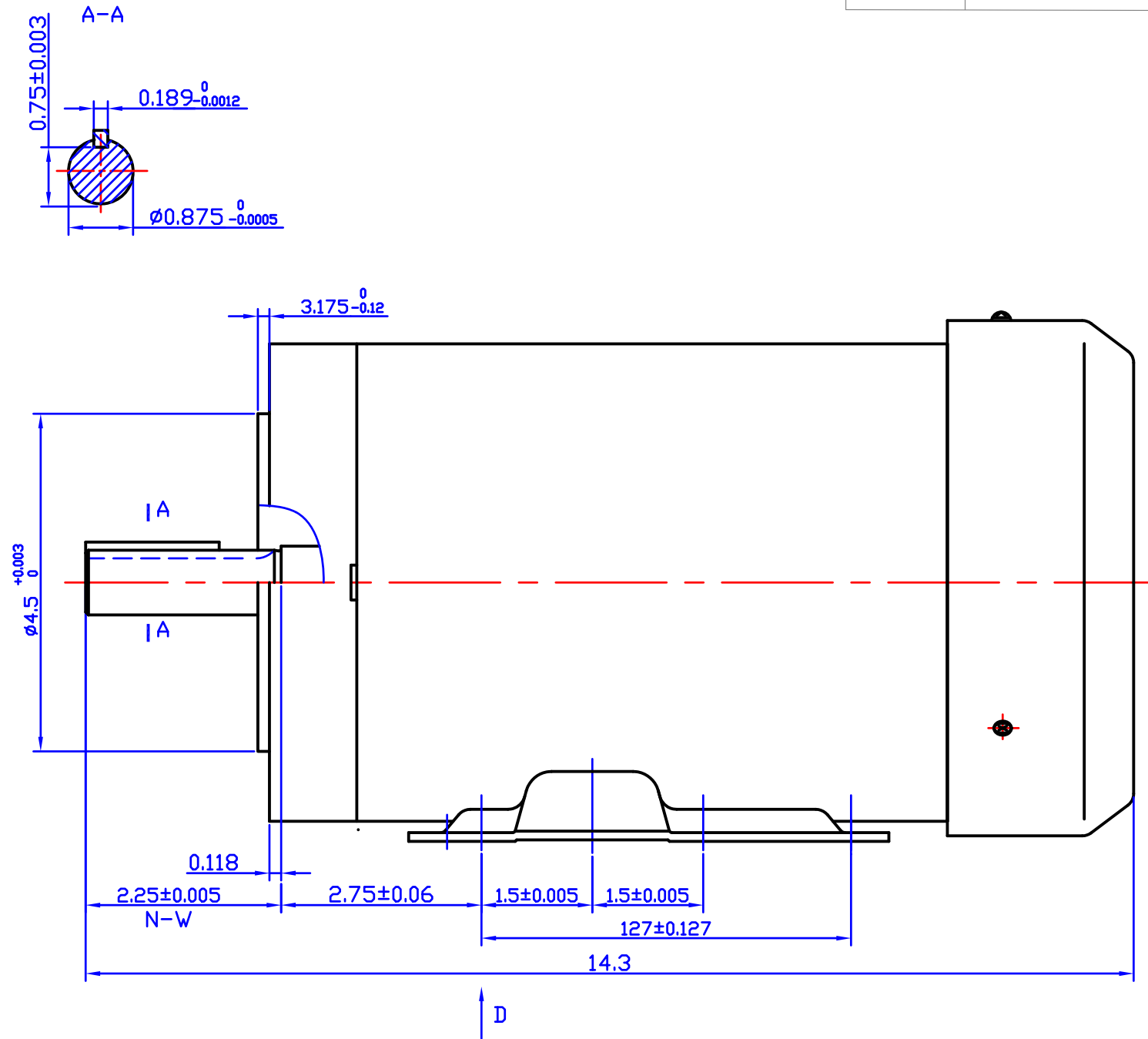
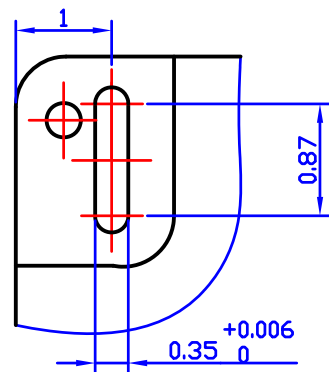


REV	ECO	REV BY	DATE	APPD	DATE



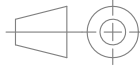
DIRECTION D



AG-I MODEL No.	FRAME	HP	VOLT	Hz	RPM	PH	S.F.	INSL.	Thermally Protector	endclose	DUTY
GWR2-4-575-145TC	145TC	2	575	60	1745	3	1.15	F	NONE	TEFC	CONT.

DR BY:

APPD:

FIRST ANGLE PROJECTION  EDS DATE
VERSION

CONFIDENTIAL PROPERTY OF GW ELECTRIC (SHANGHAI) CORPORATION AND ARE NOT TO BE DISCLOSED, DUPLICATED, OR OTHERWISE USED WITHOUT THE WRITTEN CONSENT OF GW ELECTRIC (SHANGHAI) CORPORATION, OR ITS AGENT, AG-I MOTORTEC INC. - ALL RIGHTS RESERVED



AG-I MOTORTEC INC. ,

DESCRIPTION

TC02CE GWR2-4-575-145TC

SIZE	DWG NO
A3	
SCALE	SHEET
1:2	