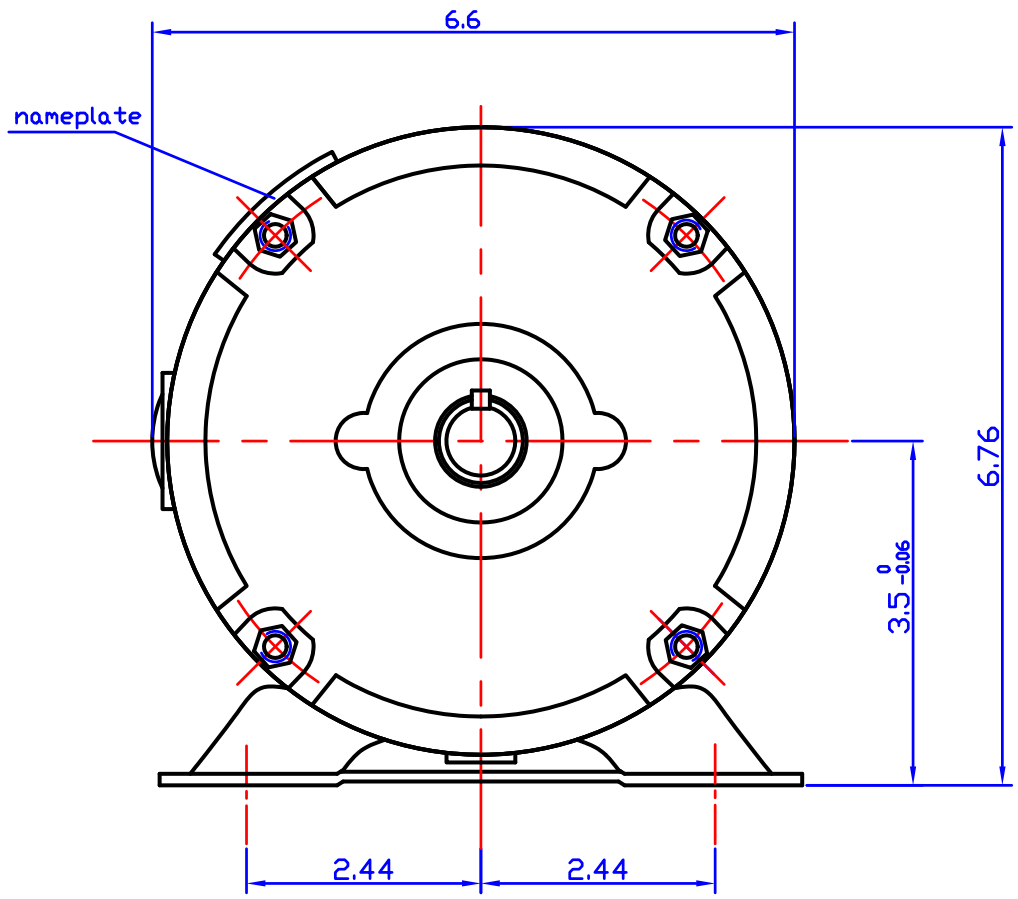
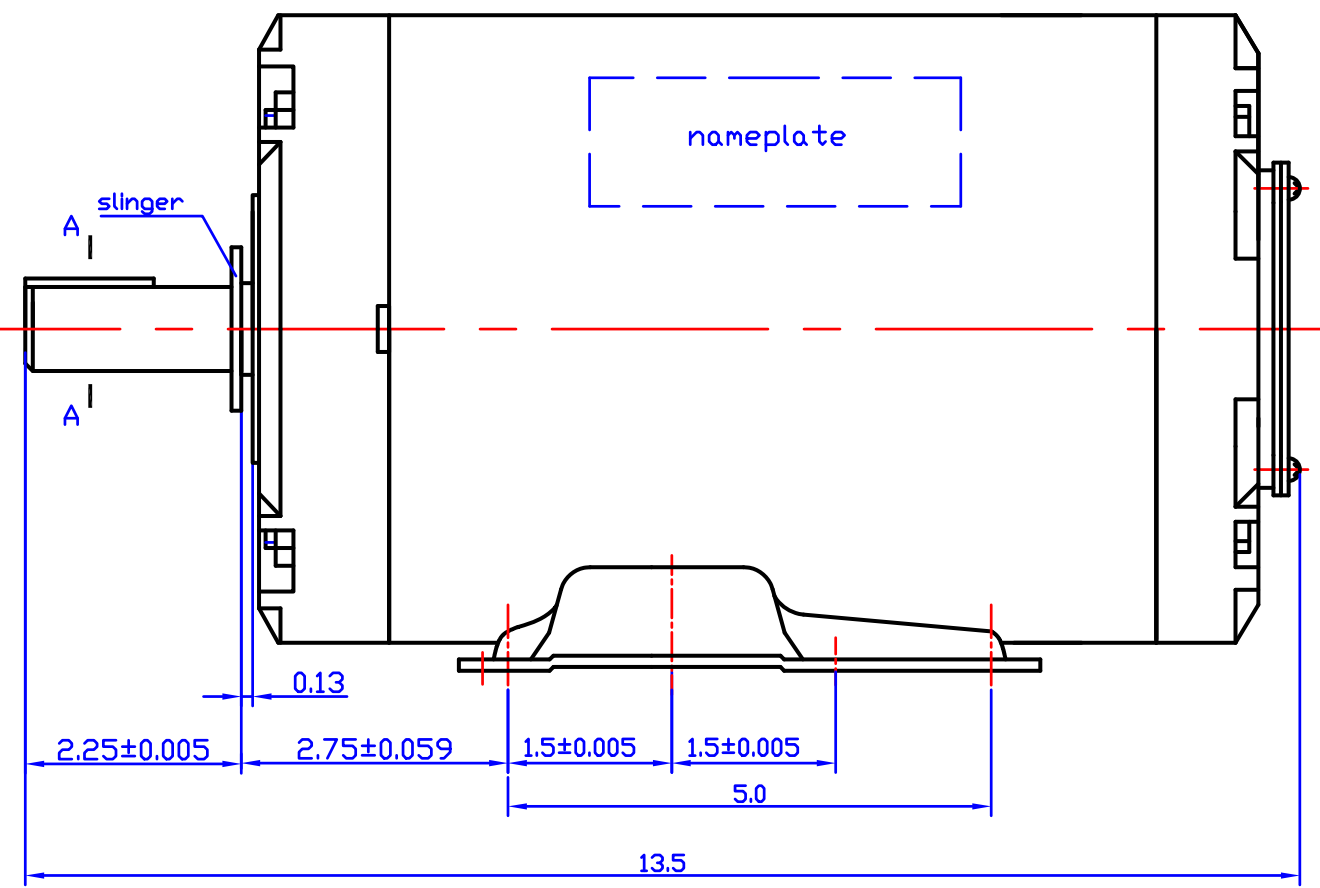
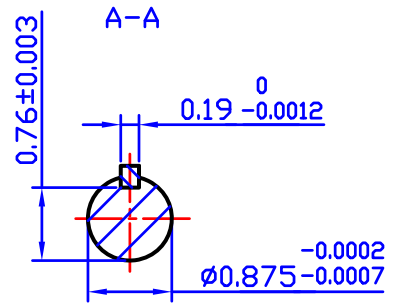


REV	ECO	REV BY	DATE	APPD	DATE



<b>AG-I</b>		<b>TEAO</b>	
IND# TC02A	REF. NO. T204CA7BAP7	V 575	V
HP 2.0	HZ 60	RPM 1750	P.F. 78
PH 3	AUTO THERMALLY PROTECTED	CWJ50KR	EFF% 86.5
FRAME 145T	DUTY CONT.	DES.	
TYPE T	MAX. AMB. °C 40	S.F. 1.15	
DATE	INS. CLASS F	CODE	
AG-I MotorTec Inc., East Garafraxa, ON, Canada L9W 7L8		GW ELECTRIC (SHA) Made in China	

IND #	AG-I MODEL .No.	FRAME	HP	VOLTS	Hz	RPM	PH	S.F.	INSL.	Thermally Protector	endclose	DUTY
TC02A	T204CA7BAP7	145T	2	575	60	1750	3	1.15	F	CWJ50KR	TEAD	CONT.

DR BY: Xiaoli Ma  
 APPD:



AG-I MOTORTEC INC.,

FIRST ANGLE PROJECTION EDS DATE 4.17.2024  
 VERSION

DESCRIPTION  
 TC02A T204CA7BAP7 OUTLINE

CONFIDENTIAL PROPERTY OF GW ELECTRIC (SHANGHAI) CORPORATION AND ARE NOT TO BE DISCLOSED, DUPLICATED, OR OTHERWISE USED WITHOUT THE WRITTEN CONSENT OF GW ELECTRIC (SHANGHAI) CORPORATION, OR ITS AGENT, AG-I MOTORTEC INC. - ALL RIGHTS RESERVED

SIZE A3 DWG NO  
 SCALE 1:2 SHEET