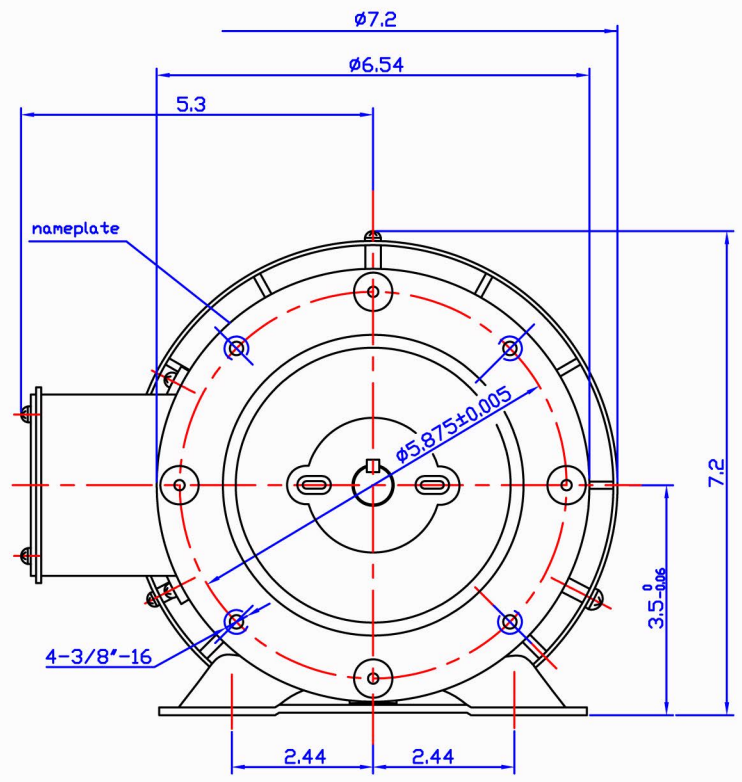
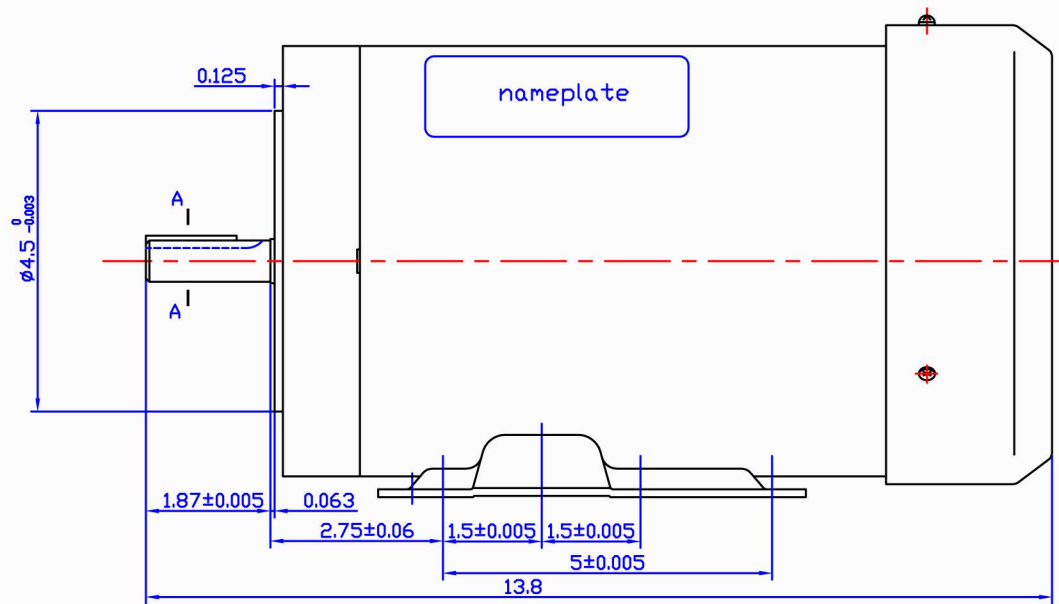
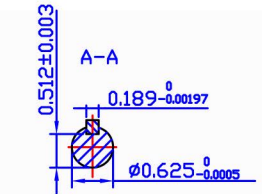

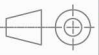


REV	ECO	REV BY	DATE	APPD	DATE



IND#	FRAME	PH	HP	Pole	RPM	Hz	Volt	thermal protector	S.F	INSL.	EFF
T893CE	56C	3	1.5	4	1725	60	5 5	NONE.	1.15	F	86.5%

DR BY:		 <b>AG-I MOTORTEC INC.,</b>
APPD:		
FIRST ANGLE PROJECTION 	EDS DATE VERSION	DESCRIPTION <b>T444CE OUTLINE</b>
CONFIDENTIAL PROPERTY OF GW ELECTRIC (SHANGHAI) CORPORATION AND ARE NOT TO BE DISCLOSED, DUPLICATED, OR OTHERWISE USED WITHOUT THE WRITTEN CONSENT OF GW ELECTRIC (SHANGHAI) CORPORATION, OR ITS AGENT, AG-I MOTORTEC INC. - ALL RIGHTS RESERVED		SIZE <b>A3</b> DWG NO SCALE <b>1:2</b> SHEET