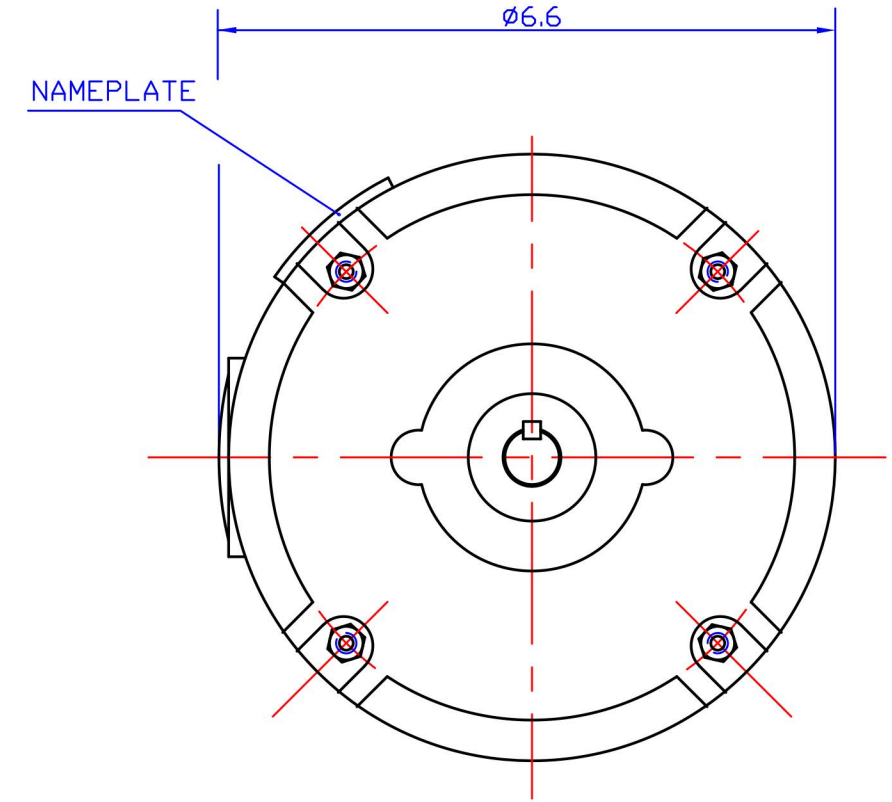
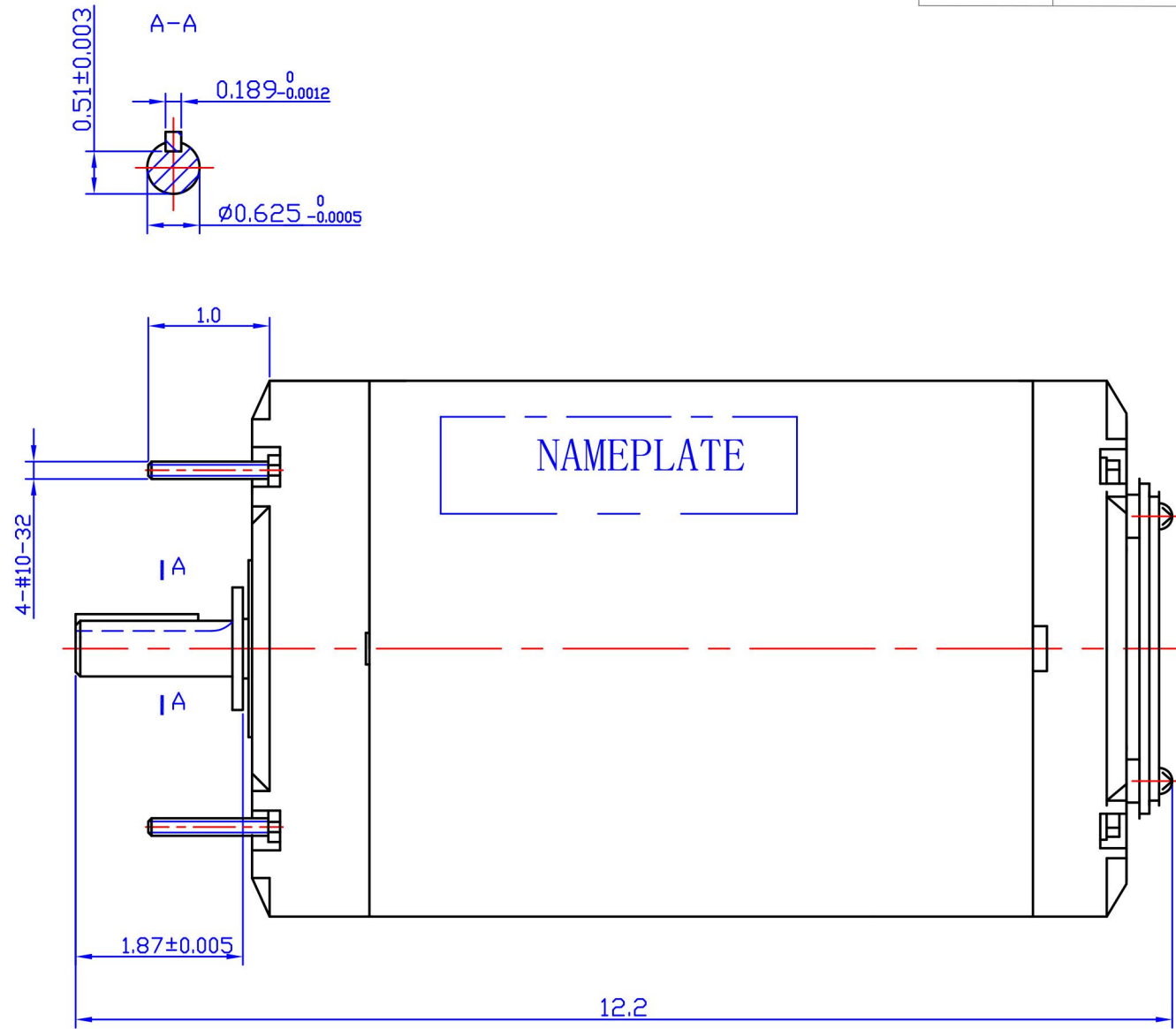

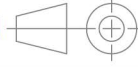


REV	ECO	REV BY	DATE	APPD	DATE



AGI REF.NO.	IND#	HP	VOLT	Hz	POLE	FRAME	ENCLOSURE	C
GWR1-4-N56	T635	1	230/460	60	4P	56	TEAO	12.2
GWR1-4-575-N56	T606	1	575	60	4P	56	TEAO	12.2

DR BY:		 AG-I MOTORTEC INC. ,
APPD:		
FIRST ANGLE PROJECTION 	EDS DATE VERSION	DESCRIPTION TEAO OUTLINE
CONFIDENTIAL PROPERTY OF GW ELECTRIC (SHANGHAI) CORPORATION AND ARE NOT TO BE DISCLOSED, DUPLICATED, OR OTHERWISE USED WITHOUT THE WRITTEN CONSENT OF GW ELECTRIC (SHANGHAI) CORPORATION, OR ITS AGENT, AG-I MOTORTEC INC. - ALL RIGHTS RESERVED		SIZE A3 DWG NO
		SCALE 1:2 SHEET