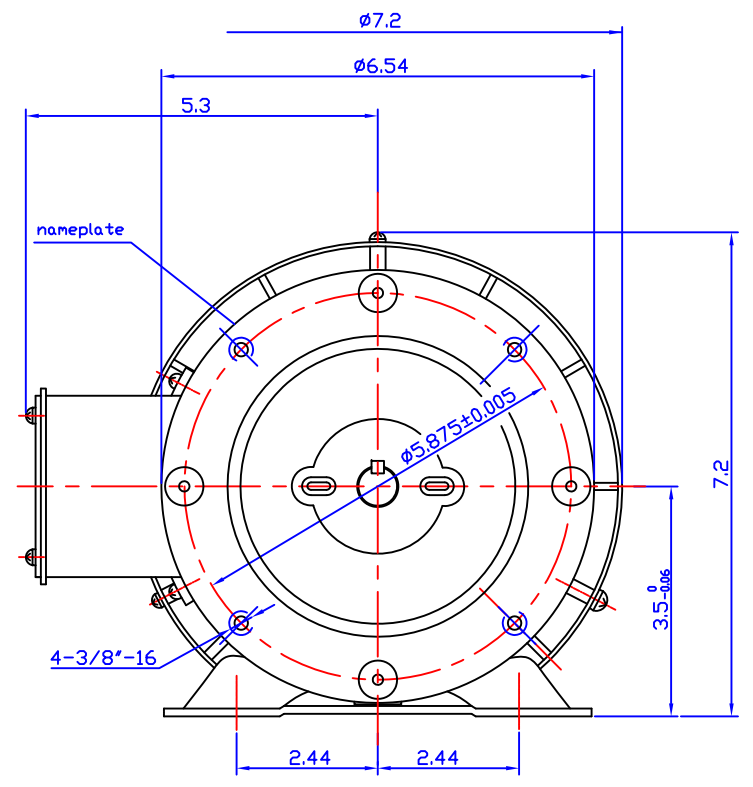
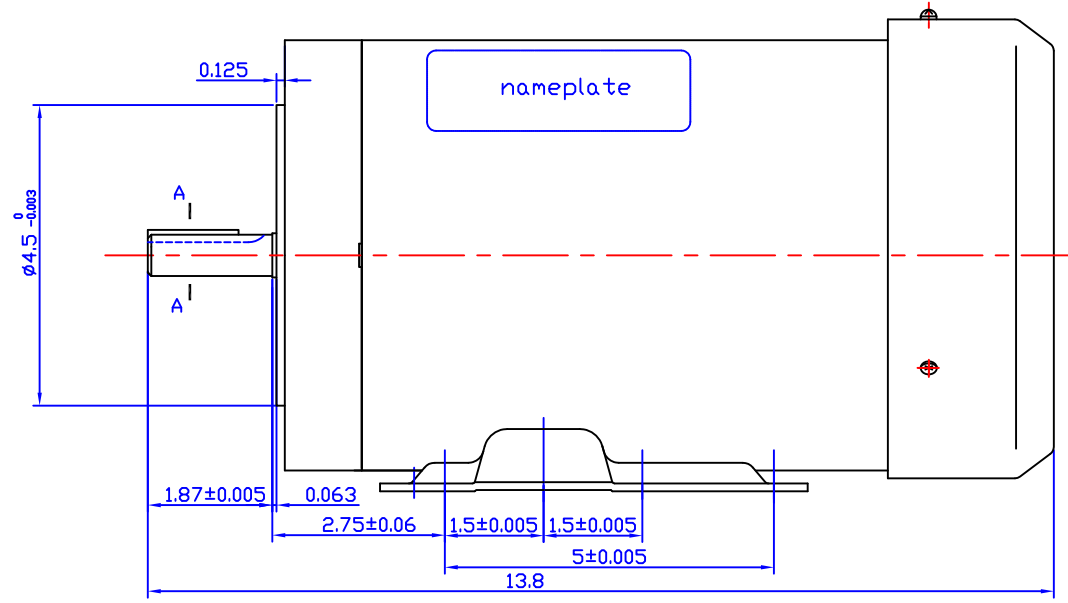
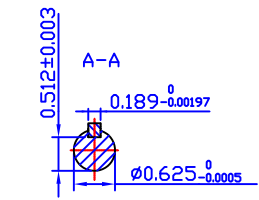


REV	ECO	REV BY	DATE	APPD	DATE



IND#	FRAME	PH	HP	Pole	RPM	Hz	Volt	thermal protector	S.F	INSL.	EFF
T444CE	56C	3	1.5	4	1725	60	208-230/460	NONE.	1.15	F	86.5%

DR BY:	
APPD:	
FIRST ANGLE PROJECTION	EDS DATE VERSION
CONFIDENTIAL: THIS DRAWING AND ITS INFORMATION ARE THE EXCLUSIVE AND CONFIDENTIAL PROPERTY OF GW ELECTRICAL (SHANGHAI) CORPORATION AND ARE NOT TO BE DISCLOSED, DUPLICATED, DISTRIBUTED OR OTHERWISE USED WITHOUT THE WRITTEN CONSENT OF GW ELECTRICAL (SHANGHAI) CORPORATION. -ALL RIGHTS RESERVED.	

AG-I MOTORTEC INC.,

DESCRIPTION

T444CE OUTLINE

SIZE	A3	DWG NO	
SCALE	1:2		SHEET