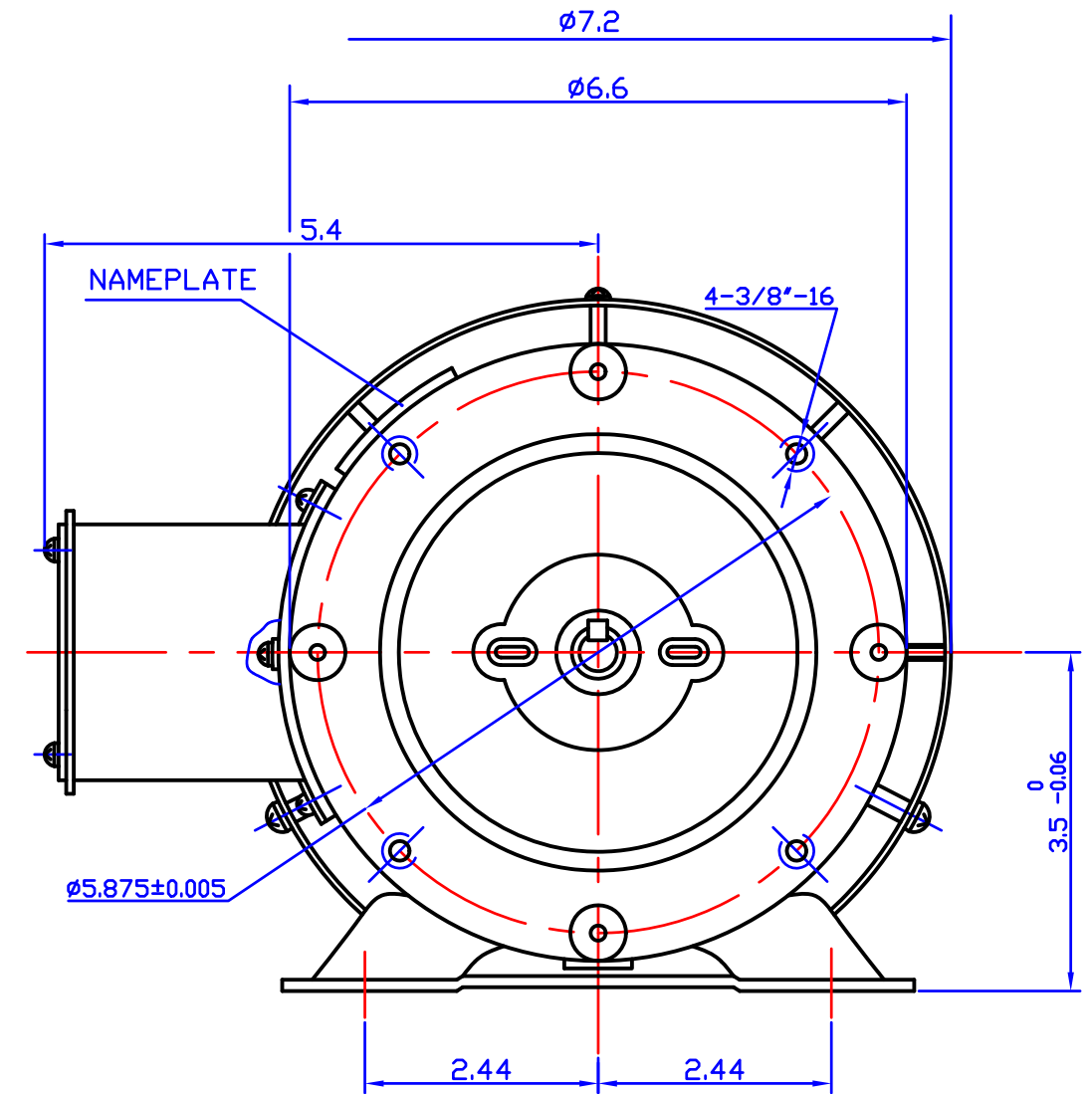
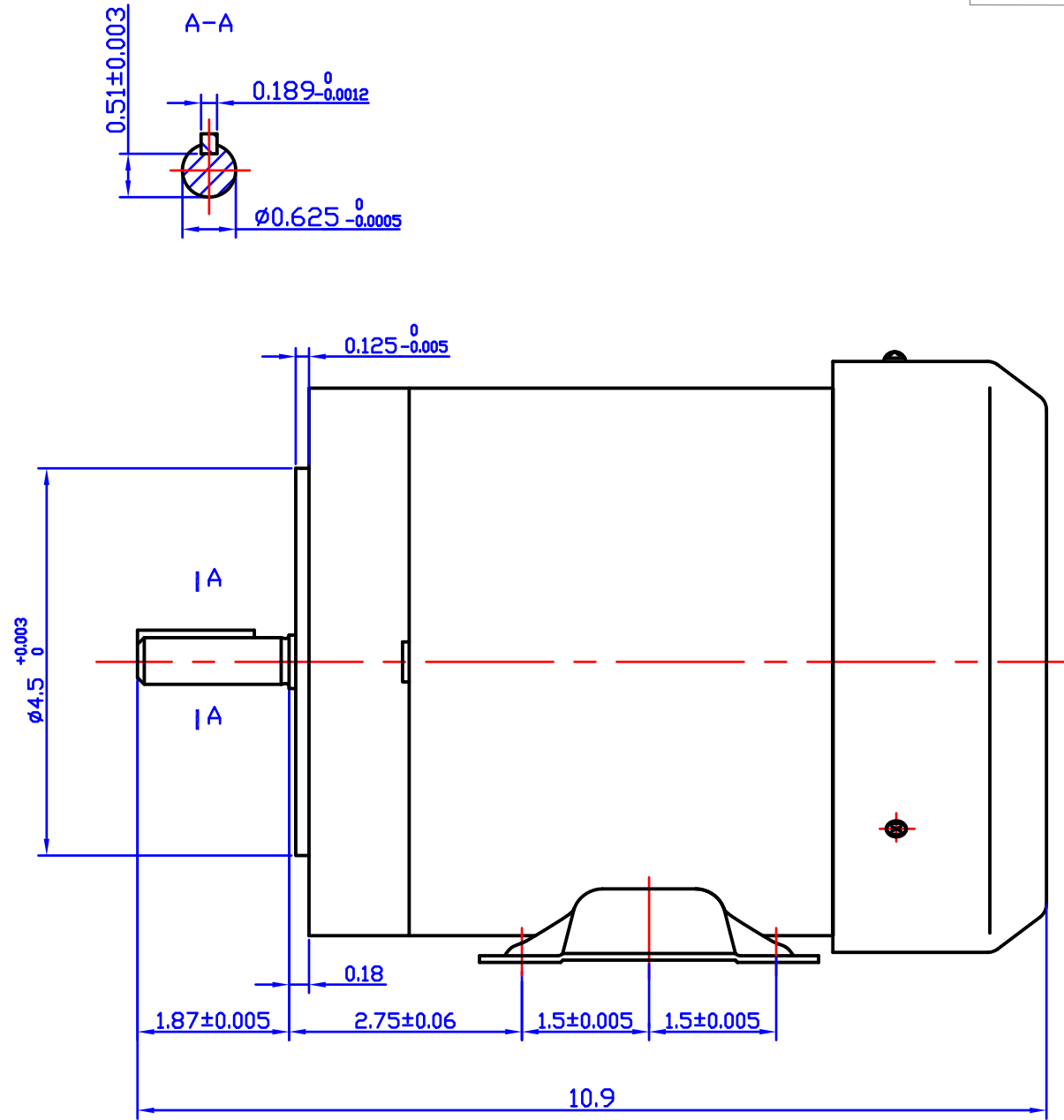

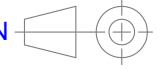


| | | | | | |
|-----|-----|--------|------|------|------|
| REV | ECO | REV BY | DATE | APPD | DATE |
| | | | | | |



| AG-I MODEL No. | FRAME | HP | VOLTS | Hz | RPM | PH | S.F. | INSL. | Thermally Protector | endclose | DUTY |
|----------------|-------|-----|-------|----|------|----|------|-------|---------------------|----------|-------|
| T334CF5FN00 | 56H | 1/3 | 575 | 60 | 1725 | 3 | 1.15 | F | NONE | TEFC | CONT. |

| | | |
|--|---------------------|---|
| DR BY: | |  AG-I MOTORTEC INC. , |
| APPD: | | |
| FIRST ANGLE PROJECTION  | EDS DATE VERSION | DESCRIPTION T212C T334CF5FN00 |
| CONFIDENTIAL PROPERTY OF GW ELECTRIC (SHANGHAI) CORPORATION AND ARE NOT TO BE DISCLOSED, DUPLICATED, OR OTHERWISE USED WITHOUT THE WRITTEN CONSENT OF GW ELECTRIC (SHANGHAI) CORPORATION, OR ITS AGENT, AG-I MOTORTEC INC. - ALL RIGHTS RESERVED | | SIZE A3 DWG NO |
| | | SCALE 1:2 SHEET |