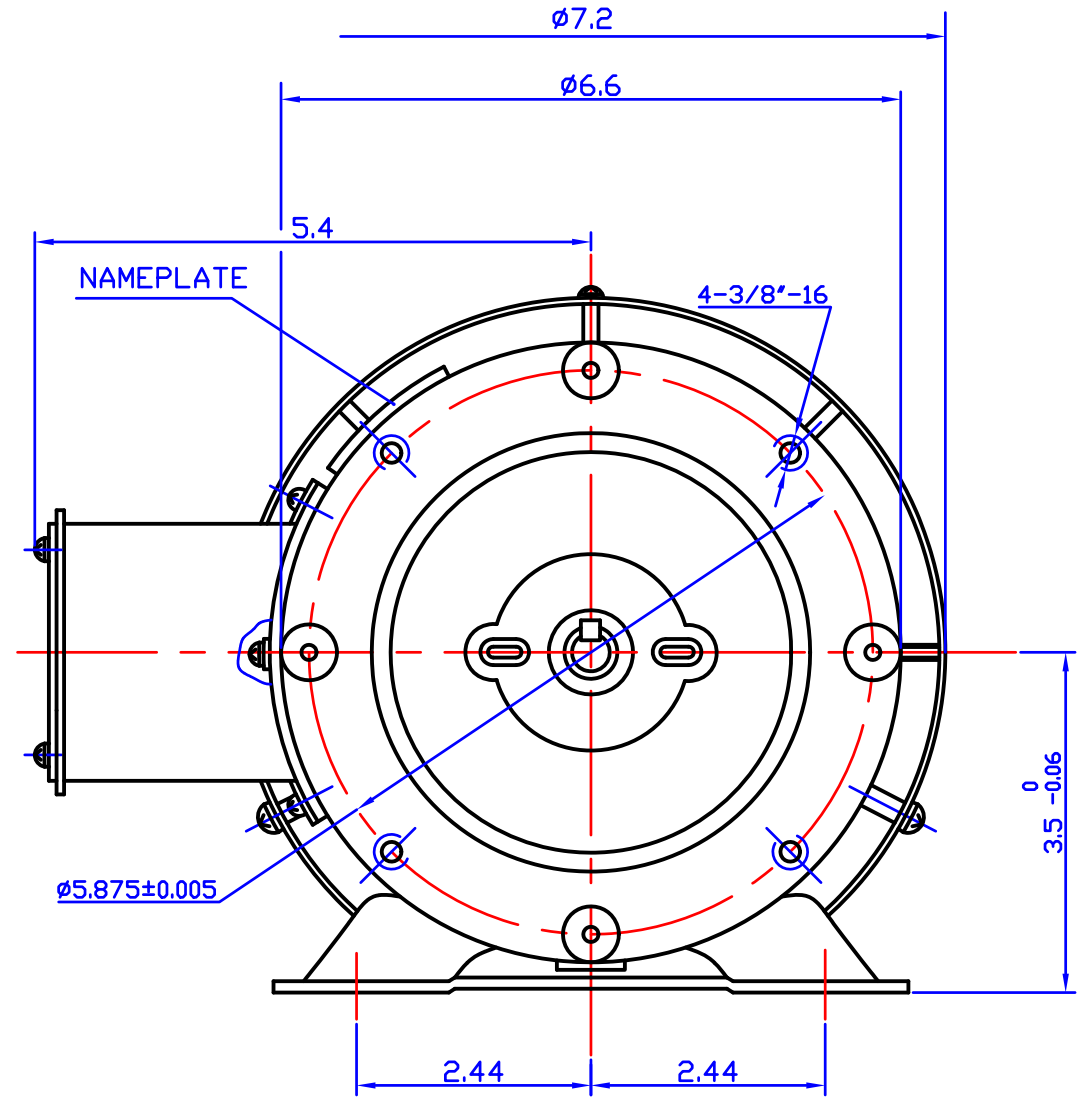
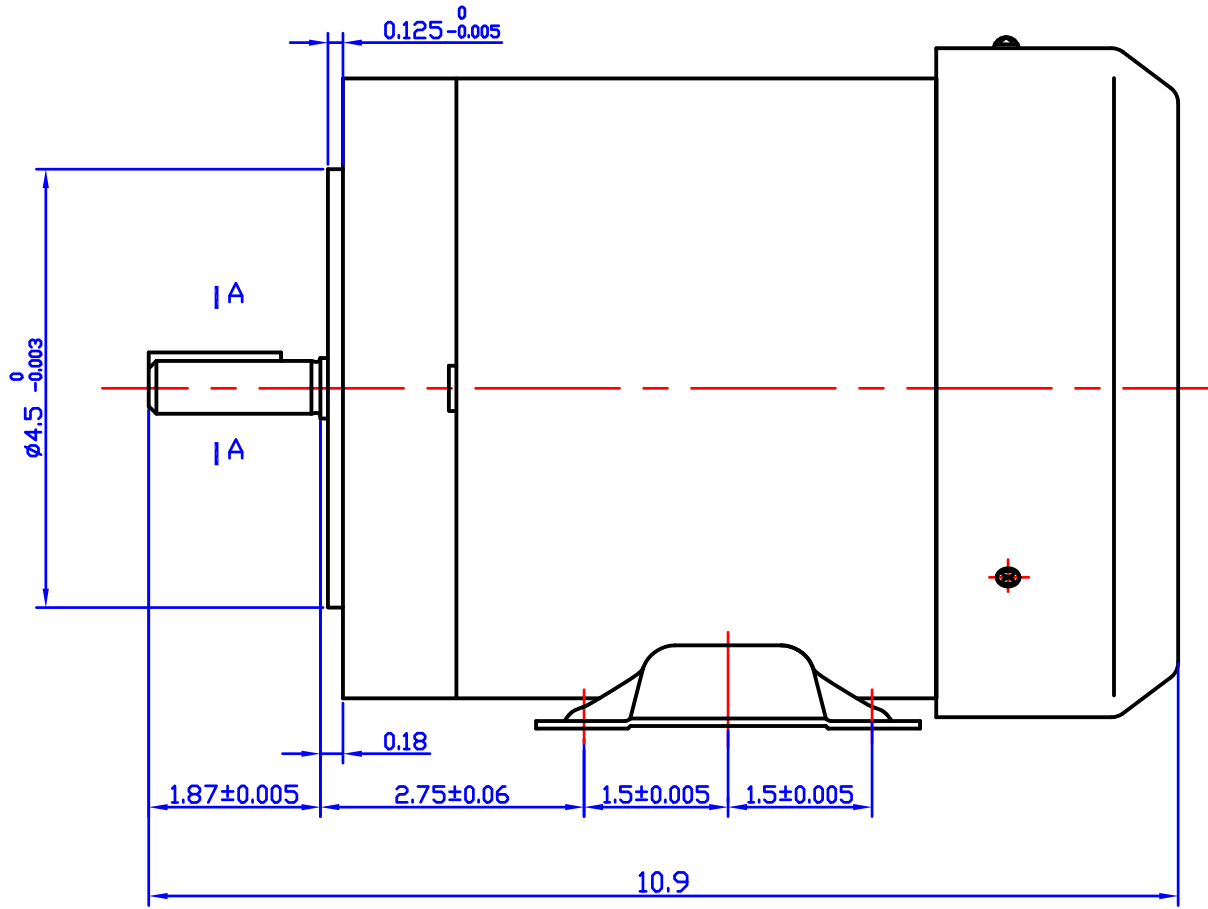
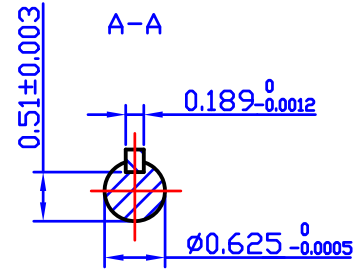


REV	ECO	REV BY	DATE	APPD	DATE



AG-I MODEL No.	FRAME	HP	VOLTS	Hz	RPM	PH	S.F.	INSL.	Thermally Protector	endclose	DUTY
T754CF5FN00	56C	3/4	575	60	1725	3	1.15	F	NONE	TEFC	CONT.

DR BY: _____

APPD: _____

FIRST ANGLE PROJECTION EDS DATE _____
VERSION _____

CONFIDENTIAL PROPERTY OF GW ELECTRIC (SHANGHAI) CORPORATION AND ARE NOT TO BE DISCLOSED, DUPLICATED, OR OTHERWISE USED WITHOUT THE WRITTEN CONSENT OF GW ELECTRIC (SHANGHAI) CORPORATION, OR ITS AGENT, AG-I MOTORTEC INC. - ALL RIGHTS RESERVED

AG-I MOTORTEC INC.,

DESCRIPTION
T178C T754CF5FN00

SIZE A3 DWG NO _____

SCALE 1:2 SHEET _____