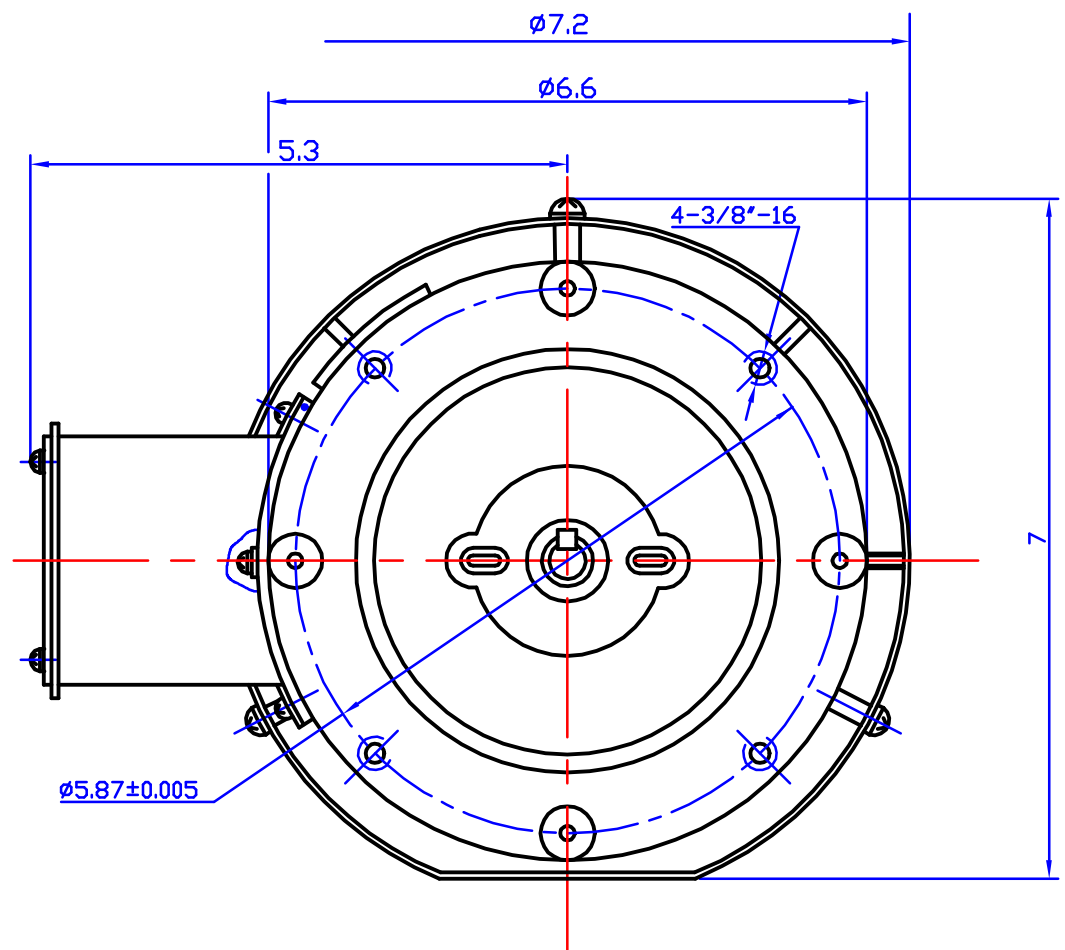
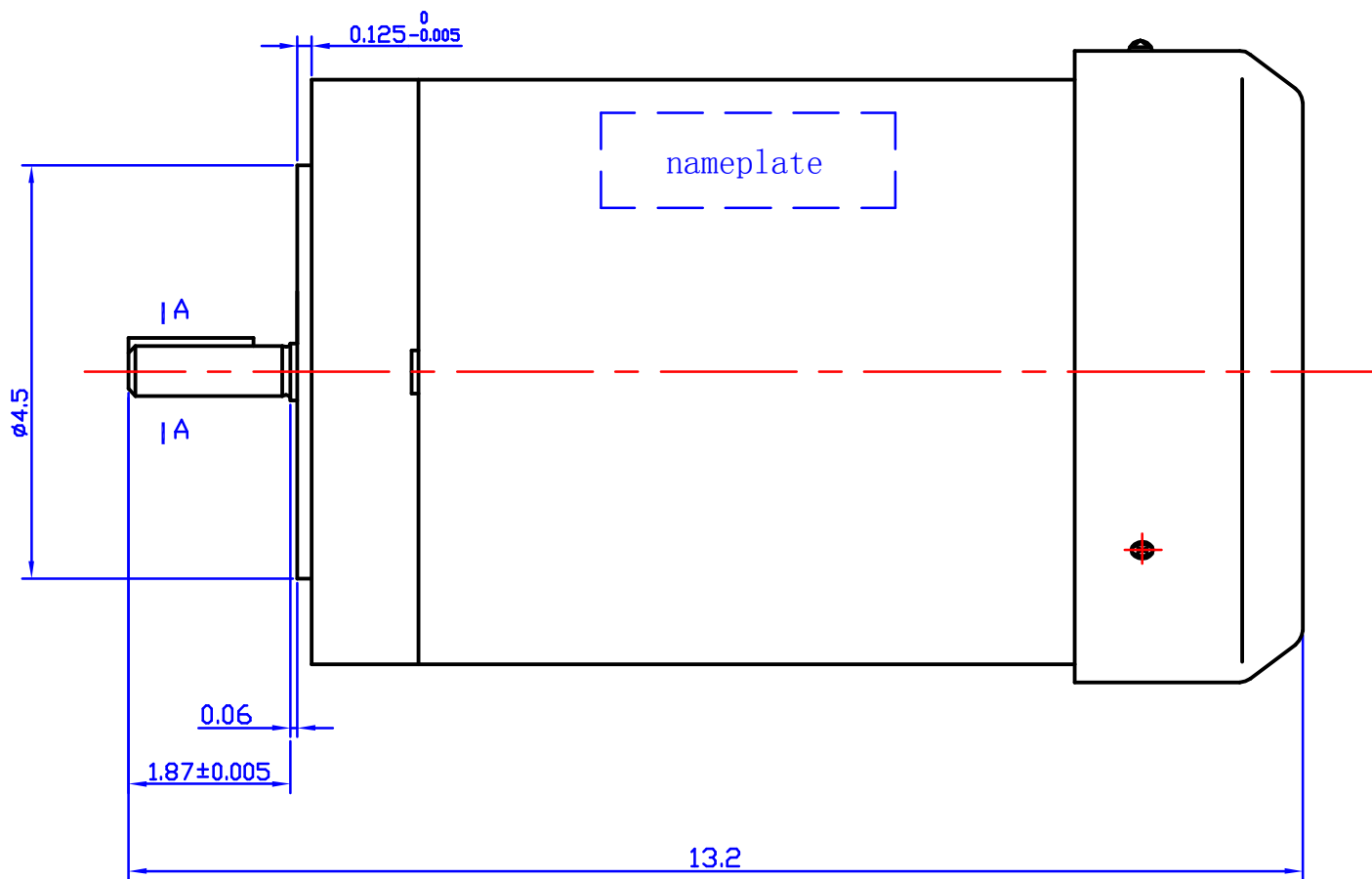
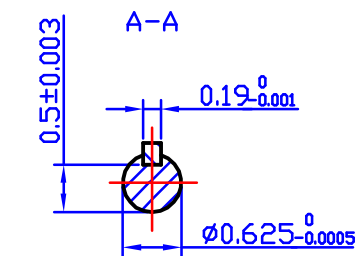




REV	ECO	REV BY	DATE	APPD	DATE



GW MODEL	IND#	REF Number	FRAME	Pole	PH	HP	RPM	Hz	Volt
YSA5674-BP	T048E	GWR1-4-N56C	56C	4	3	1.0/0.75	1745/1425	60/50	208-230/190 460/380
YSA5674-BP1	T204E	GWR1-4-575-N56C	56C	4	3	1.0	1745	60	575

DR BY:		 <b>AG-I MOTORTEC INC.,</b>
APPD:		
FIRST ANGLE PROJECTION 	EDS DATE VERSION	DESCRIPTION T048E T204E OUTLINE
CONFIDENTIAL: THIS DRAWING AND ITS INFORMATION ARE THE EXCLUSIVE AND CONFIDENTIAL PROPERTY OF GW ELECTRIC (SHANGHAI) CORPORATION AND ARE NOT TO BE DISCLOSED, DUPLICATED, DISTRIBUTED OR OTHERWISE USED WITHOUT THE WRITTEN CONSENT OF GW ELECTRIC (SHANGHAI) CORPORATION. -ALL RIGHTS RESERVED.		SIZE <b>A3</b> DWG NO SCALE SHEET