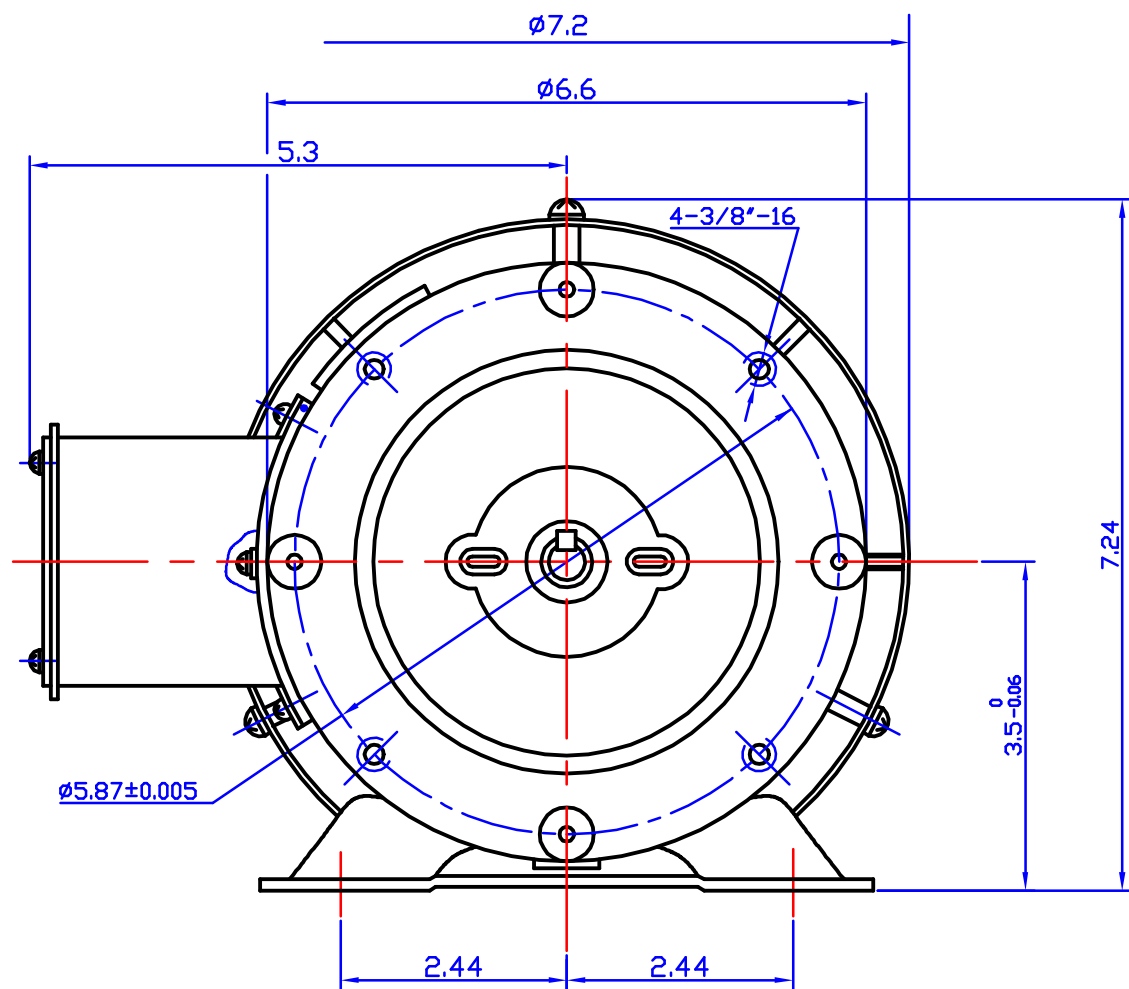
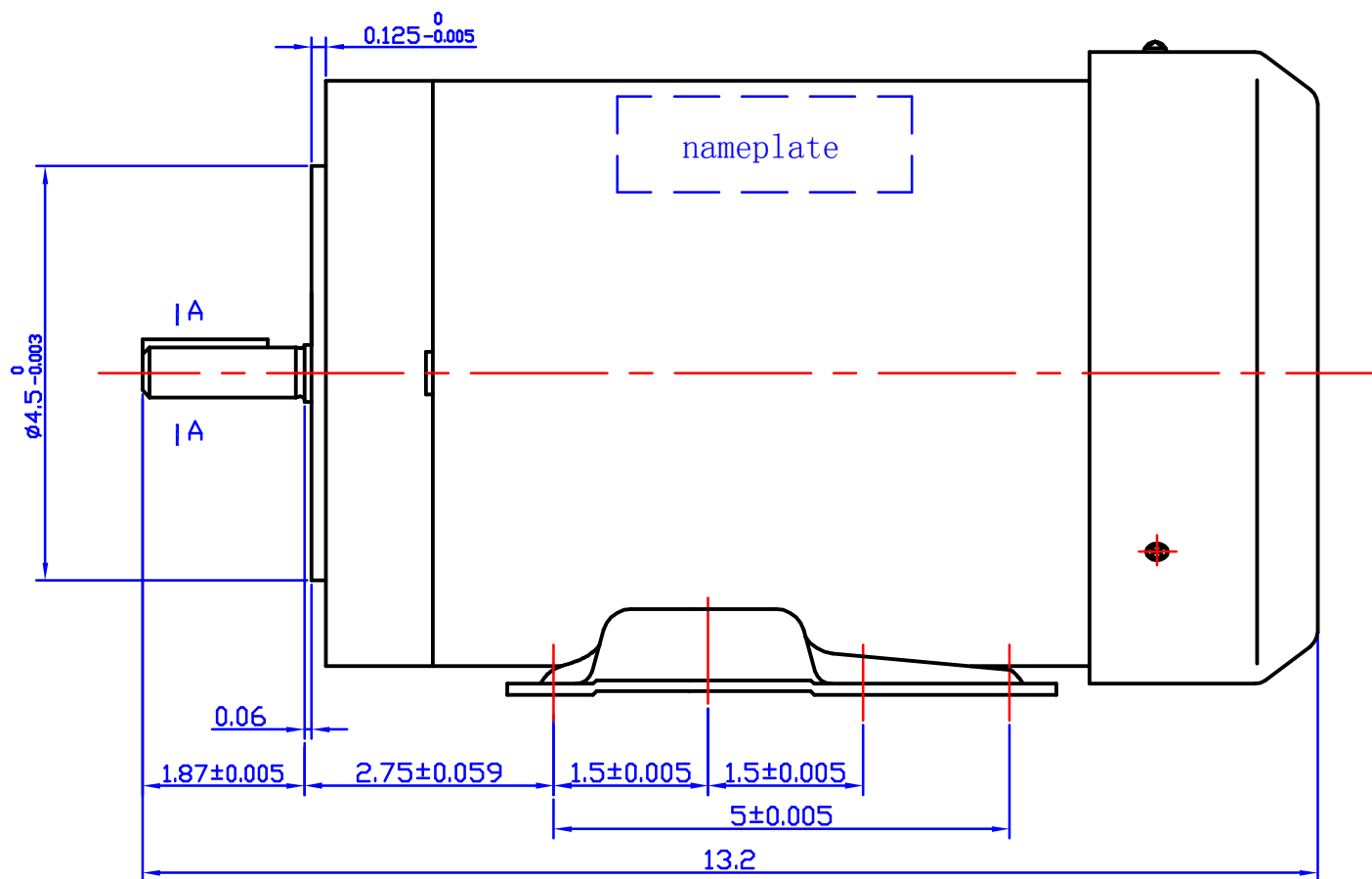
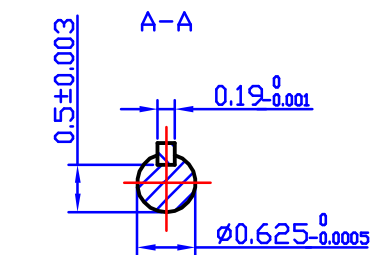
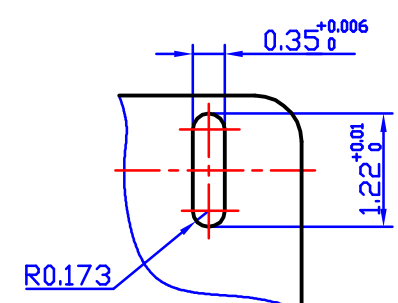


REV	ECO	REV BY	DATE	APPD	DATE



DIRECTION D



GW MODEL	IND#	REF Number	FRAME	Pole	PH	HP	RPM	Hz	Volt
YSA5674D-BPN	T035CE	GWR1-4-N56	56C	4	3	1.0/0.75	1750/1450	60/50	208-230/190 460/380
YSA5674D-BP1N	T206CE	GWR1-4-575-N56	56C	4	3	1.0	1750	60	575

DR BY:  
 APPD:  
 FIRST ANGLE PROJECTION EDS DATE  
 VERSION  
 CONFIDENTIAL: THIS DRAWING AND ITS INFORMATION ARE THE EXCLUSIVE AND CONFIDENTIAL PROPERTY OF GW ELECTRIC (SHANGHAI) CORPORATION AND ARE NOT TO BE DISCLOSED, DUPLICATED, DISTRIBUTED OR OTHERWISE USED WITHOUT THE WRITTEN CONSENT OF GW ELECTRIC (SHANGHAI) CORPORATION.  
 -ALL RIGHTS RESERVED.

**AG-I MOTORTEC INC.,**

DESCRIPTION  
 T035CE, T206CE OUTLINE

SIZE **A3** DWG NO  
 SCALE SHEET