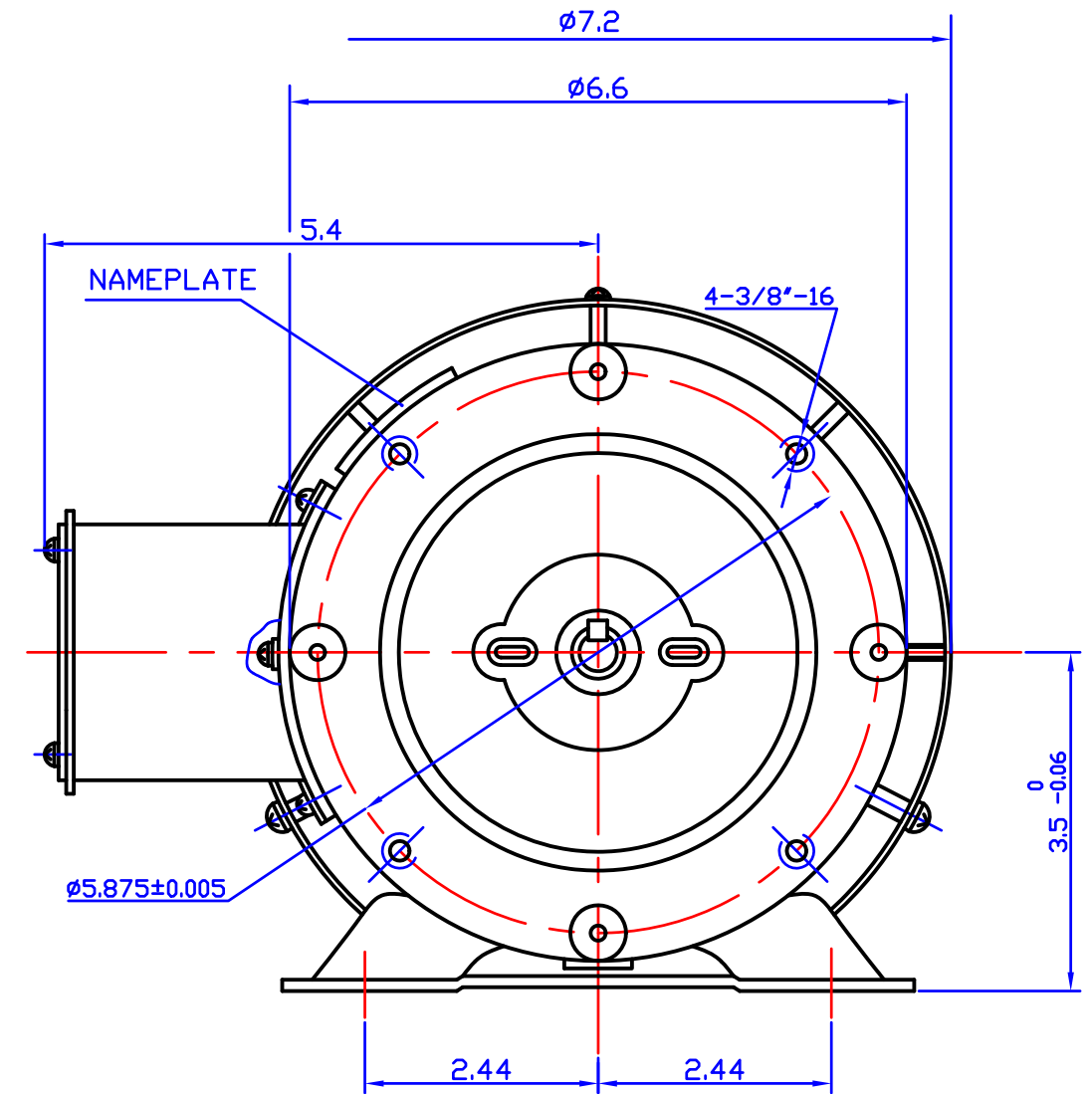
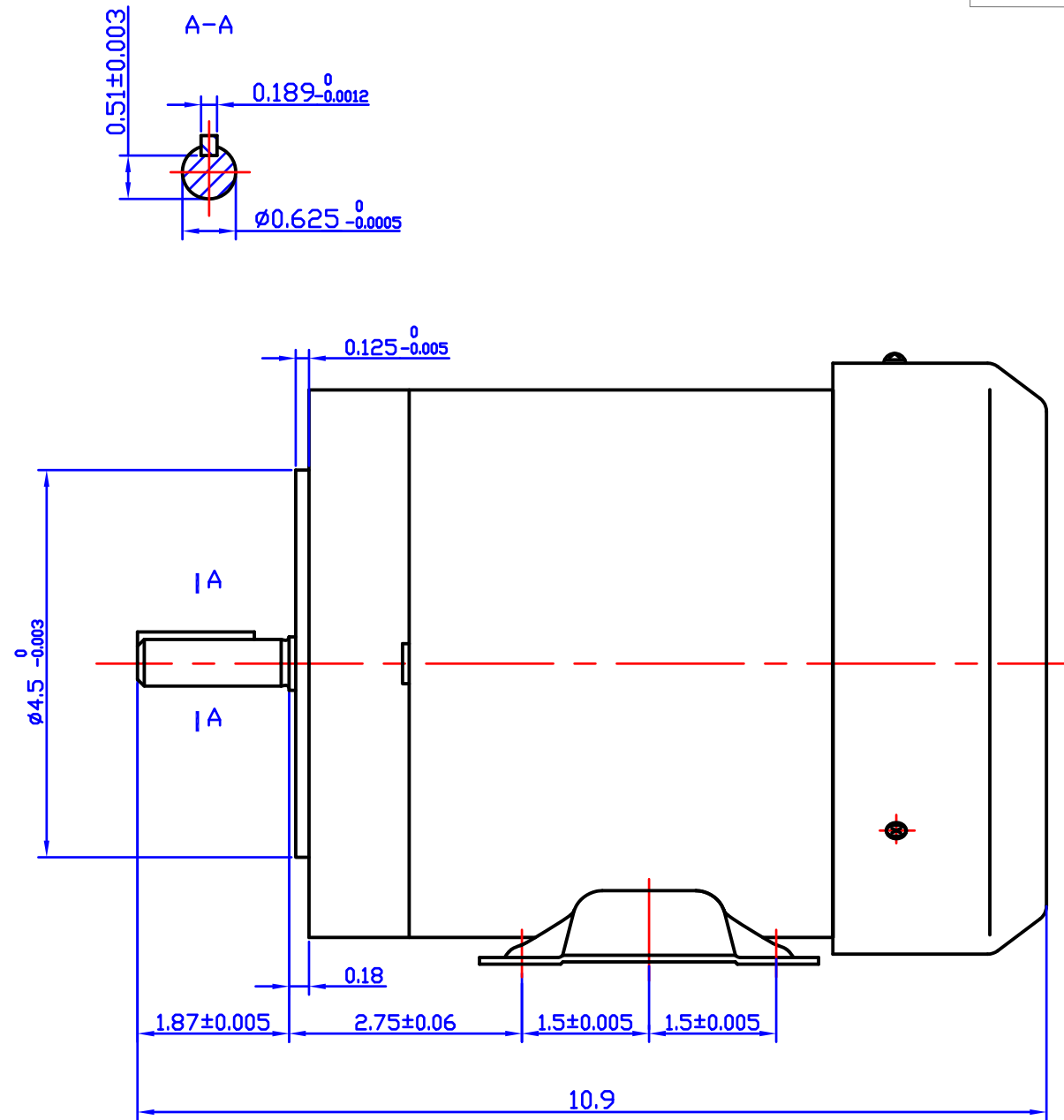

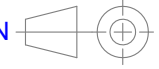


REV	ECO	REV BY	DATE	APPD	DATE



AG-I MODEL .No.	FRAME	HP	VOLTS	Hz	RPM	PH	S.F.	INSL.	Thermally Protector	endclose	DUTY
T754UF5FN00	56C	3/4	208-230/460	60	1725	3	1.15	F	NONE	TEFC	CONT.

DR BY:		 <b>AG-I MOTORTEC INC. ,</b>
APPD:		
FIRST ANGLE PROJECTION 	EDS DATE VERSION	DESCRIPTION <b>T034C T754UF5FN00</b>
CONFIDENTIAL PROPERTY OF GW ELECTRIC (SHANGHAI) CORPORATION AND ARE NOT TO BE DISCLOSED, DUPLICATED, OR OTHERWISE USED WITHOUT THE WRITTEN CONSENT OF GW ELECTRIC (SHANGHAI) CORPORATION, OR ITS AGENT, AG-I MOTORTEC INC. - ALL RIGHTS RESERVED		SIZE <b>A3</b> DWG NO
		SCALE <b>1:2</b> SHEET