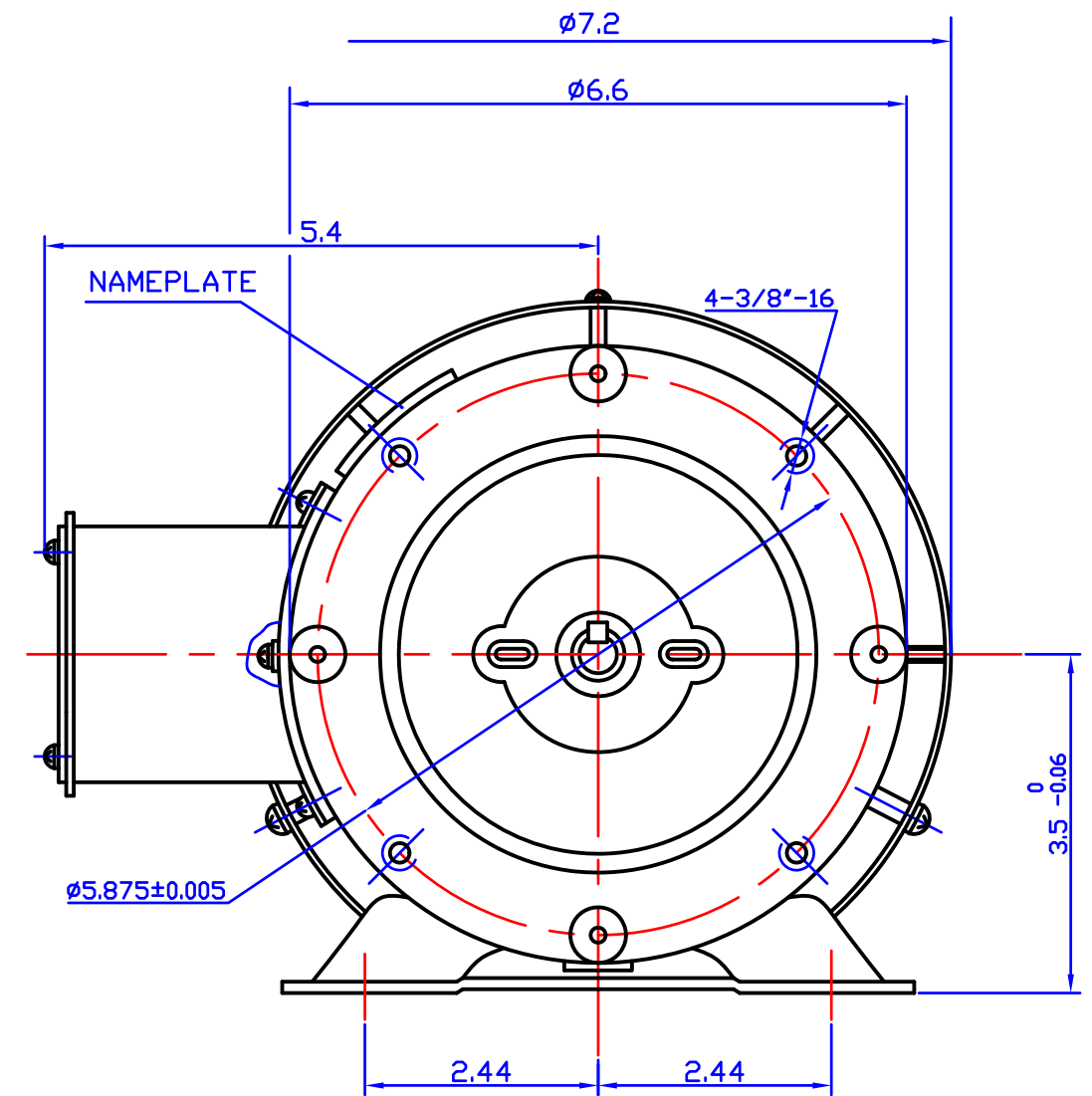
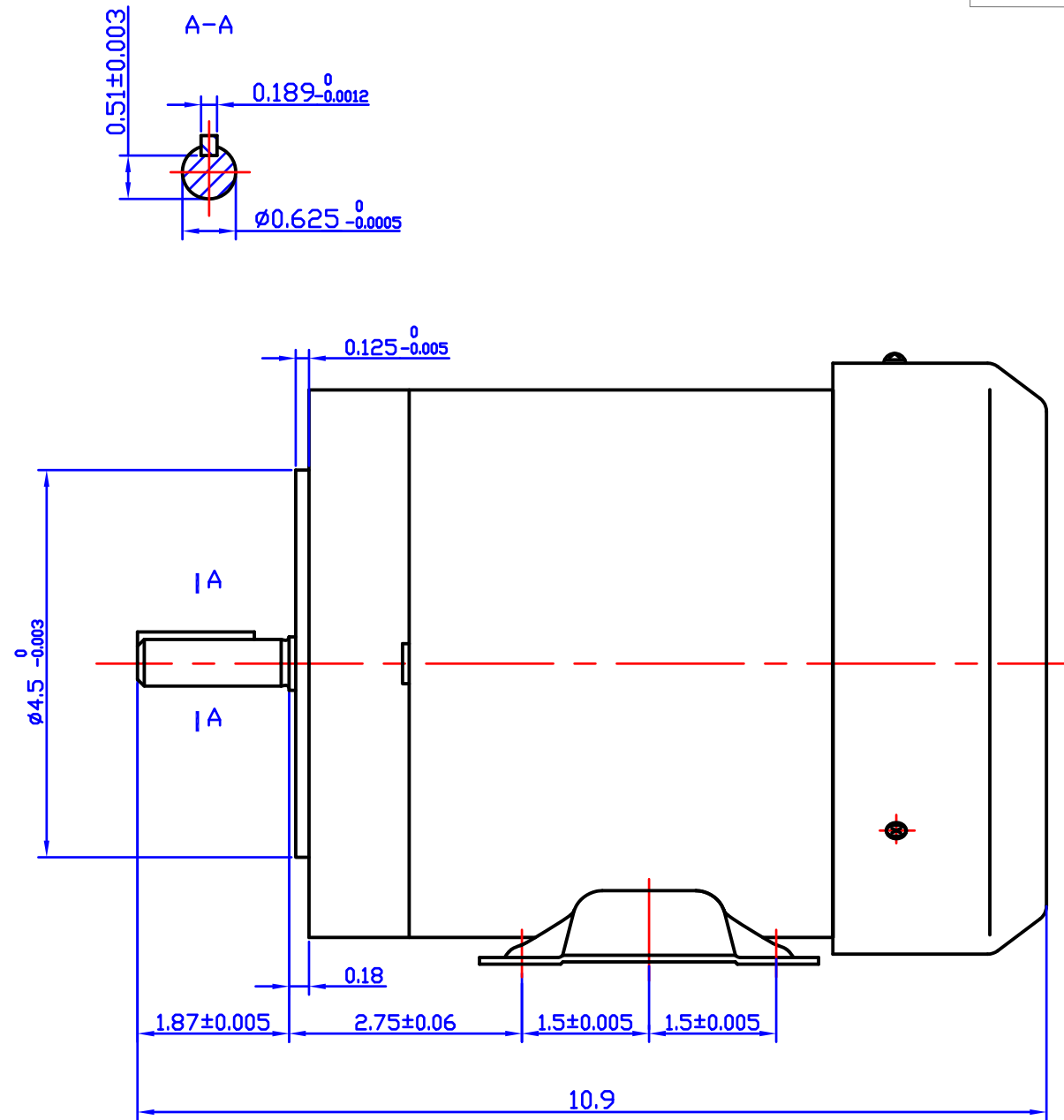


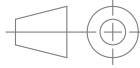
REV	ECO	REV BY	DATE	APPD	DATE




AG-I MODEL No.	FRAME	HP	VOLTS	Hz	RPM	PH	S.F.	INSL.	Thermally Protector	endclose	DUTY
T054UF5FN00	56C	1/2	208-230/460	60	1725	3	1.15	F	NONE	TEFC	CONT.

DR BY: _____

APPD: _____

FIRST ANGLE PROJECTION  EDS DATE _____
VERSION _____

CONFIDENTIAL PROPERTY OF GW ELECTRIC (SHANGHAI) CORPORATION AND ARE NOT TO BE DISCLOSED, DUPLICATED, OR OTHERWISE USED WITHOUT THE WRITTEN CONSENT OF GW ELECTRIC (SHANGHAI) CORPORATION, OR ITS AGENT, AG-I MOTORTEC INC. - ALL RIGHTS RESERVED

 AG-I MOTORTEC INC.,

DESCRIPTION
T032C T054UF5FN00

SIZE A3 DWG NO _____

SCALE 1:2 SHEET _____