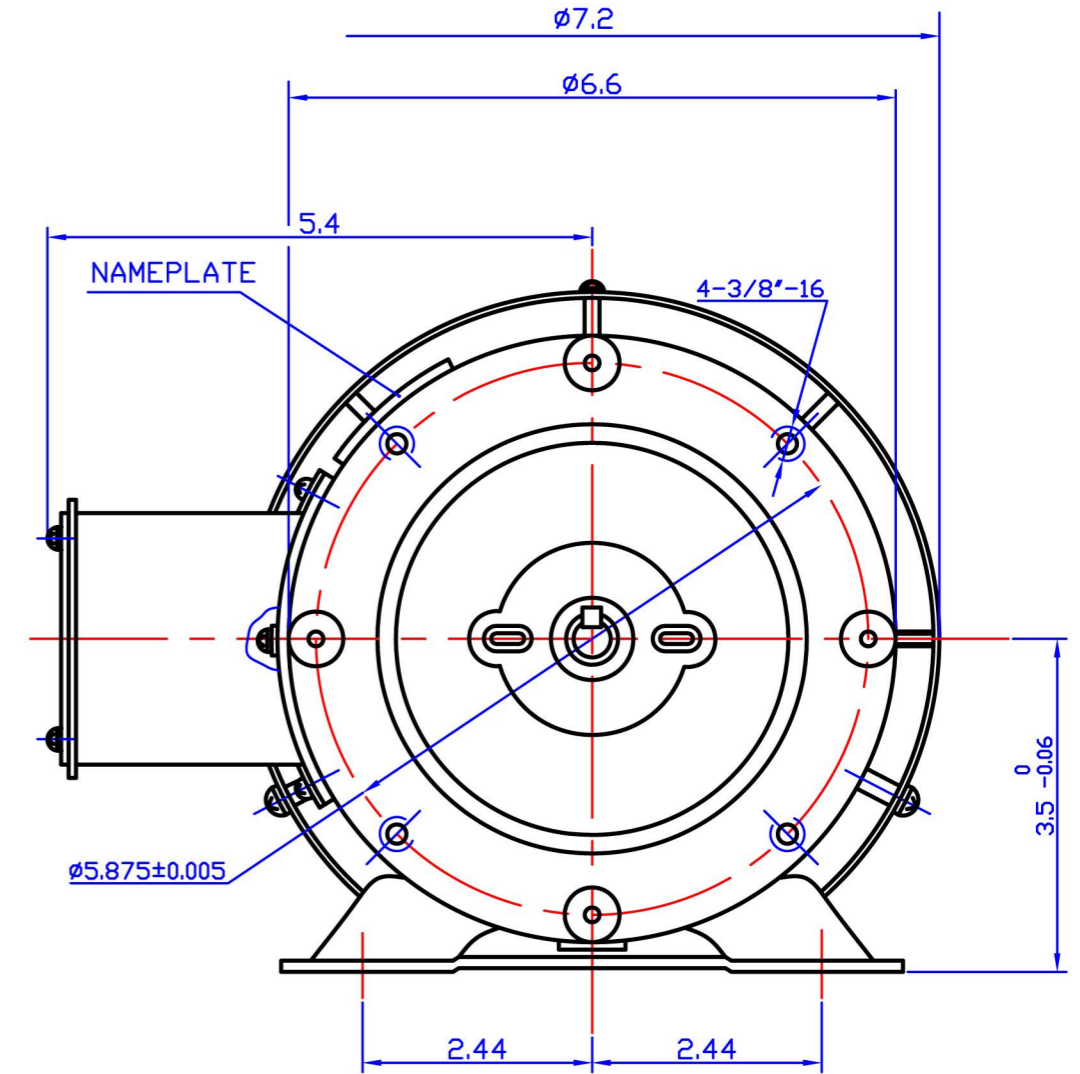
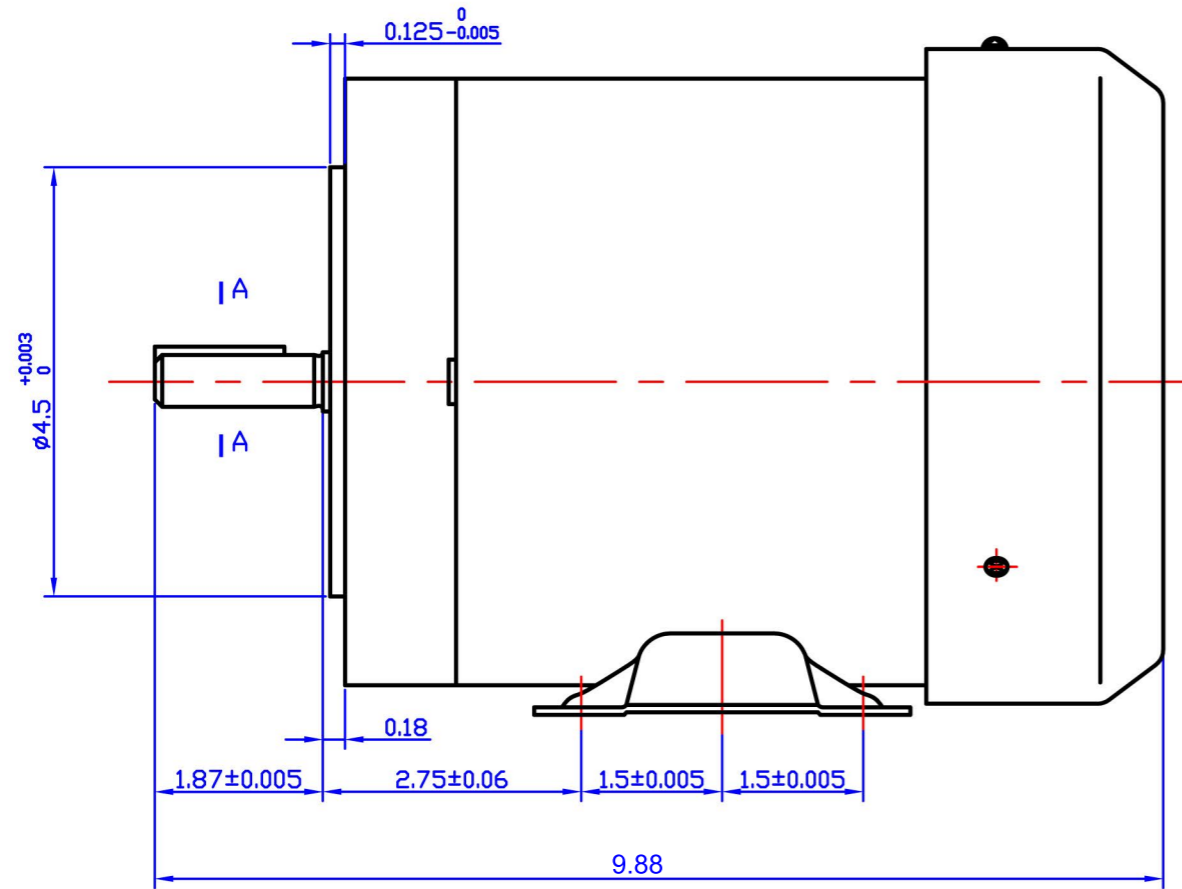
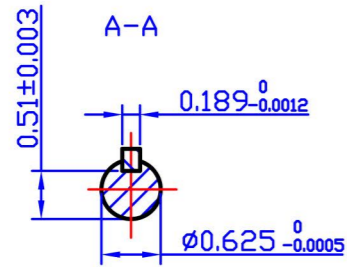


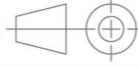
REV	ECO	REV BY	DATE	APPD	DATE



REF.NO.	IND#	HP	VOLT	Hz	POLE	FRAME	ENCLOSURE	thermal protector
	T031C	1/3	230/460	60	4P	56C	TEFC	NONE

DR BY: _____

APPD: _____

FIRST ANGLE PROJECTION  EDS DATE _____
 VERSION _____

CONFIDENTIAL PROPERTY OF GW ELECTRIC (SHANGHAI) CORPORATION AND ARE NOT TO BE DISCLOSED, DUPLICATED, OR OTHERWISE USED WITHOUT THE WRITTEN CONSENT OF GW ELECTRIC (SHANGHAI) CORPORATION, OR ITS AGENT, AG-I MOTORTEC INC. - ALL RIGHTS RESERVED



AG-I MOTORTEC INC.,

DESCRIPTION

T035C OUTLINE

SIZE A3 DWG NO

SCALE 1:2

SHEET