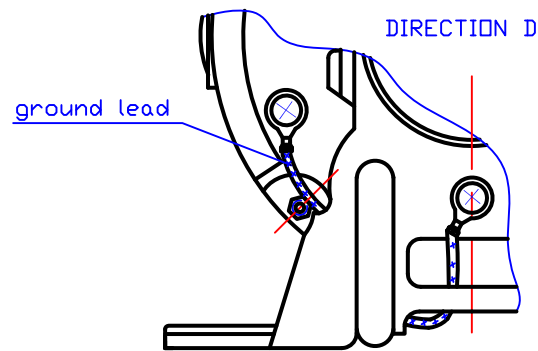
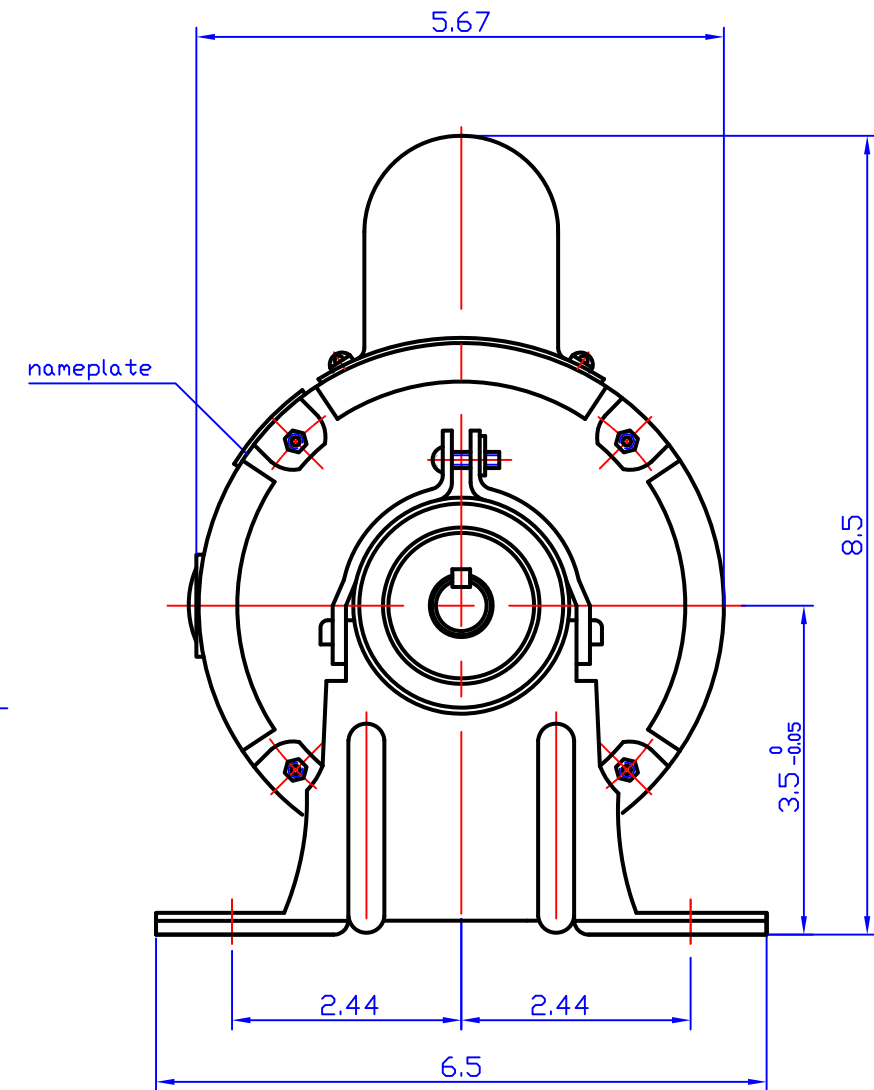
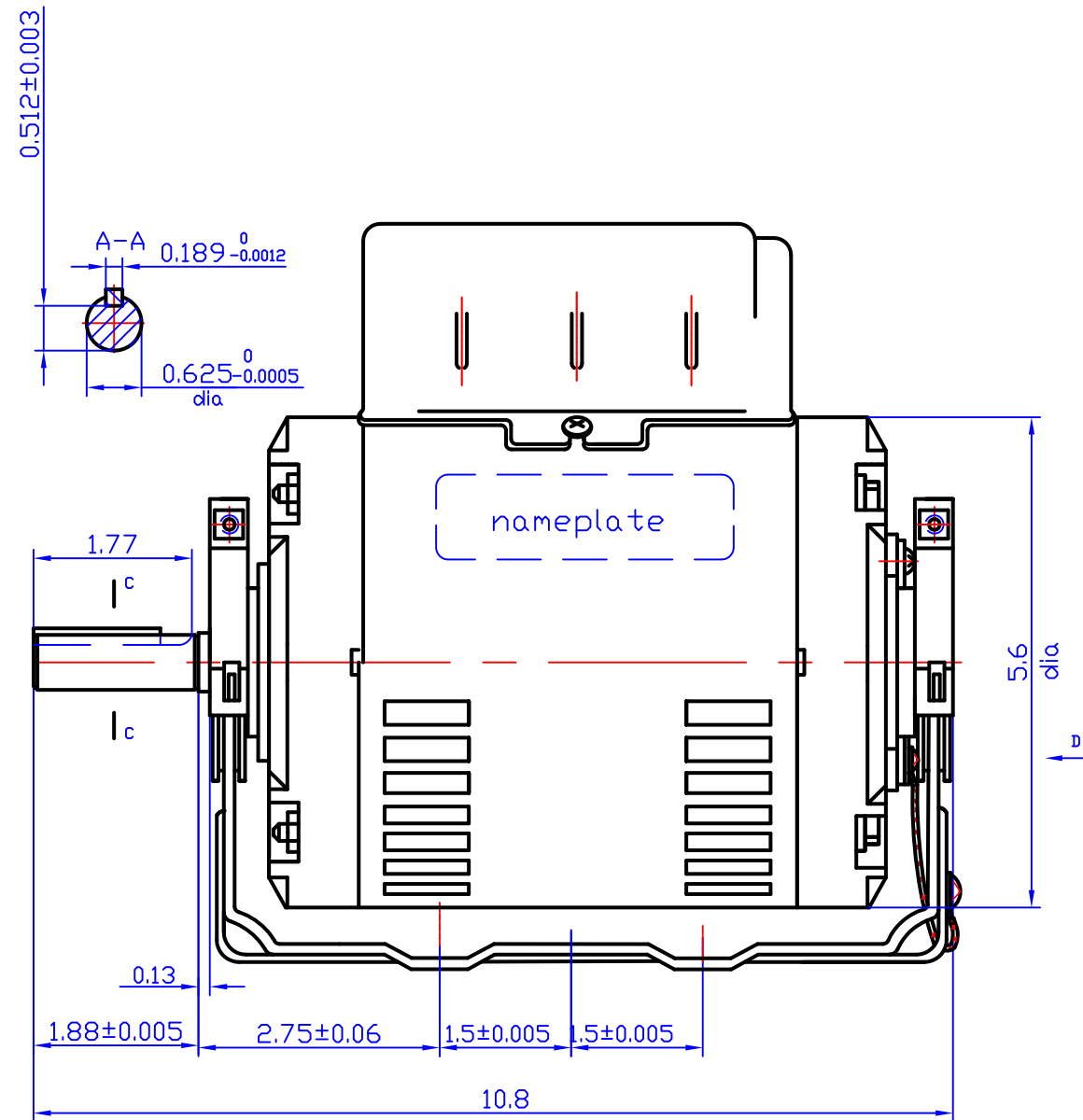


REV	ECO	REV BY	DATE	APPD	DATE



IND#	FRAME	PH	HP	Hz	Pole	Volt	RPM	thermal protector
R241	S56	1	1/2	60	4	115	1625	CEJ53CA

DR BY:	Candy
APPD:	



AG-I MOTORTEC INC.,

FIRST ANGLE PROJECTION	EDS DATE
	VERSION

DESCRIPTION
OUTLINE OF R241

CONFIDENTIAL PROPERTY OF GW ELECTRIC (SHANGHAI) CORPORATION AND ARE NOT TO BE DISCLOSED, DUPLICATED, OR OTHERWISE USED WITHOUT THE WRITTEN CONSENT OF GW ELECTRIC (SHANGHAI) CORPORATION, OR ITS AGENT, AG-I MOTORTEC INC. - ALL RIGHTS RESERVED

SIZE	A3	DWG NO	
SCALE	1:2		SHEET