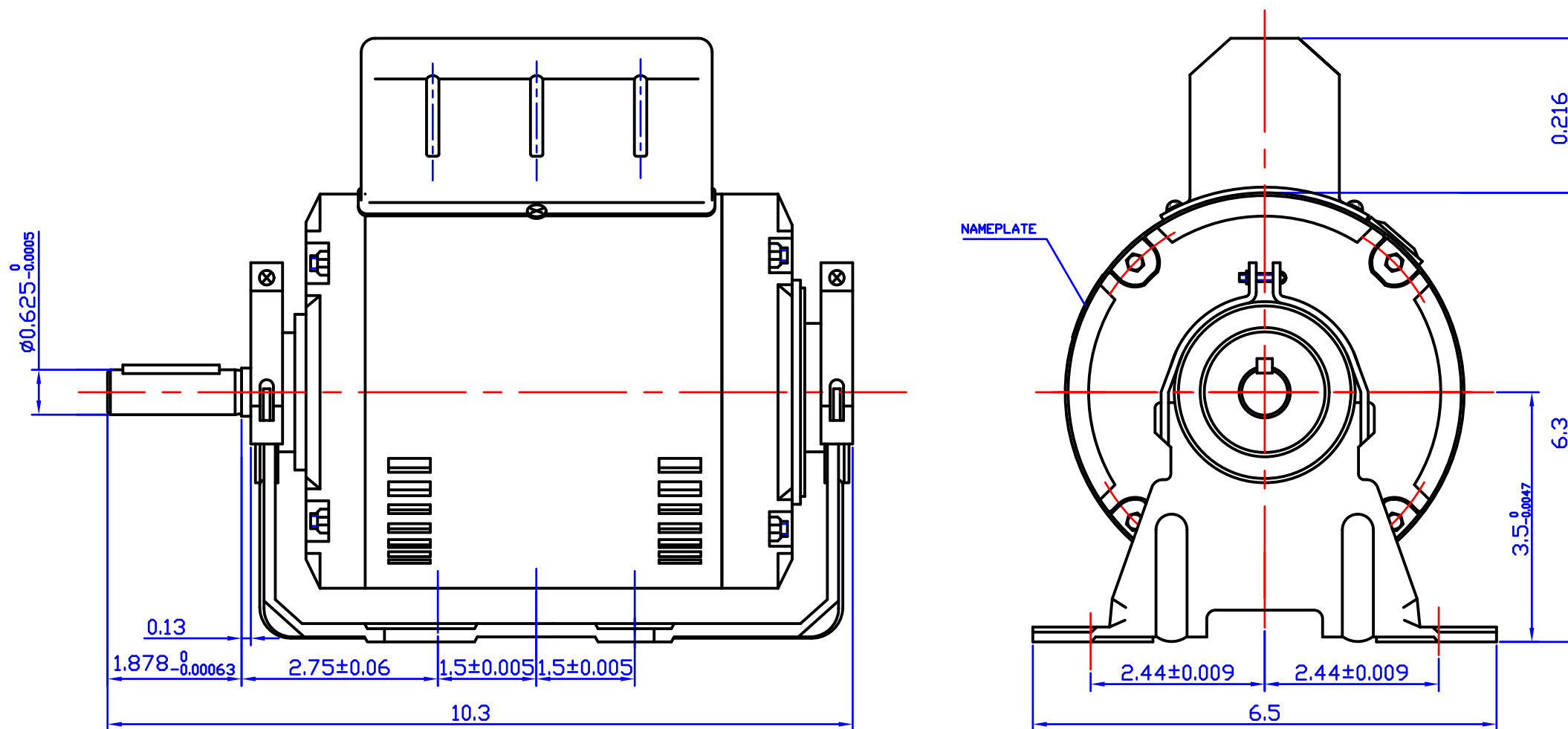




REV	ECO	REV BY	DATE	APPD	DATE



AG-I MODEL .No.	FRAME	HP	VOLTS	Hz	RPM	PH	S.F.	INSL.	Thermally Protector	endclose	DUTY
R334LDSRM00	S56	1/3	115	60	1625	1	10	F	CEJ63CA	DDP	60MIN.REV

DR BY:		 <b>AG-I MOTORTEC INC. ,</b>
APPD:		
FIRST ANGLE PROJECTION 	EDS DATE VERSION	DESCRIPTION <b>R231 R334LDSRM00</b>
CONFIDENTIAL PROPERTY OF GW ELECTRIC (SHANGHAI) CORPORATION AND ARE NOT TO BE DISCLOSED, DUPLICATED, OR OTHERWISE USED WITHOUT THE WRITTEN CONSENT OF GW ELECTRIC (SHANGHAI) CORPORATION, OR ITS AGENT, AG-I MOTORTEC INC. - ALL RIGHTS RESERVED		SIZE <b>A3</b> DWG NO SCALE <b>1:2</b> SHEET