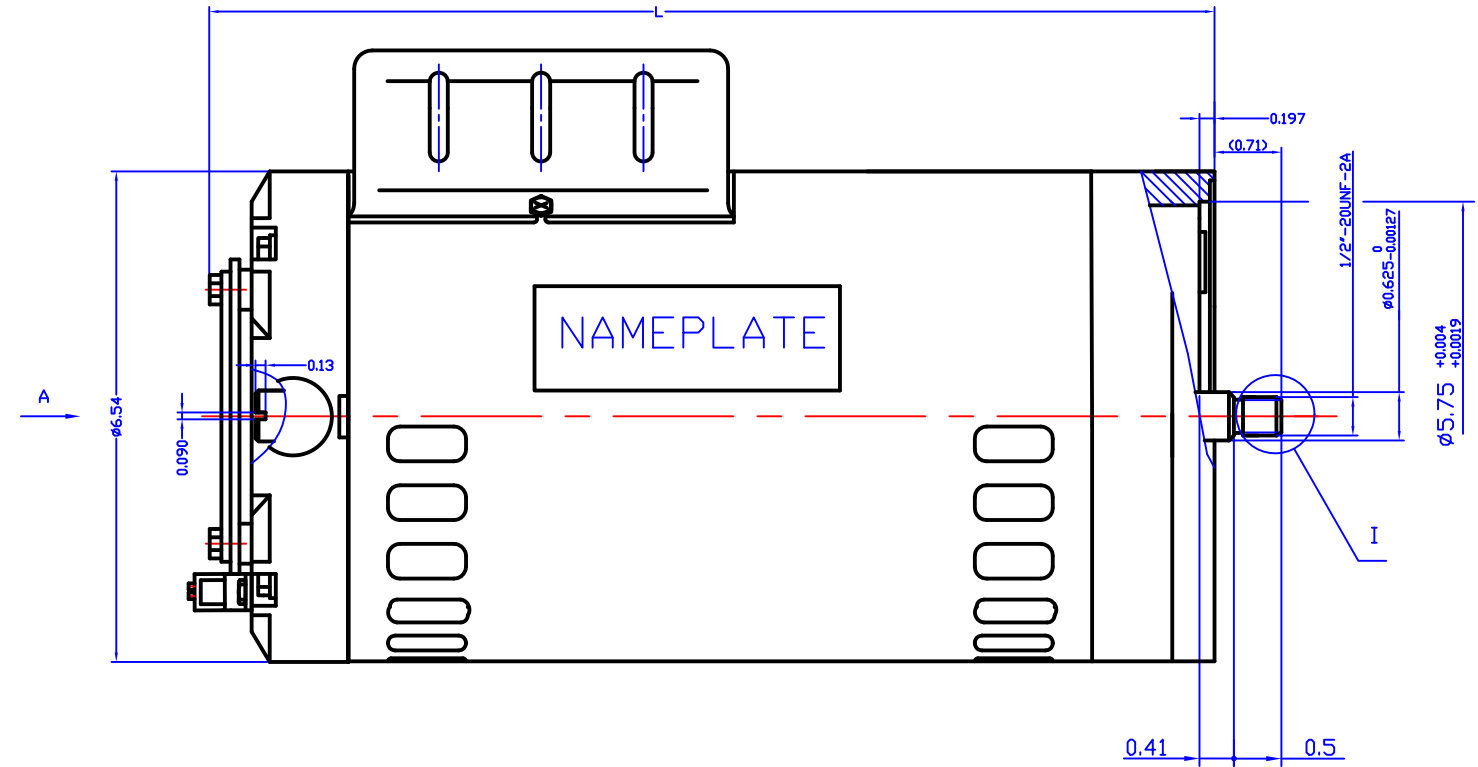
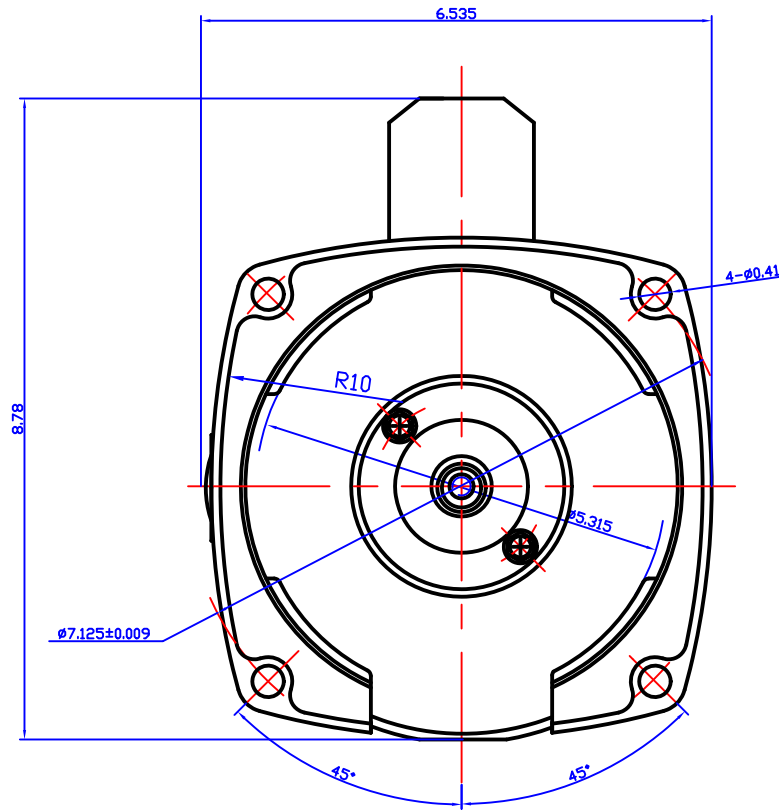
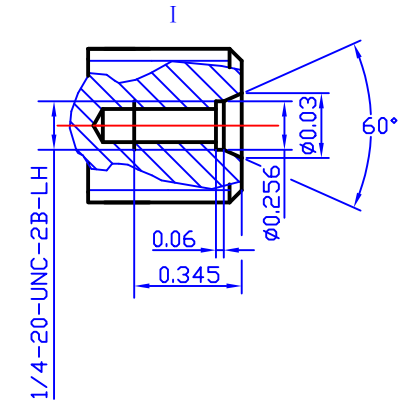
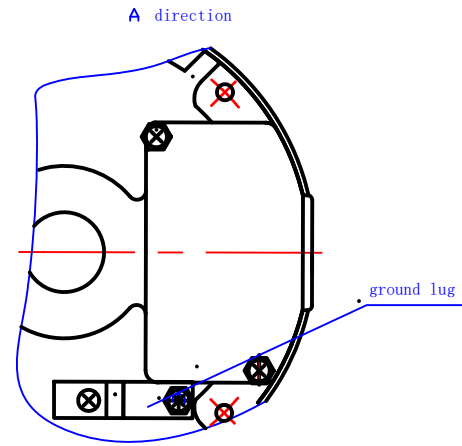


REV	ECO	REV BY	DATE	APPD	DATE



AGI IND#	FRAME	PH	HP	Pole	RPM	Hz	Volt	thermal protector	L
PP5652SQ	56Y	1	1	2	3450	60	115/230	MEJ28RX	12.00
PP5672SQ	56Y	1	1.5	2	3450	60	115/208-230	MEJ22RX	12.87

DR BY: Candy

APPD:

FIRST ANGLE PROJECTION

EDS DATE 10/19/2022
VERSION

CONFIDENTIAL: THIS DRAWING AND ITS INFORMATION ARE THE EXCLUSIVE AND CONFIDENTIAL PROPERTY OF GW ELECTRIC (SHANGHAI) CORPORATION AND ARE NOT TO BE DISCLOSED, DUPLICATED, DISTRIBUTED OR OTHERWISE USED WITHOUT THE WRITTEN CONSENT OF GW ELECTRIC (SHANGHAI) CORPORATION.
-ALL RIGHTS RESERVED.



GW ELECTRIC (SHANGHAI) Co., Ltd.

DESCRIPTION	
JET PUMP OUTLINE FOR SQUARE FLANGE	
SIZE	DWG NO
A3	
SCALE	SHEET