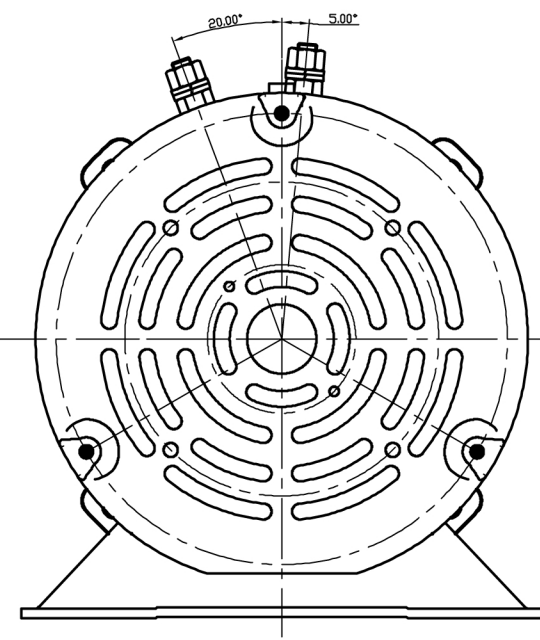
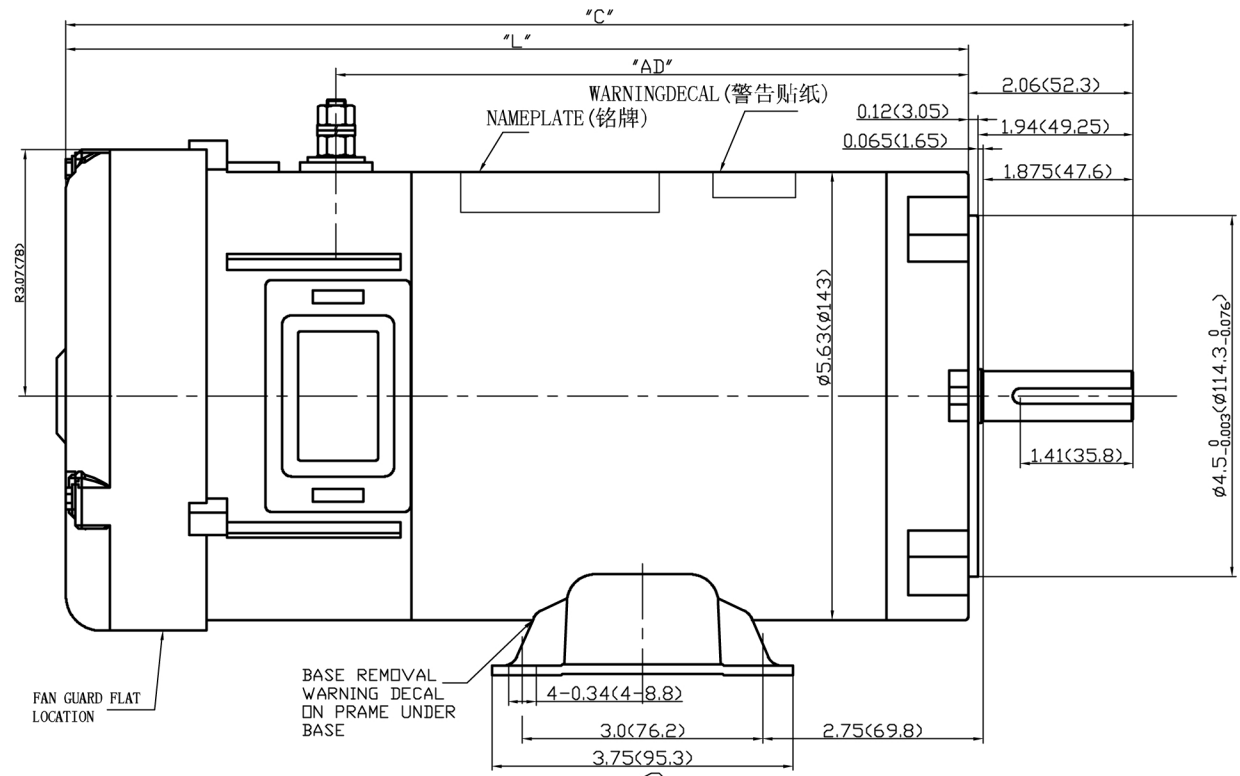
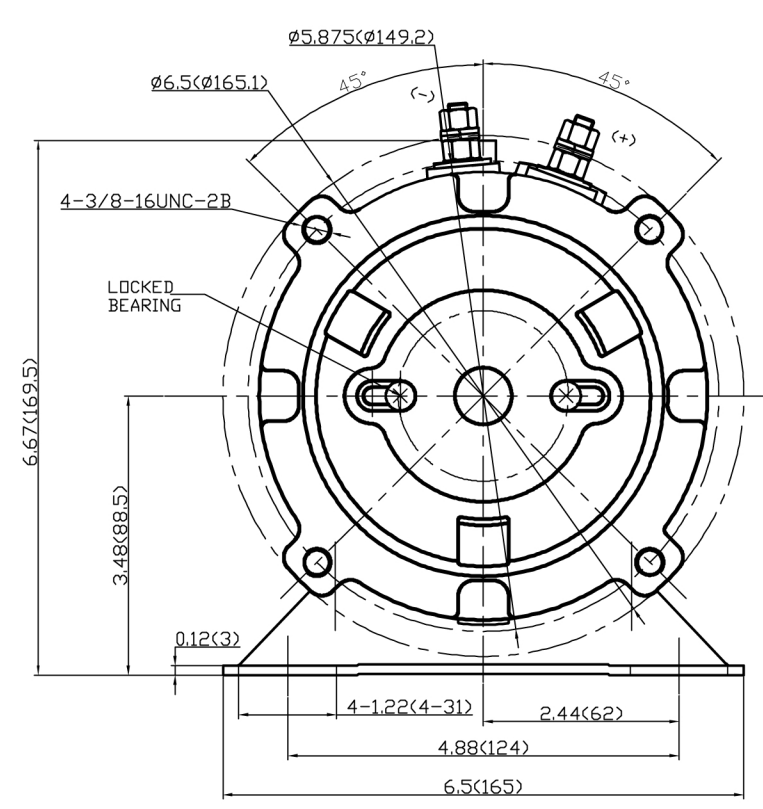
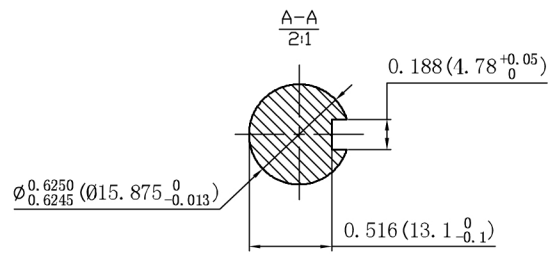
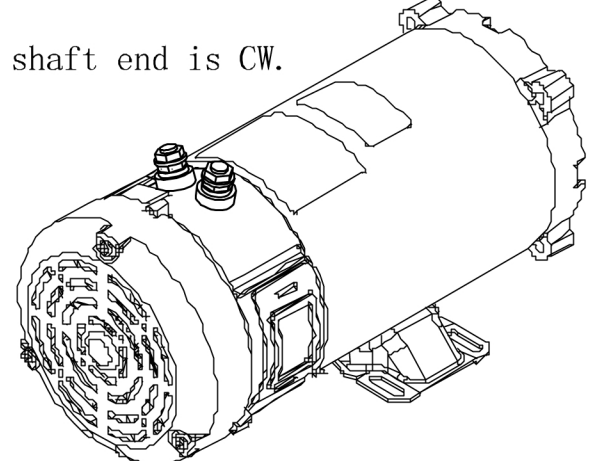


REV	ECO	REV BY	DATE	APPD	DATE



Rotation: Motor from the shaft end is CW.



MODEL	VOLTS DC	AMPS	HP	RPM	N.m	"C"	"L"	"AD"	INSULATION Class	IND#
ZYT48-08	24	29	0.75	1800	2.94	12.82	10.76	7.38	F	FM052
ZYT48-07	12	58	0.75	1800	2.96	13.31	12.26	7.88	F	FM048
ZYT48-09	12	80	1.0	1800	3.95	13.81	11.75	8.18	F	FM022
ZYT48-10	24	39	1.0	1800	3.95	13.81	11.75	8.39	F	FM053

DR BY:  
APPD:  
FIRST ANGLE PROJECTION EDS DATE  
VERSION



AG-I MOTORTEC INC.,

CONFIDENTIAL: THIS DRAWING AND ITS INFORMATION ARE THE EXCLUSIVE AND CONFIDENTIAL PROPERTY OF GW ELECTRICAL (SHANGHAI) CORPORATION AND ARE NOT TO BE DISCLOSED, DUPLICATED, DISTRIBUTED OR OTHERWISE USED WITHOUT THE WRITTEN CONSENT OF GW ELECTRICAL (SHANGHAI) CORPORATION.  
-ALL RIGHTS RESERVED.

DESCRIPTION	
SIZE	DWG NO
SCALE	SHEET

A3