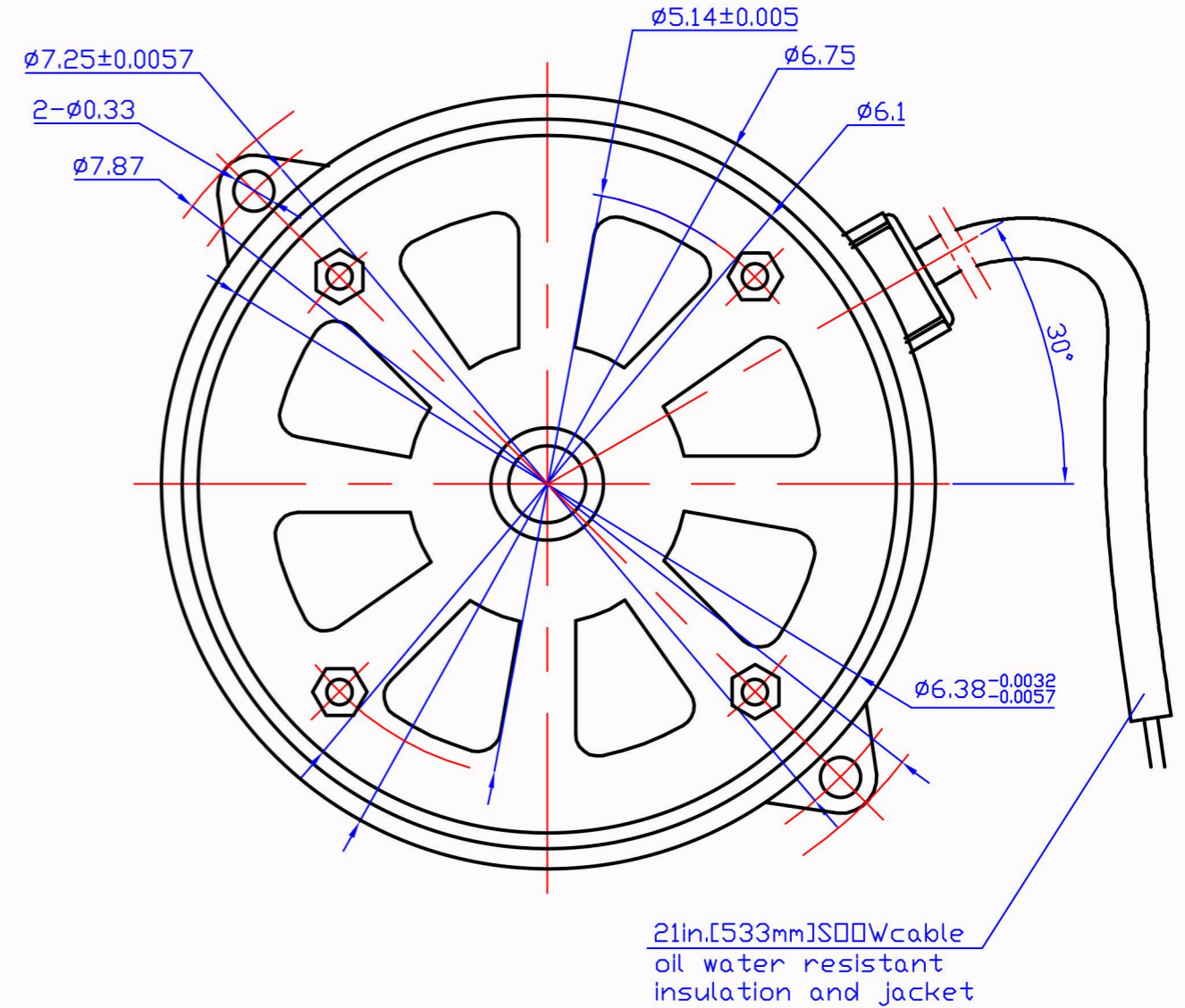
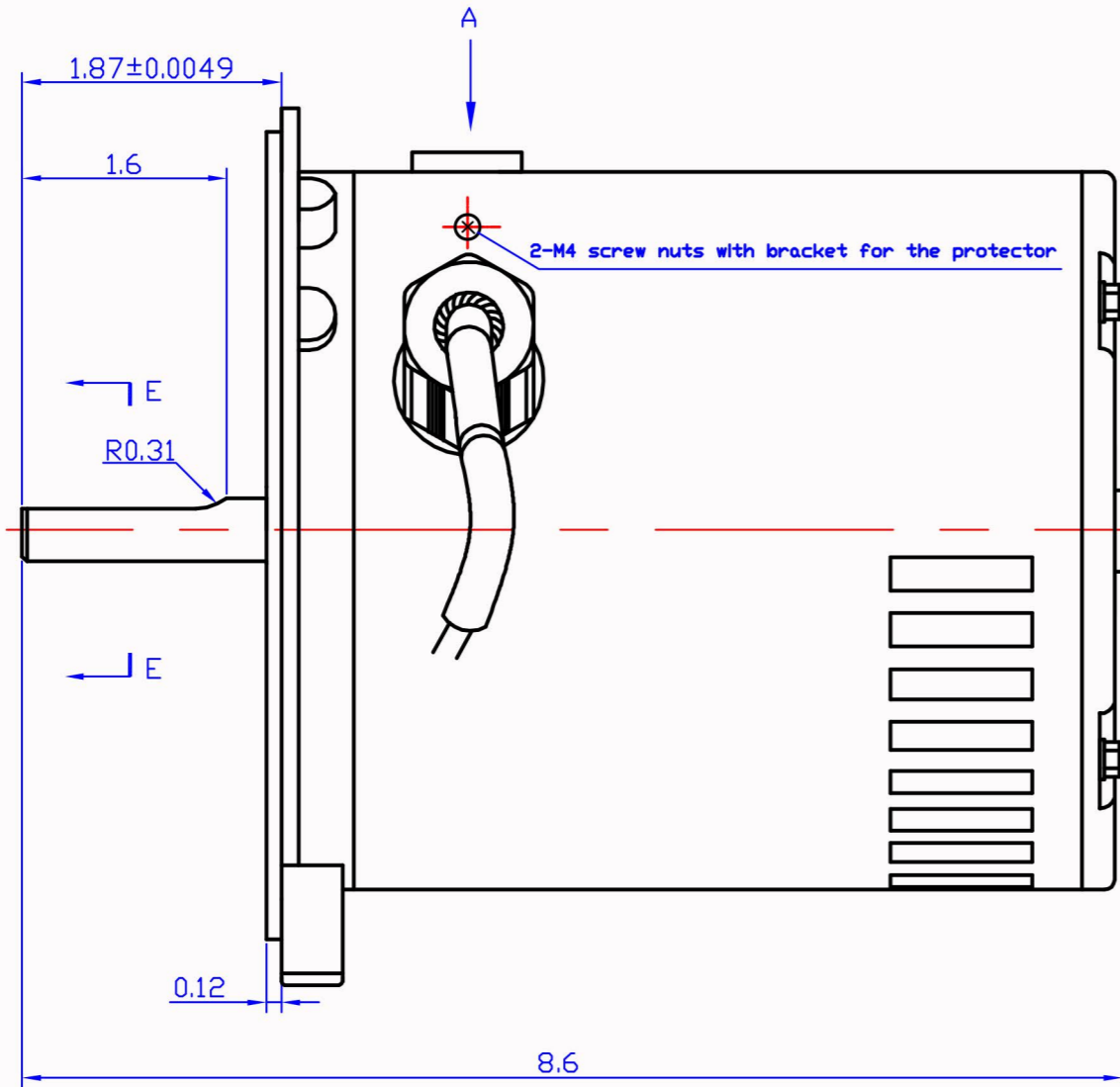
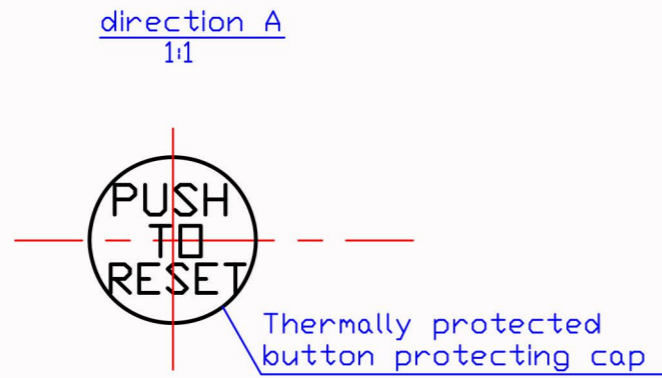
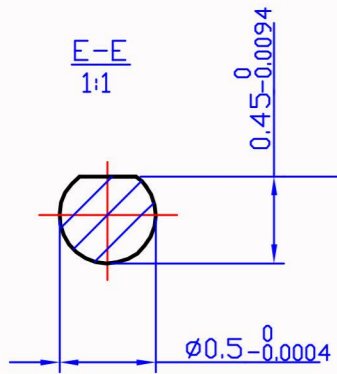



REV	ECO	REVBY	DATE	APPD	DATE




FRAME	HP	Volt	Hz	RPM	Thermally Protected	Duty	PH	S.F.
48	1/3	115	60	3450	MAN	CONT	1	1.0

DRBY:

APPD:

FIRSTANGLEP ROJECTION  EDS DATE  
VERSION

CONFIDENTIAL PROPERTY OF GW ELECTRIC (SHANGHAI) CORPORATION AND ARE NOT TO BE DISCLOSED, DUPLICATED, OR OTHERWISE USED WITHOUT THE WRITTEN CONSENT OF GW ELECTRIC (SHANGHAI) CORPORATION, OR ITS AGENT, AG-I MOTORTEC INC.  
- ALL RIGHTS RESERVED

 **AG-I MOTORTEC INC.**

DESCRIPTION  
**OB033**

SIZE **A3** DWGNO

SCALE **1:1.5** SHEET