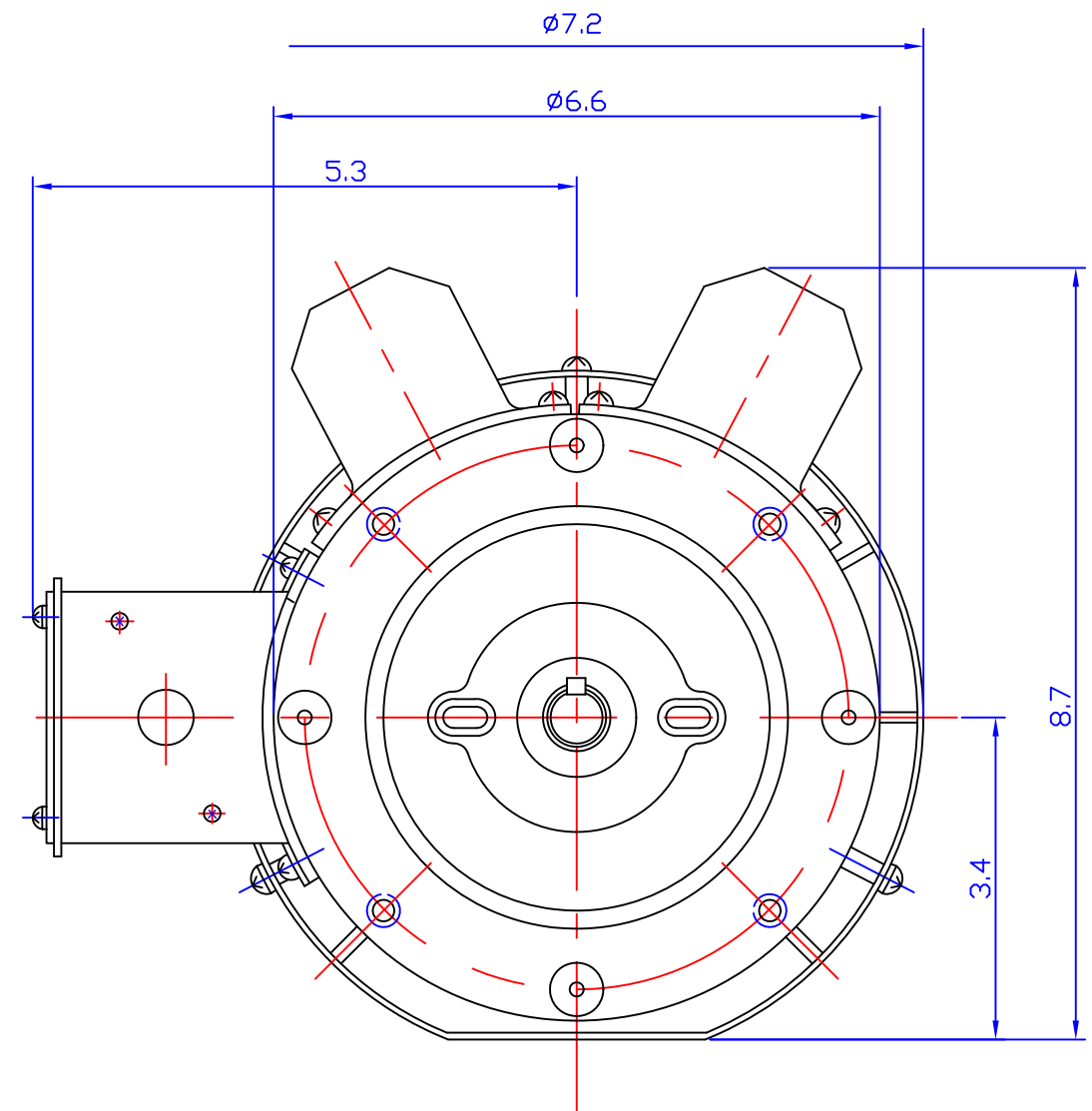
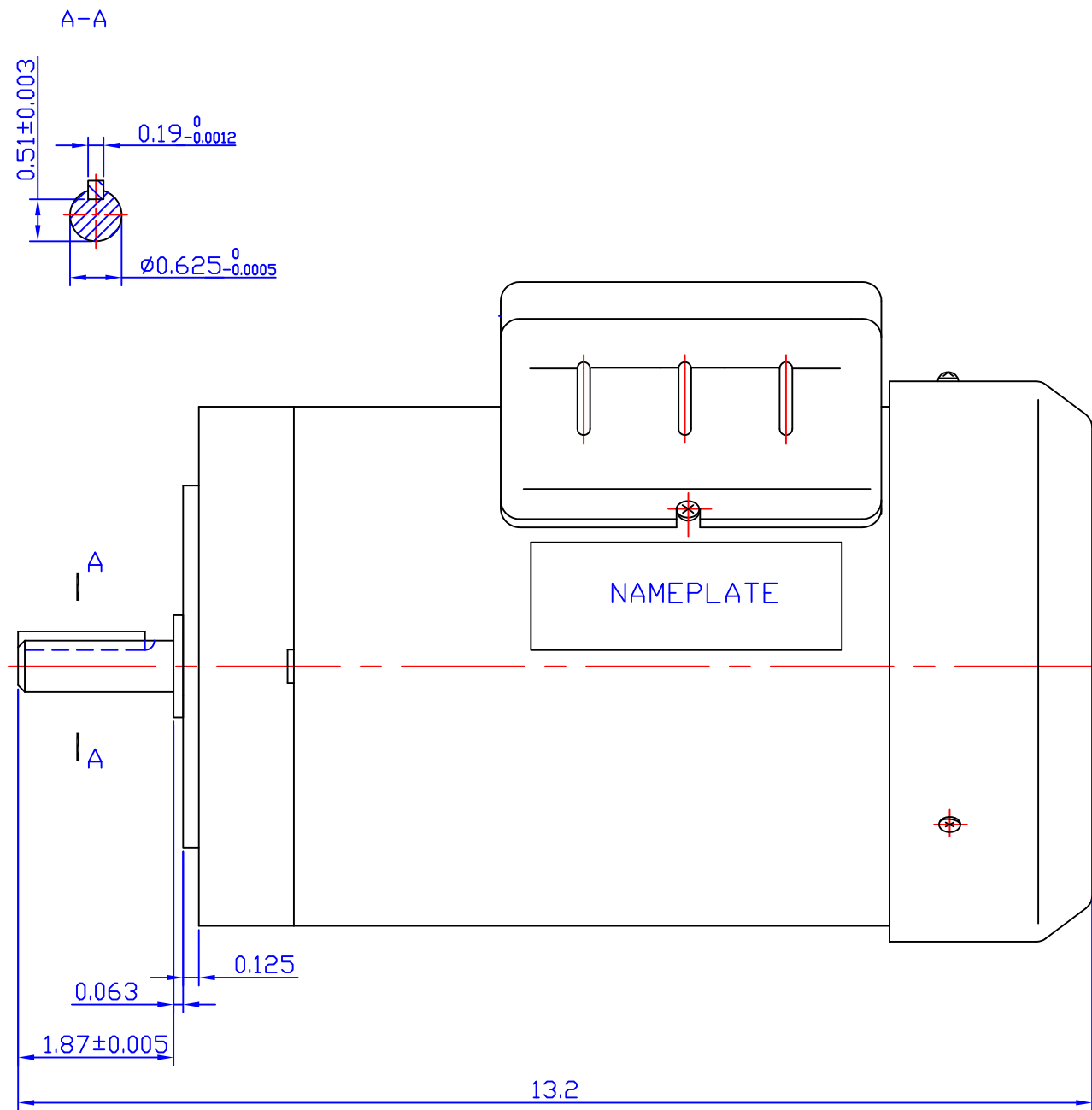

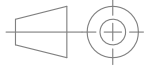


| REV | ECO | REV BY | DATE | APPD | DATE |
|-----|-----|--------|------|------|------|
| | | | | | |



| AG-I MODEL No. | FRAME | HP | VOLTS | Hz | RPM | PH | S.F. | INSL. | Thermally Protector | endclose | DUTY |
|----------------|-------|-----|-------------|----|------|----|------|-------|---------------------|----------|-------|
| K154DF5CM00 | 56C | 1.5 | 115/208-230 | 60 | 1725 | 1 | 1.0 | F | BRJ70DA | TEFC | CONT. |

| | | |
|--|---------------------|---|
| DR BY: | |  AG-I MOTORTEC INC. , |
| APPD: | | |
| FIRST ANGLE PROJECTION  | EDS DATE VERSION | DESCRIPTION K495 K154DF5CM00 |
| CONFIDENTIAL PROPERTY OF GW ELECTRIC (SHANGHAI) CORPORATION AND ARE NOT TO BE DISCLOSED, DUPLICATED, OR OTHERWISE USED WITHOUT THE WRITTEN CONSENT OF GW ELECTRIC (SHANGHAI) CORPORATION, OR ITS AGENT, AG-I MOTORTEC INC. - ALL RIGHTS RESERVED | | SIZE A3 DWG NO |
| | | SCALE 1:2 SHEET |