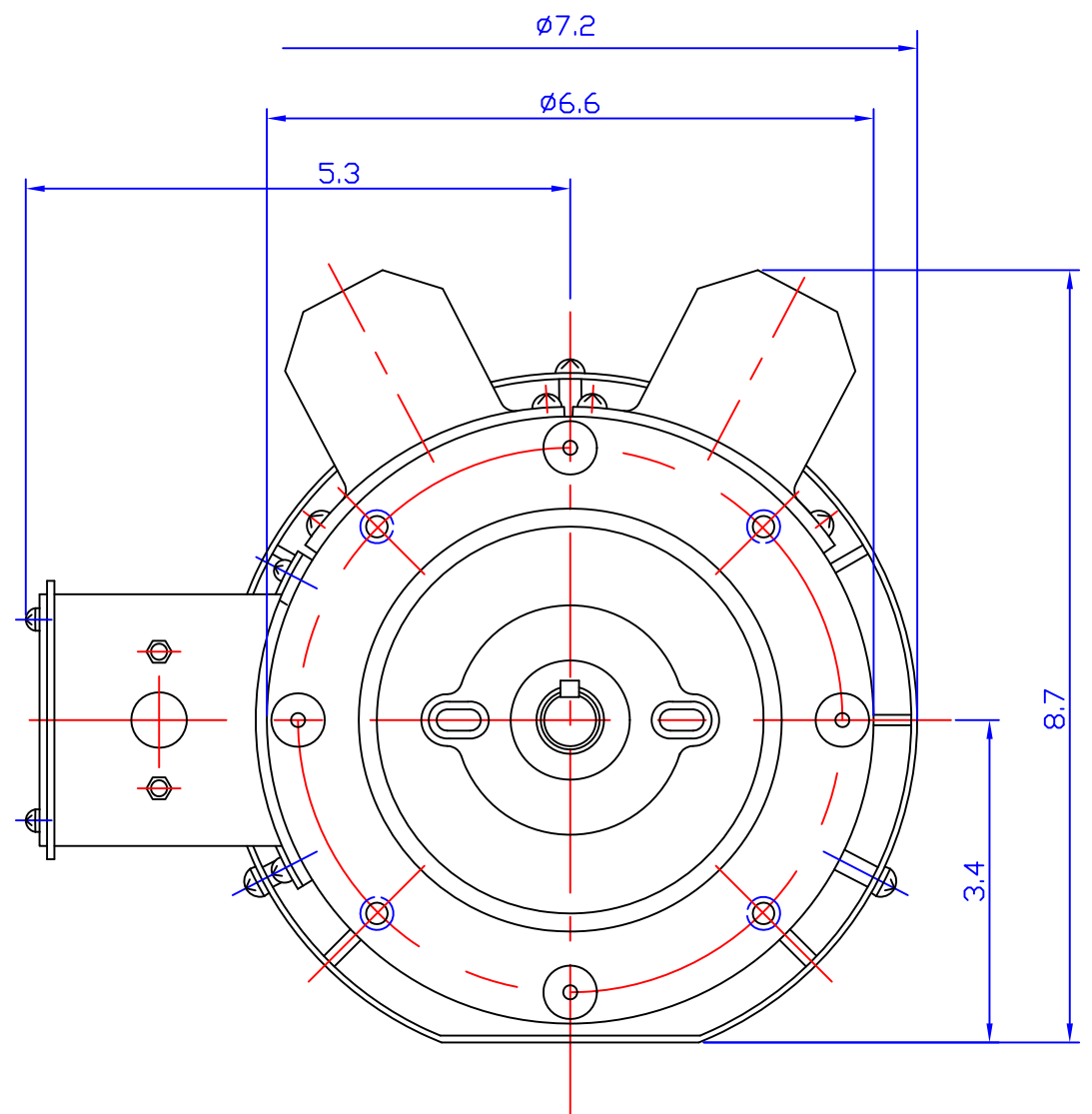
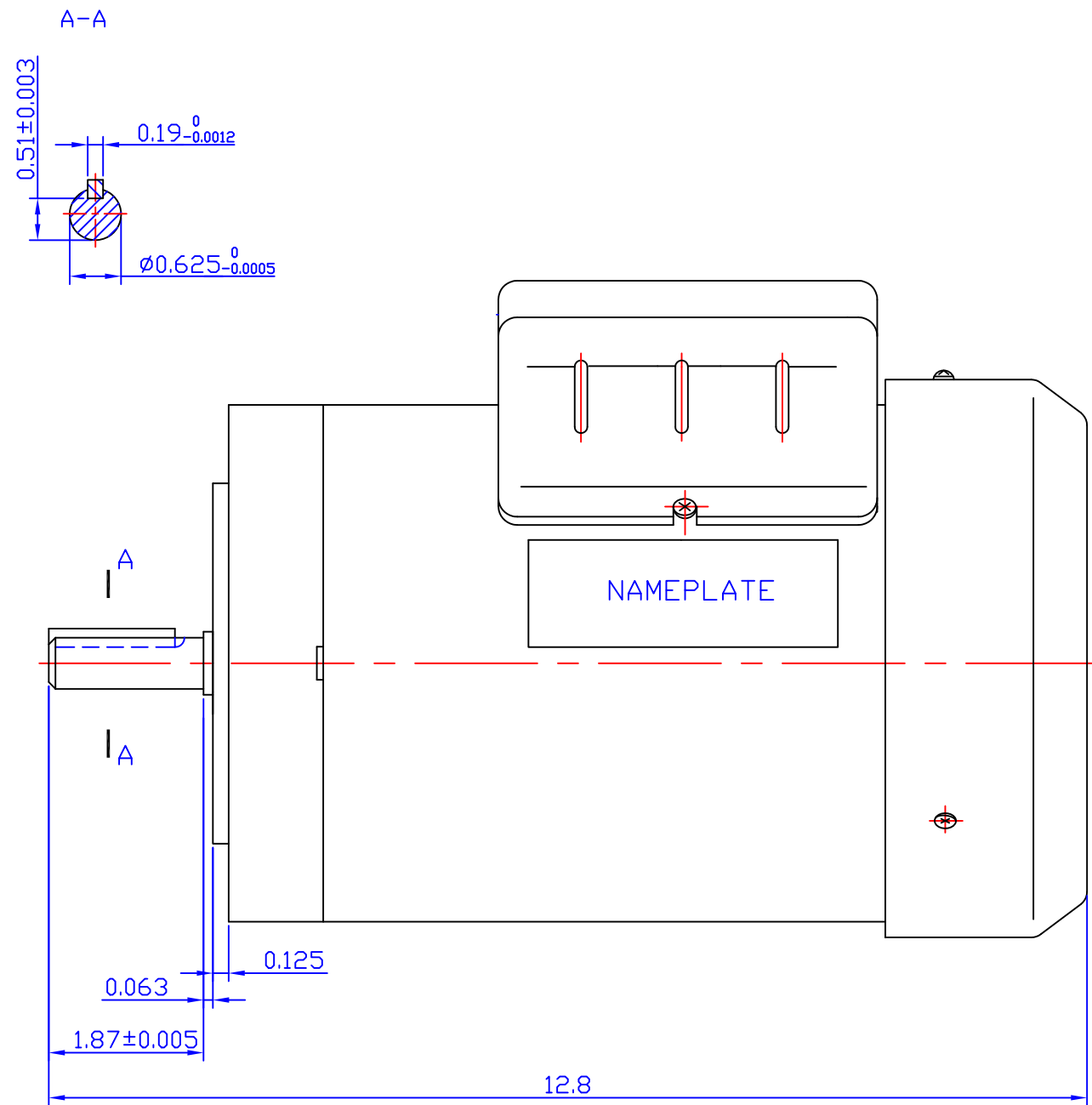

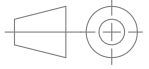


REV	ECO	REV BY	DATE	APPD	DATE



AG-I MODEL No.	FRAME	HP	VOLTS	Hz	RPM	PH	S.F.	INSL.	Thermally Protector	endclose	DUTY
K104DF5CM00	56C	1.0	115/208-230	60	1725	1	1.15	F	CED2797	TEFC	CONT.

DR BY:		 AG-I MOTORTEC INC. ,
APPD:		
FIRST ANGLE PROJECTION 	EDS DATE VERSION	DESCRIPTION K494 K104DF5CM00
CONFIDENTIAL PROPERTY OF GW ELECTRIC (SHANGHAI) CORPORATION AND ARE NOT TO BE DISCLOSED, DUPLICATED, OR OTHERWISE USED WITHOUT THE WRITTEN CONSENT OF GW ELECTRIC (SHANGHAI) CORPORATION, OR ITS AGENT, AG-I MOTORTEC INC. - ALL RIGHTS RESERVED		SIZE A3
		SCALE 1:2
		DWG NO
		SHEET