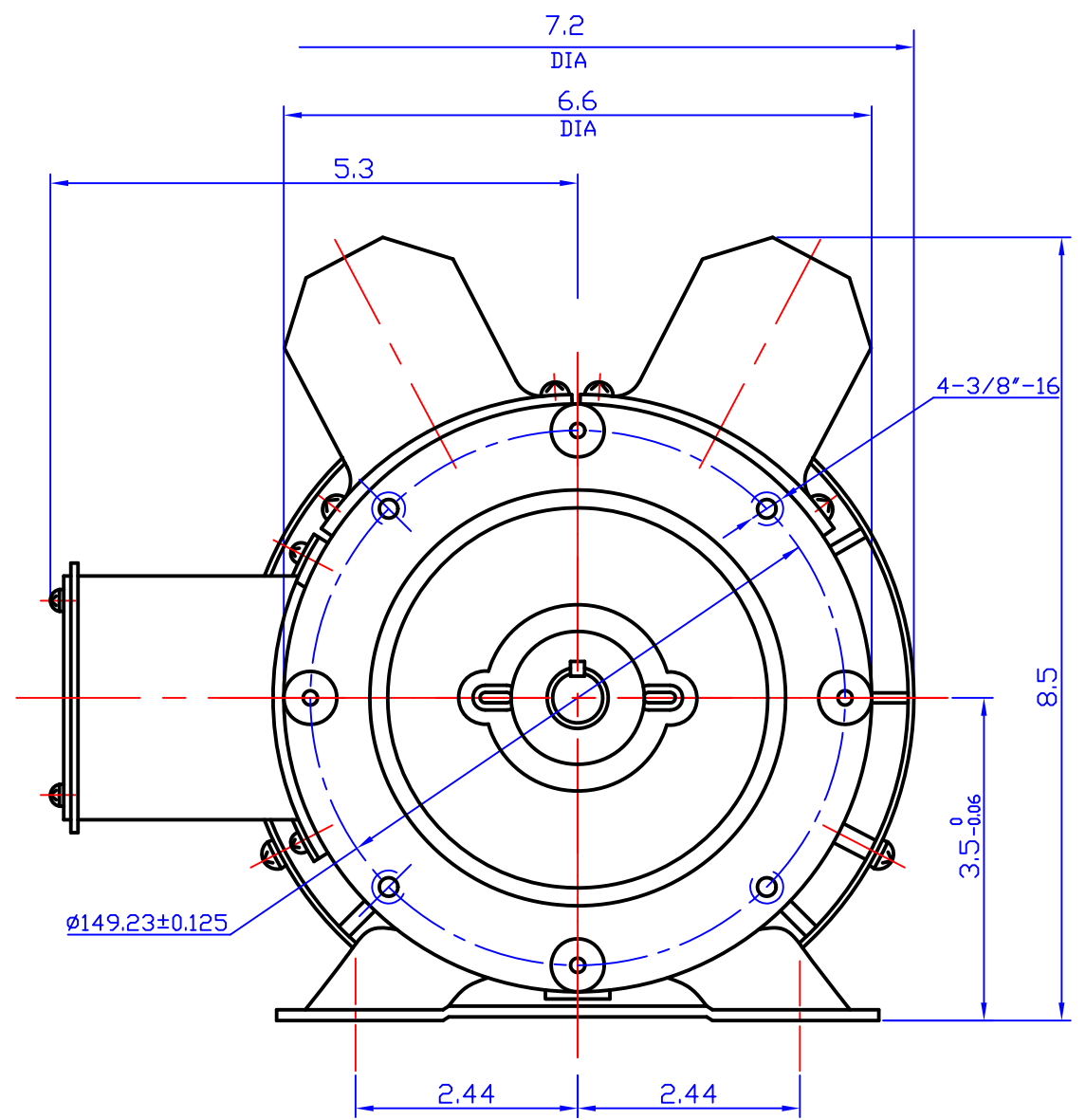
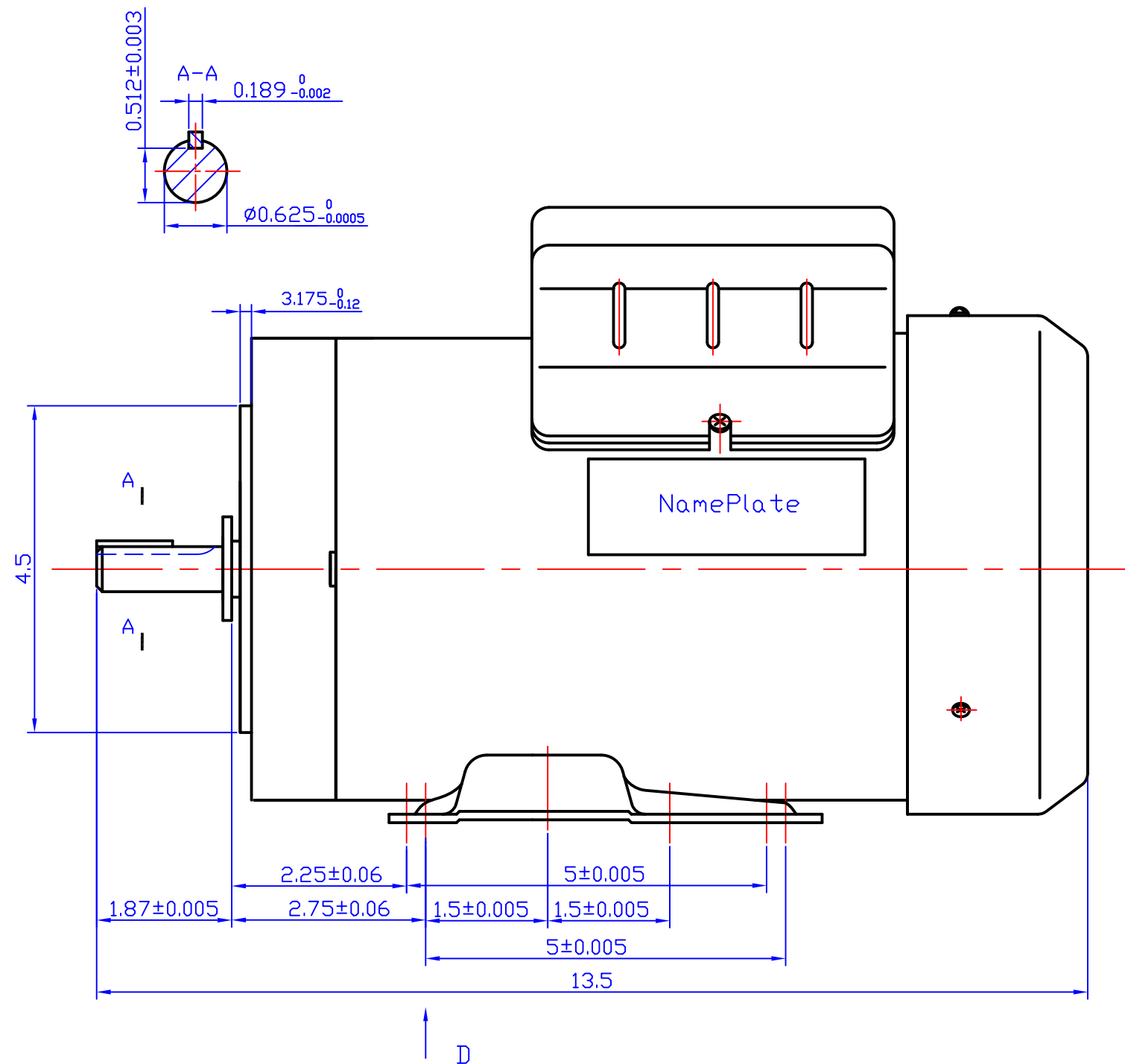
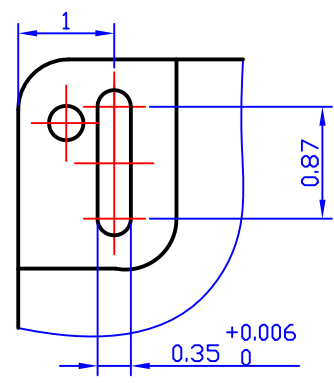


REV	ECO	REV BY	DATE	APPD	DATE



DIRECTION D



AG-I IND#	AG-I MODEL No.	FRAME	HP	VOLTS	Hz	RPM	PH	S.F.	INSL.	Thermally Protector	endclose	DUTY
K401C	K106DF5FNP5	56C	1.0	115/208-230	60	1160	1	1.0	F	NONE	TEFC	CONT.

DR BY:

APPD: **Candy**

FIRST ANGLE PROJECTION EDS DATE **03/09/2023**
VERSION

CONFIDENTIAL PROPERTY OF GW ELECTRIC (SHANGHAI) CORPORATION AND ARE NOT TO BE DISCLOSED, DUPLICATED, OR OTHERWISE USED WITHOUT THE WRITTEN CONSENT OF GW ELECTRIC (SHANGHAI) CORPORATION, OR ITS AGENT, AG-I MOTORTEC INC. - ALL RIGHTS RESERVED

AG-I MOTORTEC INC.,

DESCRIPTION

K401C K106DF5FNP5

SIZE **A3** DWG NO

SCALE **1:2** SHEET