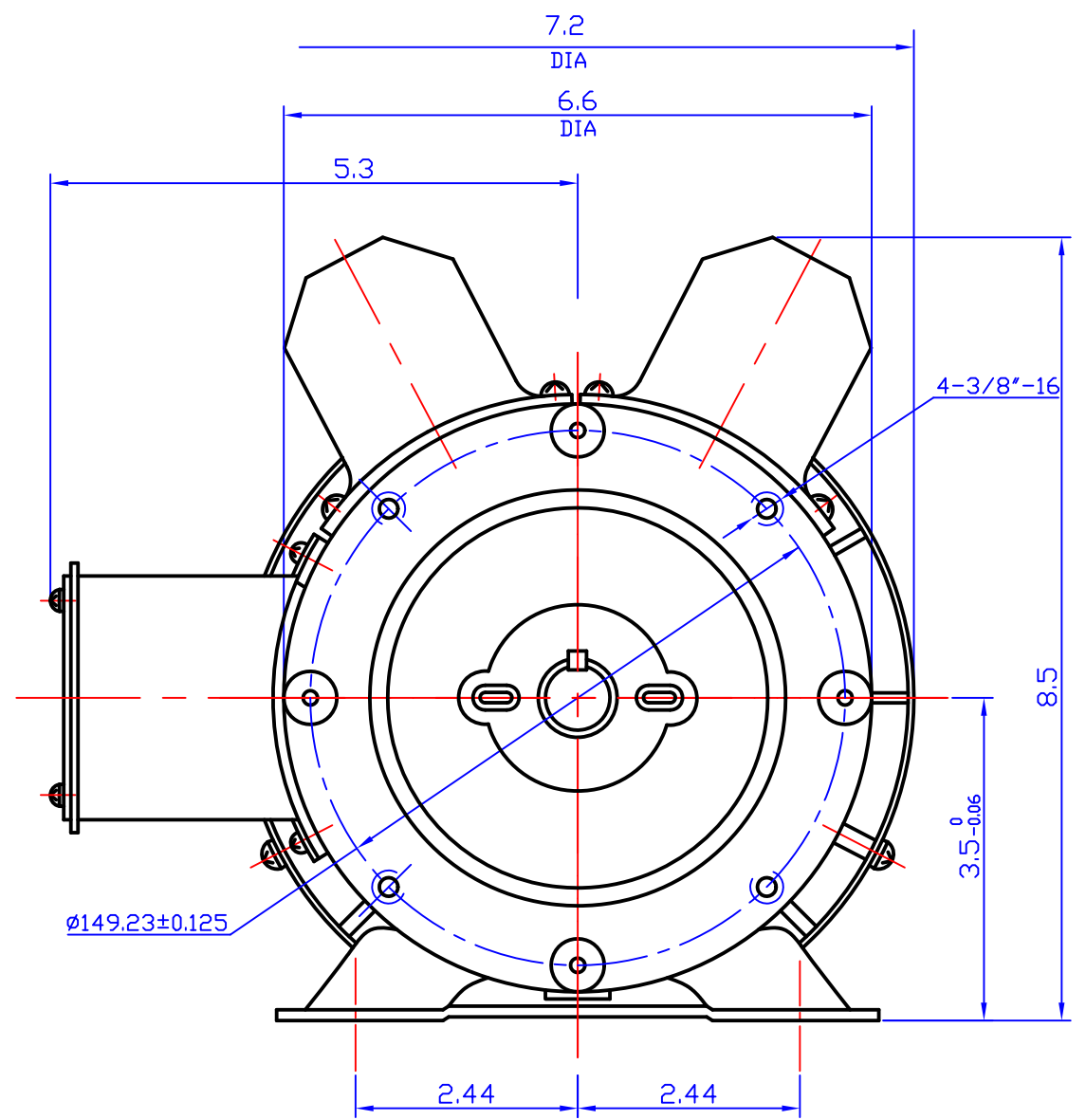
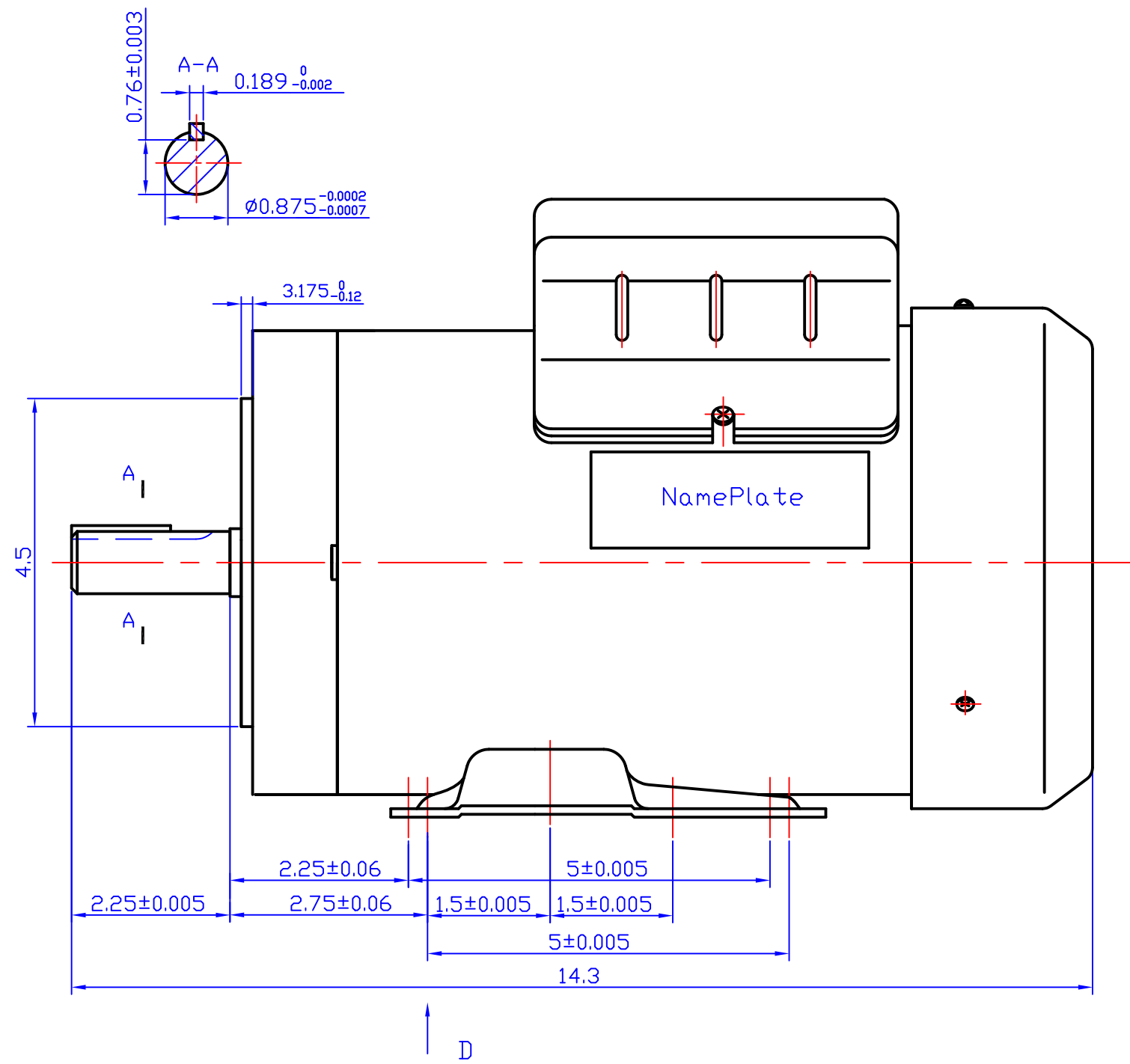
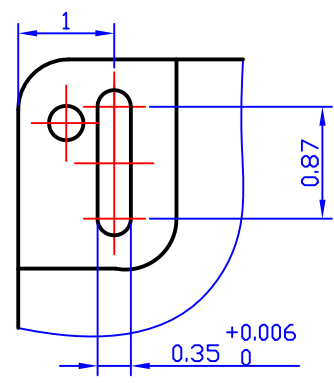


REV	ECO	REV BY	DATE	APPD	DATE



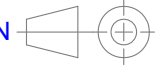
DIRECTION D



AG-I MODEL No.	FRAME	HP	VOLTS	Hz	RPM	PH	S.F.	INSL.	Thermally Protector	endclose	DUTY
K302IF7BN14	56HCZ	3.0	230	60	3450	1	1.0	F	NONE	TEFC	CONT.

DR BY:

APPD: **Candy**

FIRST ANGLE PROJECTION  EDS DATE **03/08/2023**
VERSION

CONFIDENTIAL PROPERTY OF GW ELECTRIC (SHANGHAI) CORPORATION AND ARE NOT TO BE DISCLOSED, DUPLICATED, OR OTHERWISE USED WITHOUT THE WRITTEN CONSENT OF GW ELECTRIC (SHANGHAI) CORPORATION, OR ITS AGENT, AG-I MOTORTEC INC. - ALL RIGHTS RESERVED



AG-I MOTORTEC INC.,

DESCRIPTION

K341C K302IF7BN14

SIZE **A3** DWG NO

SCALE **1:2** SHEET