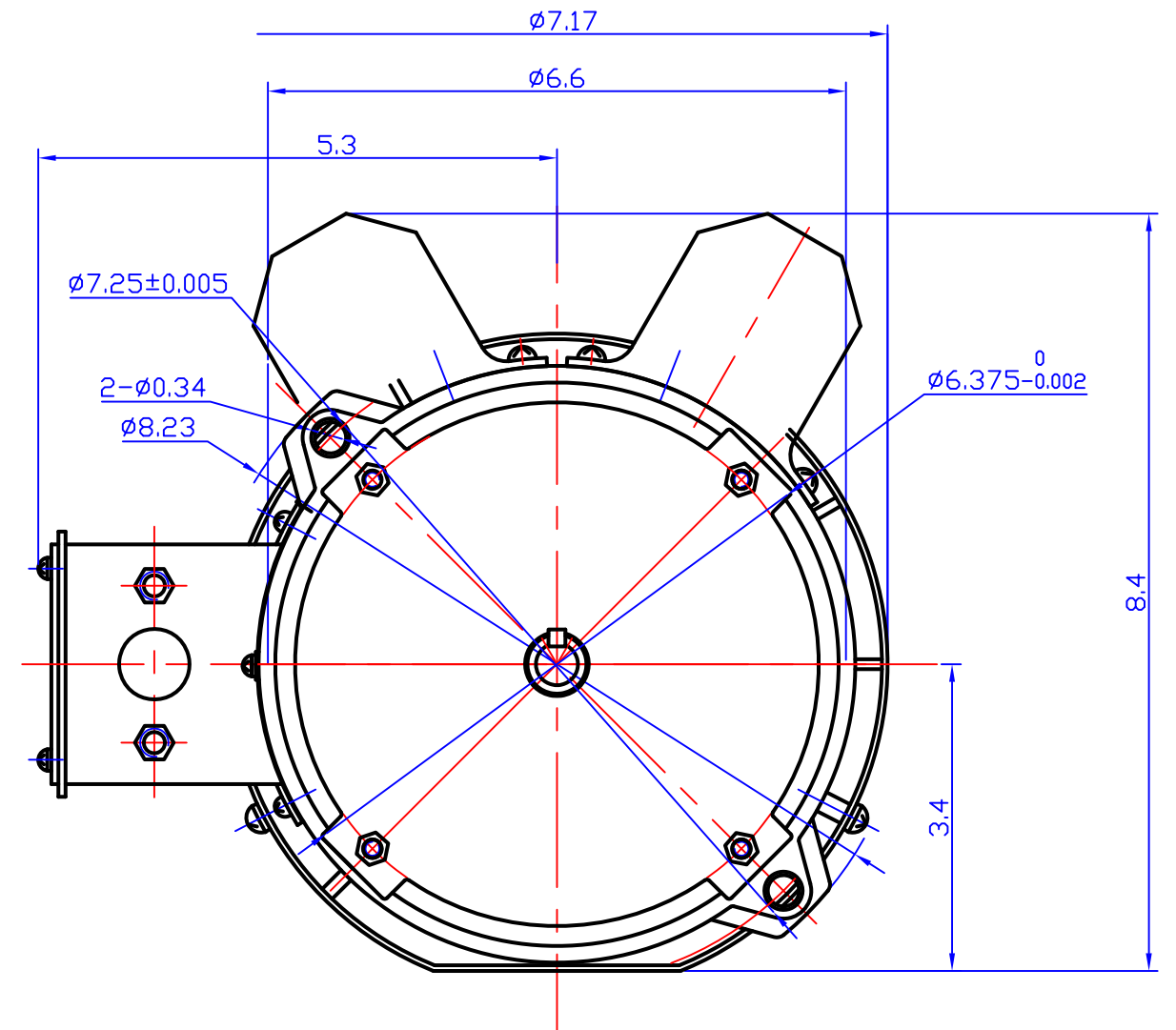
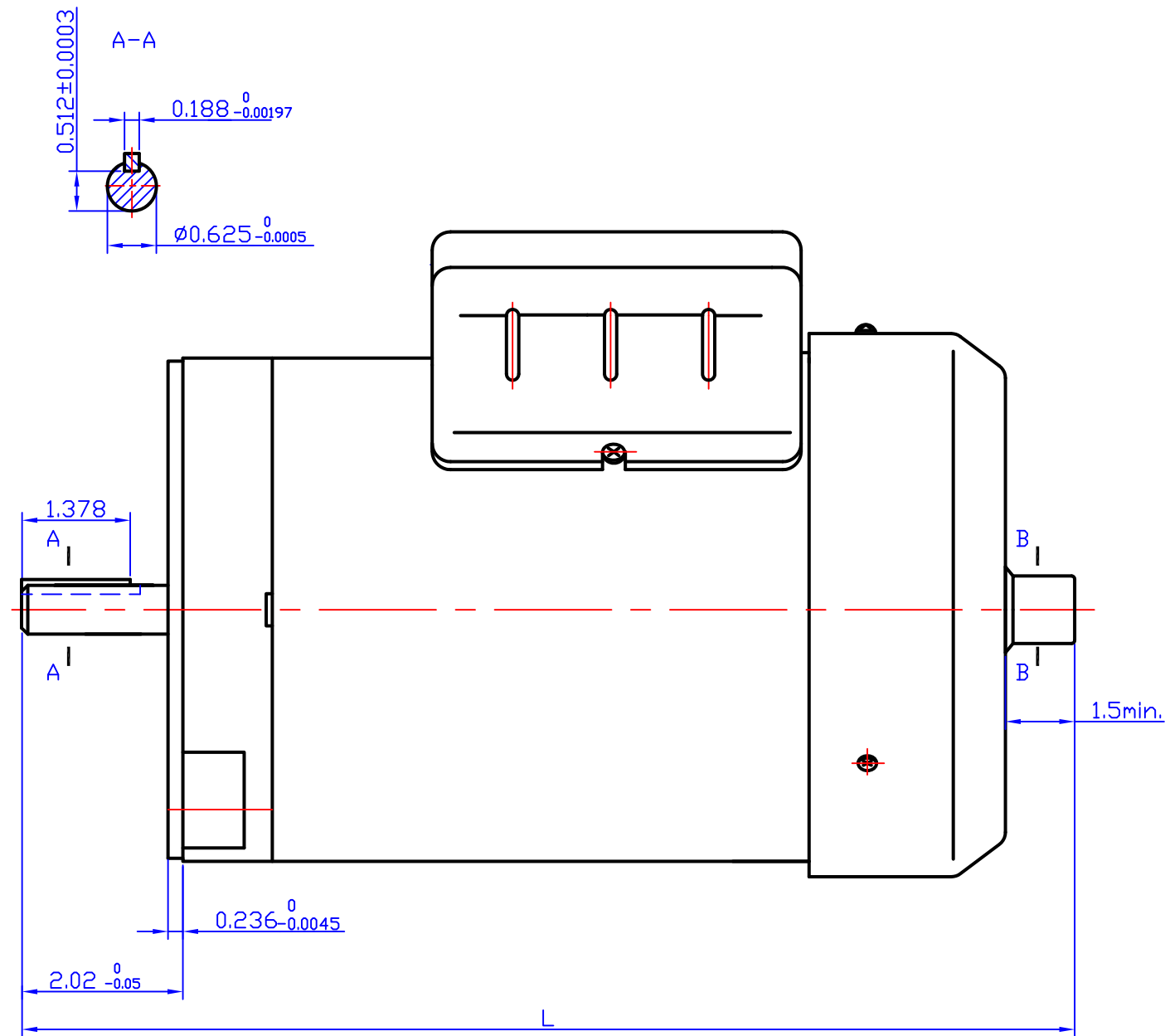
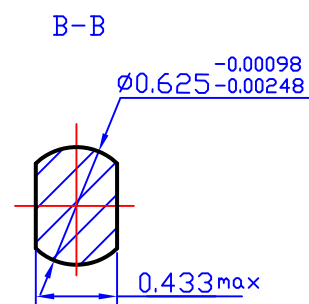


REV	ECO	REV BY	DATE	APPD	DATE

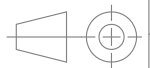


AGI REF.NO	VOLTS	FRAME	Hz	Pole	HP	RPM	PH	THERMALLY PROTECTED	L
K104DF5NMAU	115/208-230	56NY	60	4	1.0	1745	1	MAN.	13.1
K154DF5NMAU	115/208-230	56NY	60	4	1.5	1745	1	MAN.	13.5



DR BY: Candy

APPD:

FIRST ANGLE PROJECTION  EDS DATE  
VERSION

CONFIDENTIAL PROPERTY OF GW ELECTRIC (SHANGHAI) CORPORATION AND ARE NOT TO BE DISCLOSED, DUPLICATED, OR OTHERWISE USED WITHOUT THE WRITTEN CONSENT OF GW ELECTRIC (SHANGHAI) CORPORATION, OR ITS AGENT, AG-I MOTORTEC INC.  
- ALL RIGHTS RESERVED



AG-I MOTORTEC INC.,

DESCRIPTION

K294, K295

SIZE DWG NO

A3

SCALE 1:2

SHEET