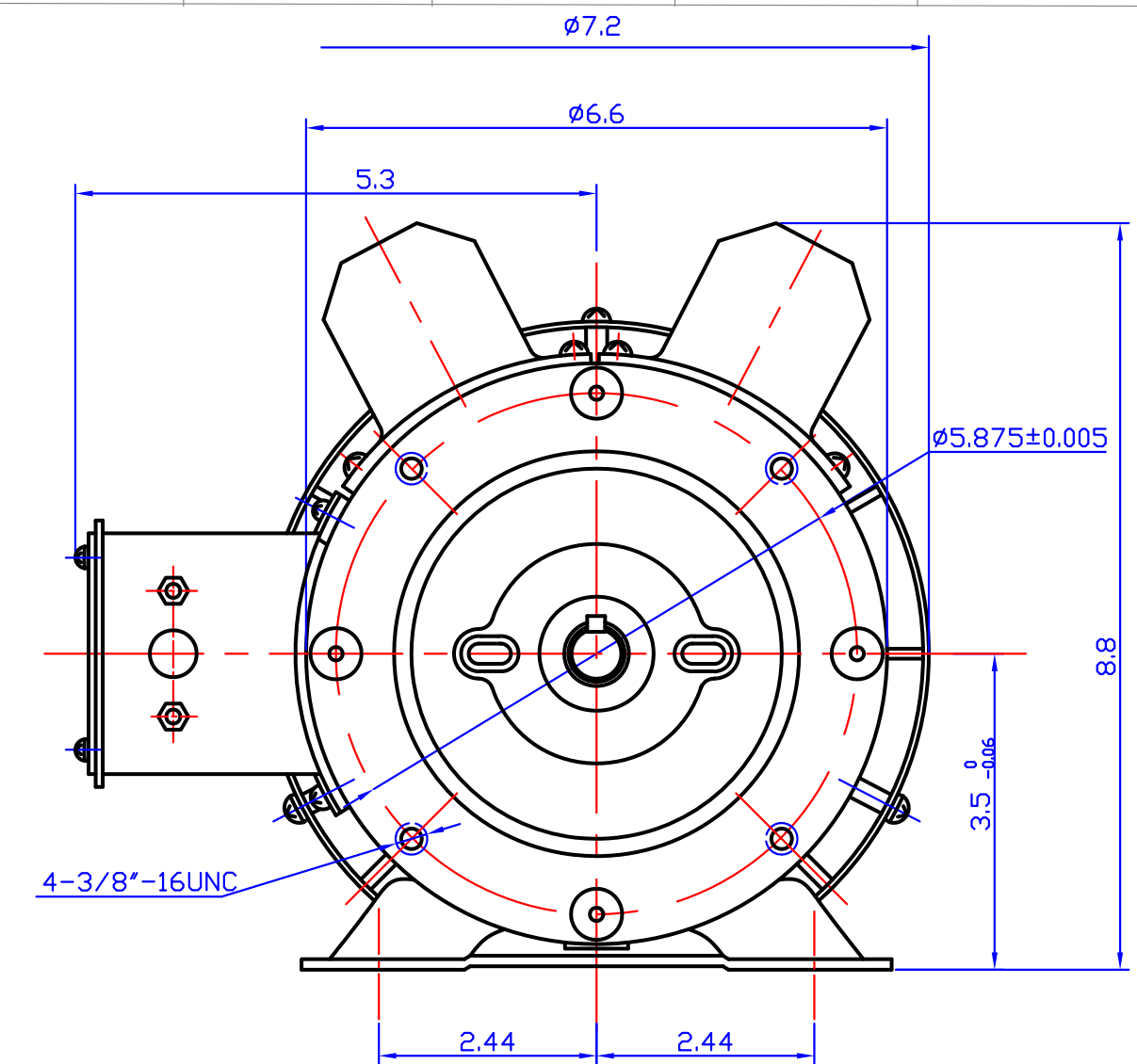
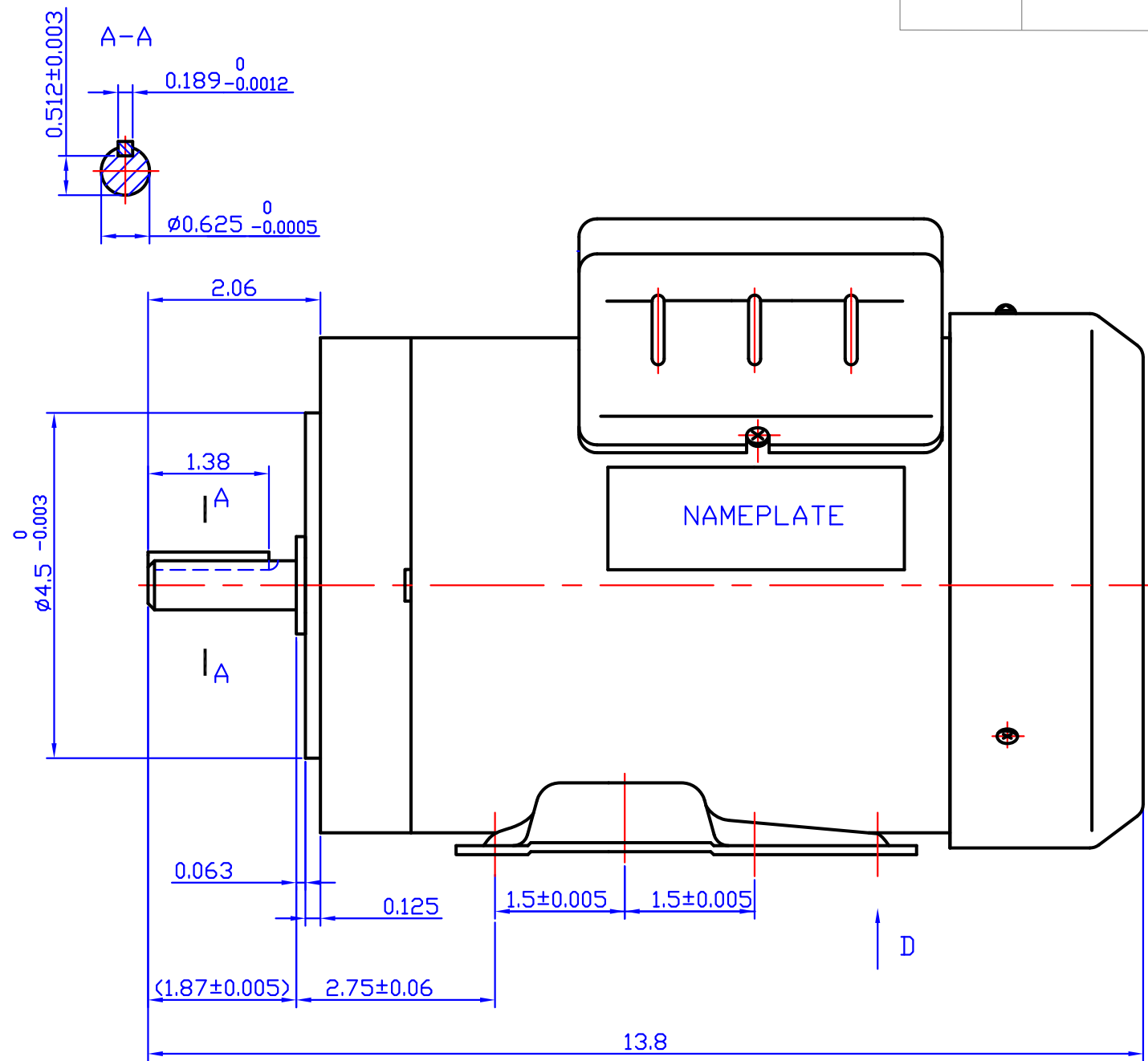
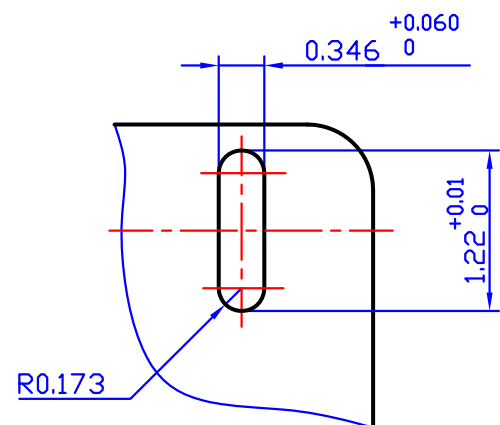


REV	ECO	REV BY	DATE	APPD	DATE



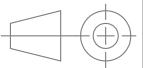
REF.NO.	IND#	FRAME	Pole	PH	HP	RPM	Hz	Volt	thermal protector
K204HF5FM00	K090Z	56C	4	1	2.0	1725	60	230	MAN

DIRECTION D



DR BY: _____

APPD: _____

FIRST ANGLE PROJECTION 

EDS DATE _____
VERSION _____

CONFIDENTIAL PROPERTY OF GW ELECTRIC (SHANGHAI) CORPORATION AND ARE NOT TO BE DISCLOSED, DUPLICATED, OR OTHERWISE USED WITHOUT THE WRITTEN CONSENT OF GW ELECTRIC (SHANGHAI) CORPORATION, OR ITS AGENT, AG-I MOTORTEC INC. - ALL RIGHTS RESERVED



AG-I MOTORTEC INC.,

DESCRIPTION

K090Z OUTLINE

SIZE A3 DWG NO

SCALE 1:2

SHEET