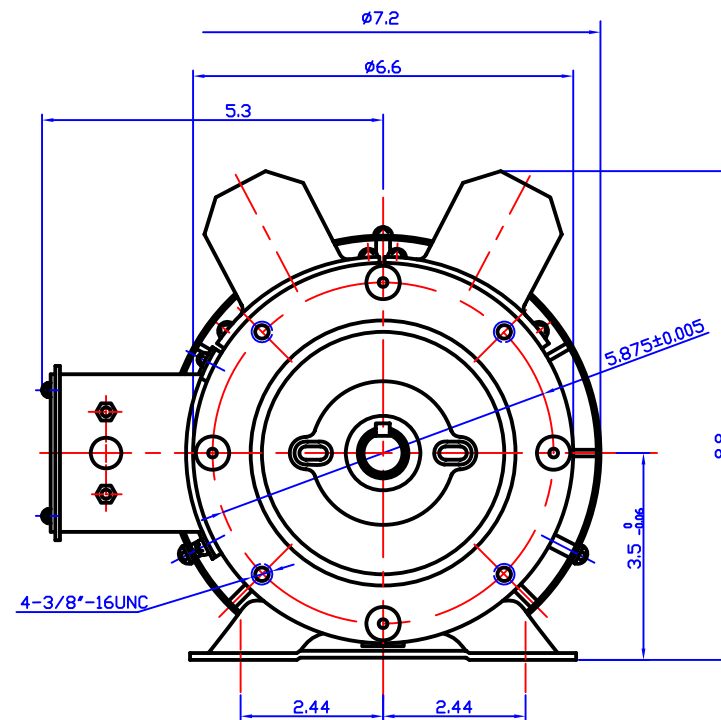
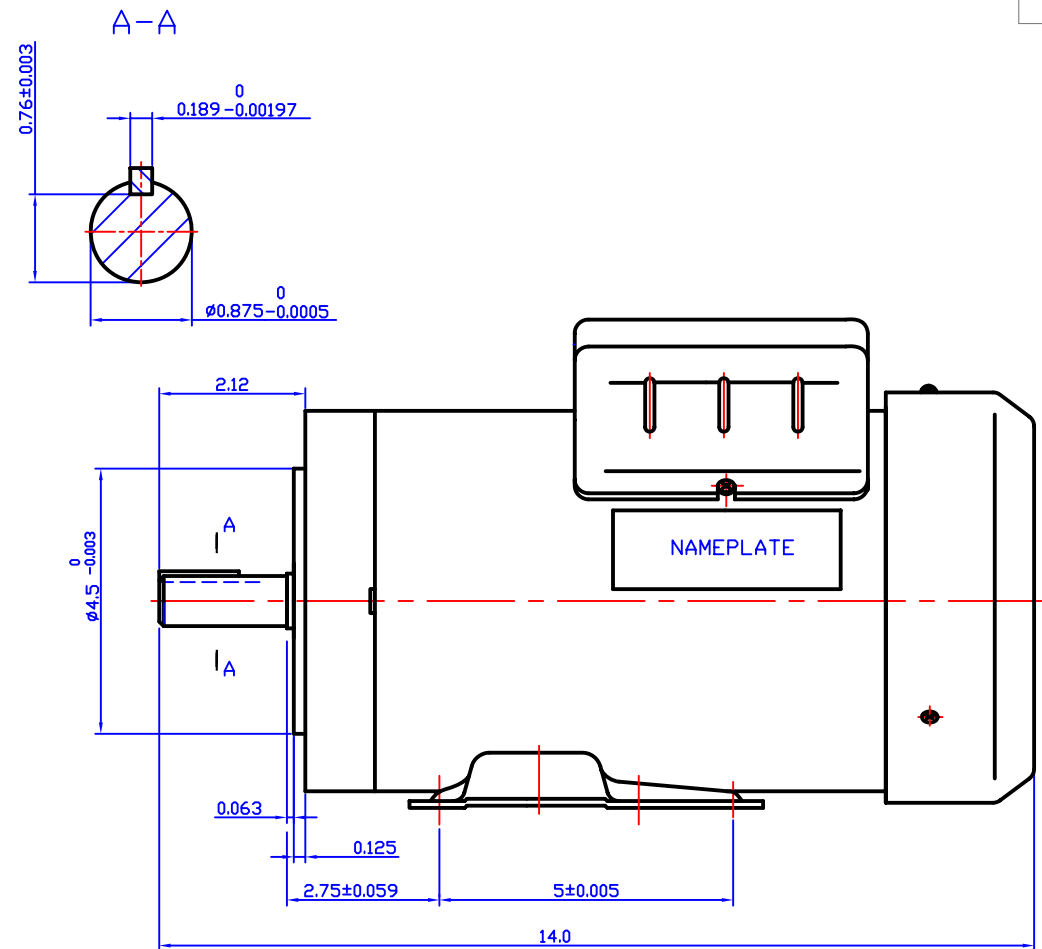

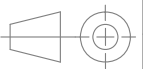


REV	ECO	REV BY	DATE	APPD	DATE



AGI REF#	FRAME	Pole	PH	HP	RPM	Hz	Volt	thermal protector
K090F	145TC	4	1	2.0	1725	60	230	CED3706

DR BY:		 AG-I MOTORTEC INC. ,
APPD:		
FIRST ANGLE PROJECTION 	EDS DATE VERSION	DESCRIPTION K090F OUTLINE
CONFIDENTIAL: THIS DRAWING AND ITS INFORMATION ARE THE EXCLUSIVE AND CONFIDENTIAL PROPERTY OF GW ELECTRIC (SHANGHAI) CORPORATION AND ARE NOT TO BE DISCLOSED, DUPLICATED, DISTRIBUTED OR OTHERWISE USED WITHOUT THE WRITTEN CONSENT OF GW ELECTRIC (SHANGHAI) CORPORATION. -ALL RIGHTS RESERVED.		SIZE A3
		DWG NO
		SCALE
		SHEET