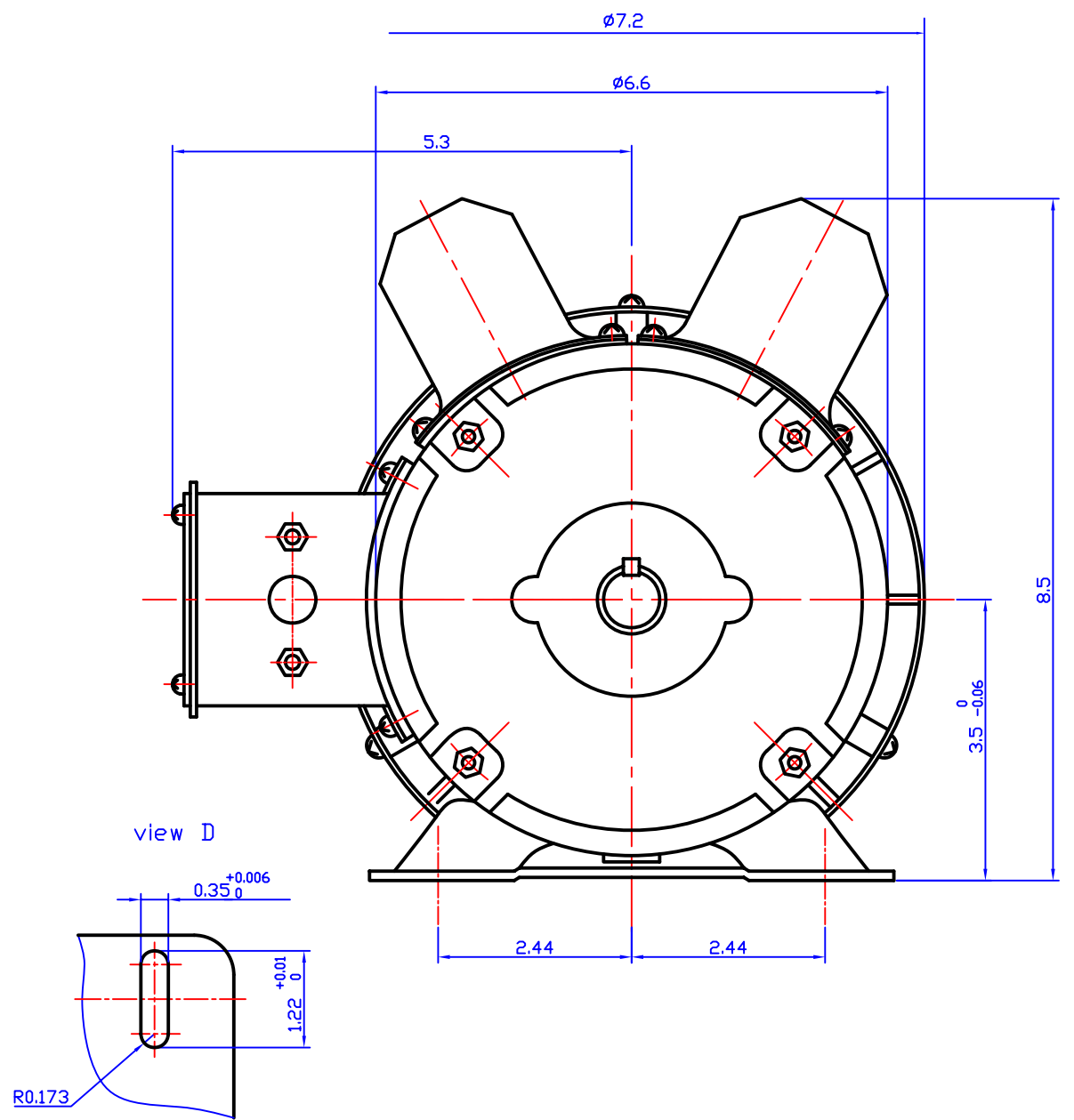
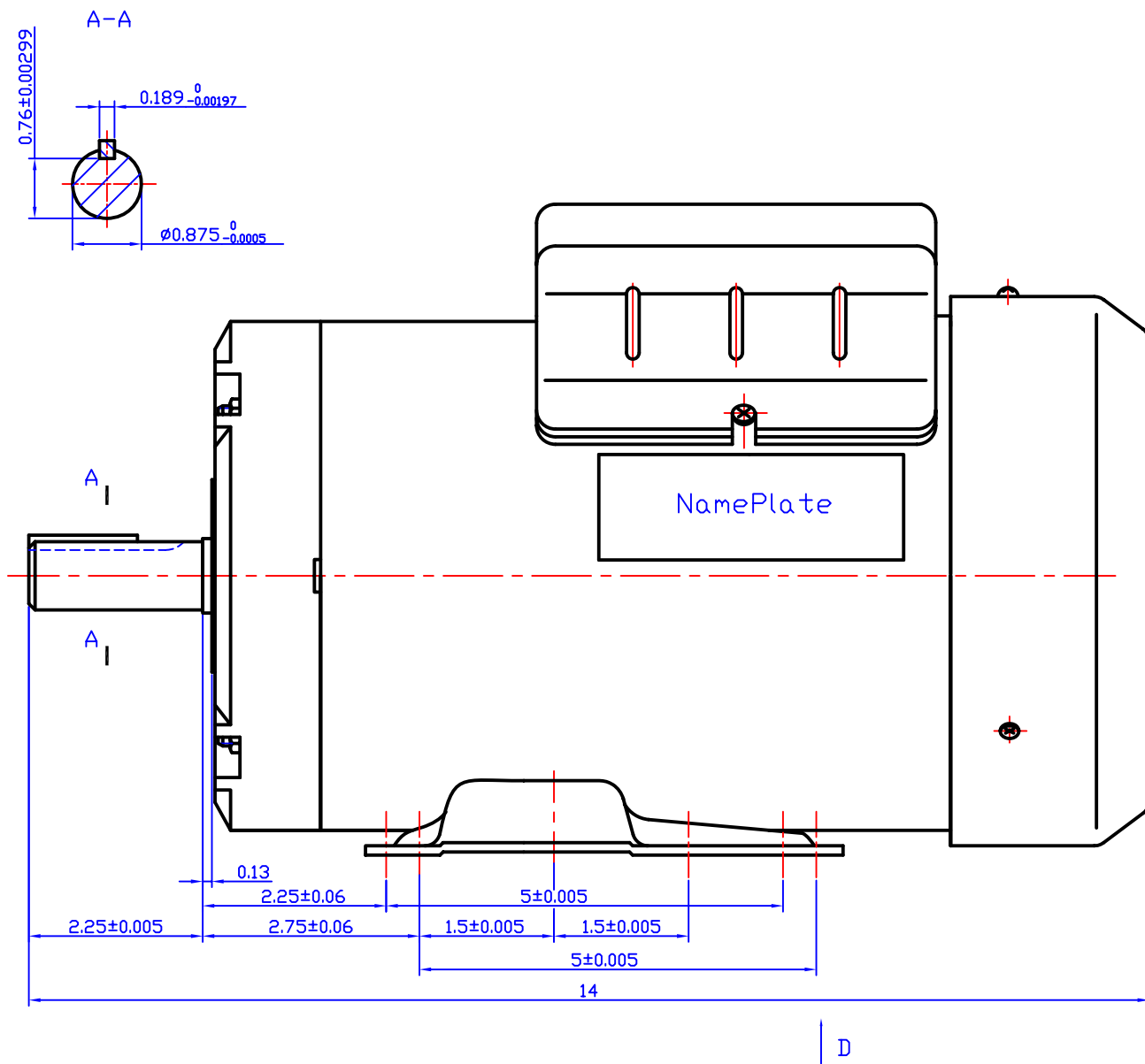


REV	ECO	REV BY	DATE	APPD	DATE



AGI REF#.	FRAME	PH	HP	Pole	Hz	RPM	Volt	thermal protector
K090	145T	1	2	4	60	1725	230	CED3706

DR BY:

APPD:

FIRST ANGLE PROJECTION

EDS DATE  
VERSION

CONFIDENTIAL: THIS DRAWING AND ITS INFORMATION ARE THE EXCLUSIVE AND CONFIDENTIAL PROPERTY OF GW ELECTRIC (SHANGHAI) CORPORATION AND ARE NOT TO BE DISCLOSED, DUPLICATED, DISTRIBUTED OR OTHERWISE USED WITHOUT THE WRITTEN CONSENT OF GW ELECTRIC (SHANGHAI) CORPORATION.  
-ALL RIGHTS RESERVED.



AG-I MOTORTEC INC. ,

DESCRIPTION

OUTLINE

SIZE A3 DWG NO

SCALE

SHEET