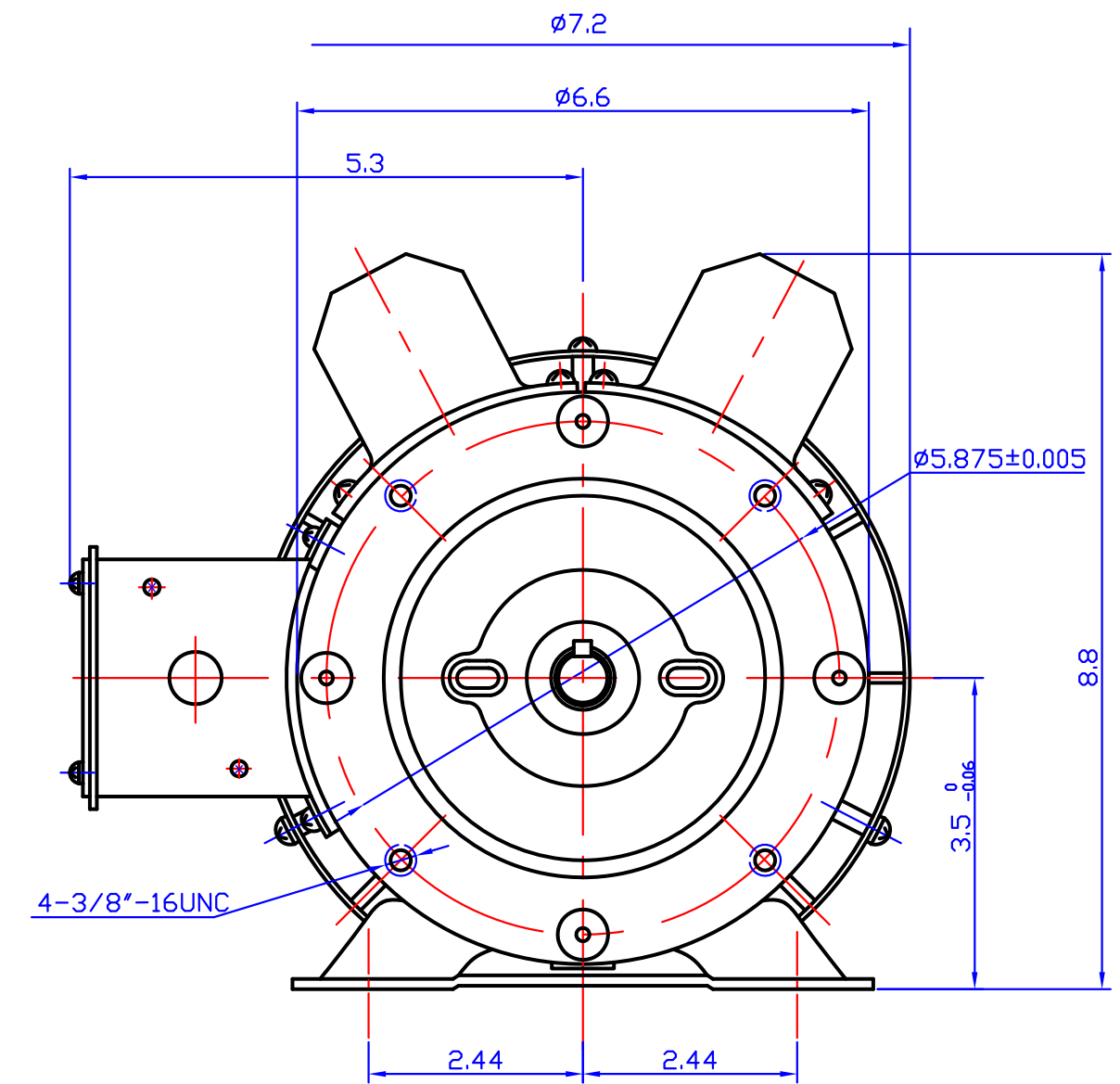
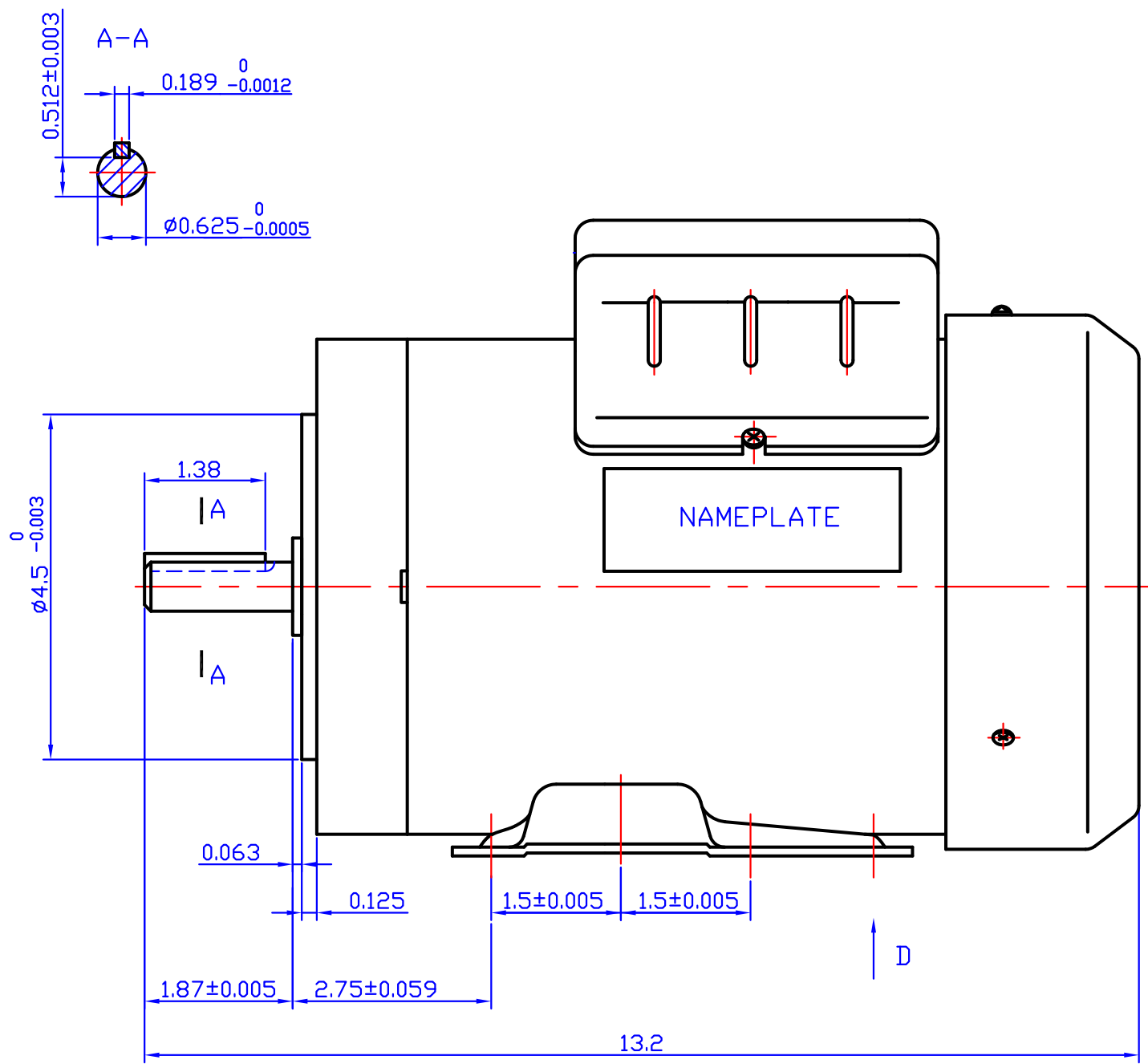
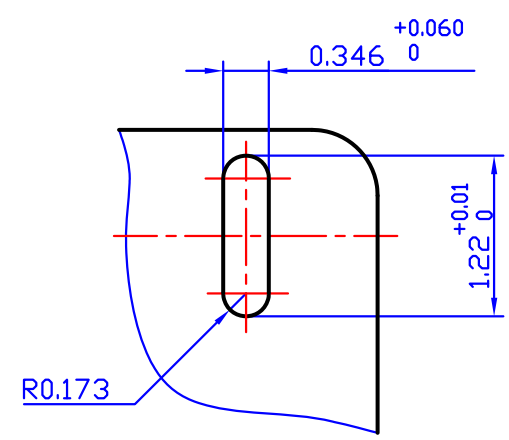


REV	ECO	REV BY	DATE	APPD	DATE



REF.NO.	IND#	FRAME	PH	HP	Pole	RPM	Hz	Volt	thermal protector
K154DF5FM00	K089C	56C	1	1.5	4	1725	60	115/208-230	MAN

DIRECTION D



DR BY:
 APPD:
 FIRST ANGLE PROJECTION EDS DATE
 VERSION
 CONFIDENTIAL PROPERTY OF GW ELECTRIC (SHANGHAI) CORPORATION AND ARE NOT TO BE DISCLOSED, DUPLICATED, OR OTHERWISE USED WITHOUT THE WRITTEN CONSENT OF GW ELECTRIC (SHANGHAI) CORPORATION, OR ITS AGENT, AG-I MOTORTEC INC. - ALL RIGHTS RESERVED



AG-I MOTORTEC INC.,

DESCRIPTION	
K089C OUTLINE	
SIZE	DWG NO
A3	
SCALE	SHEET
1:2	