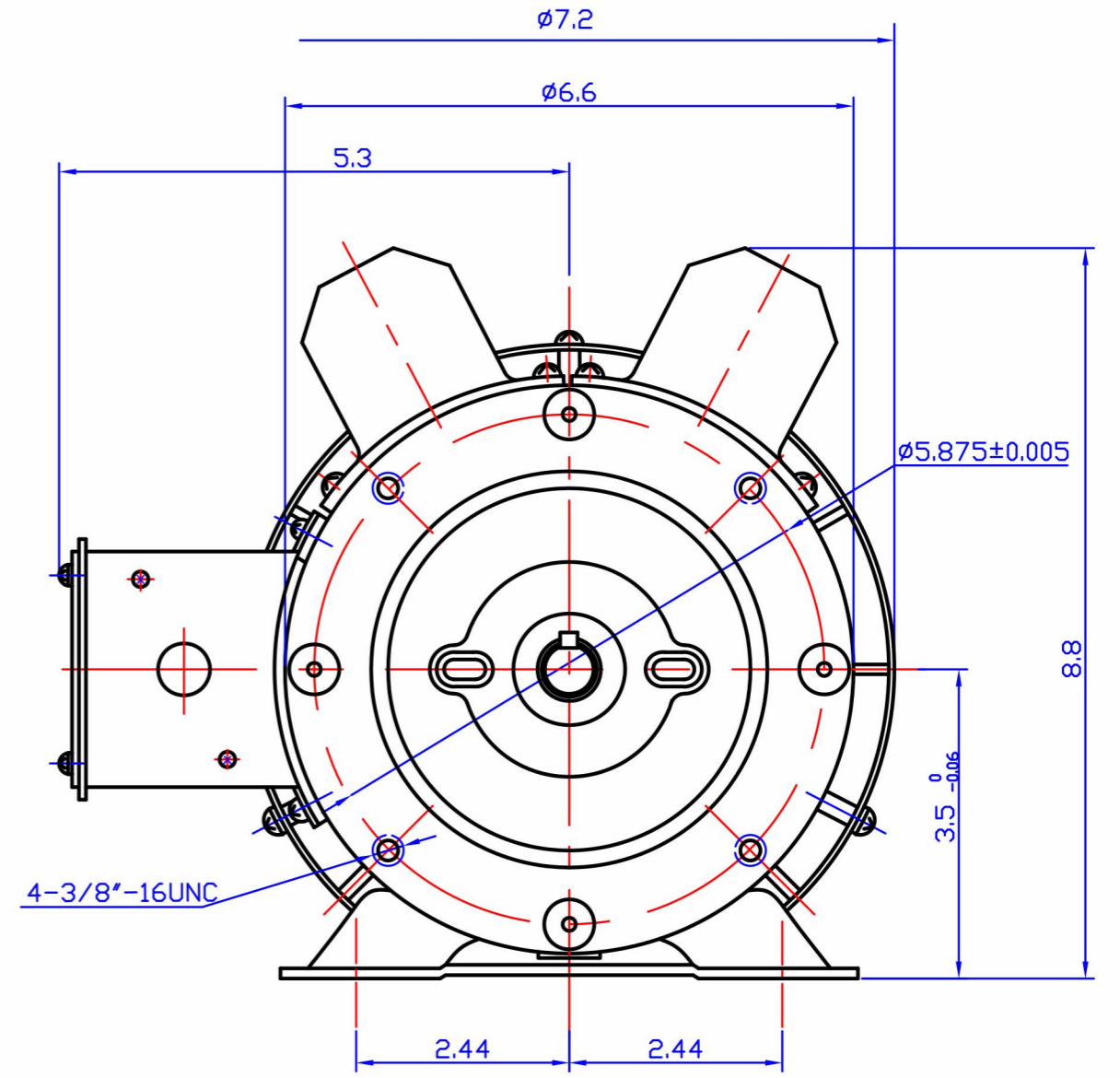
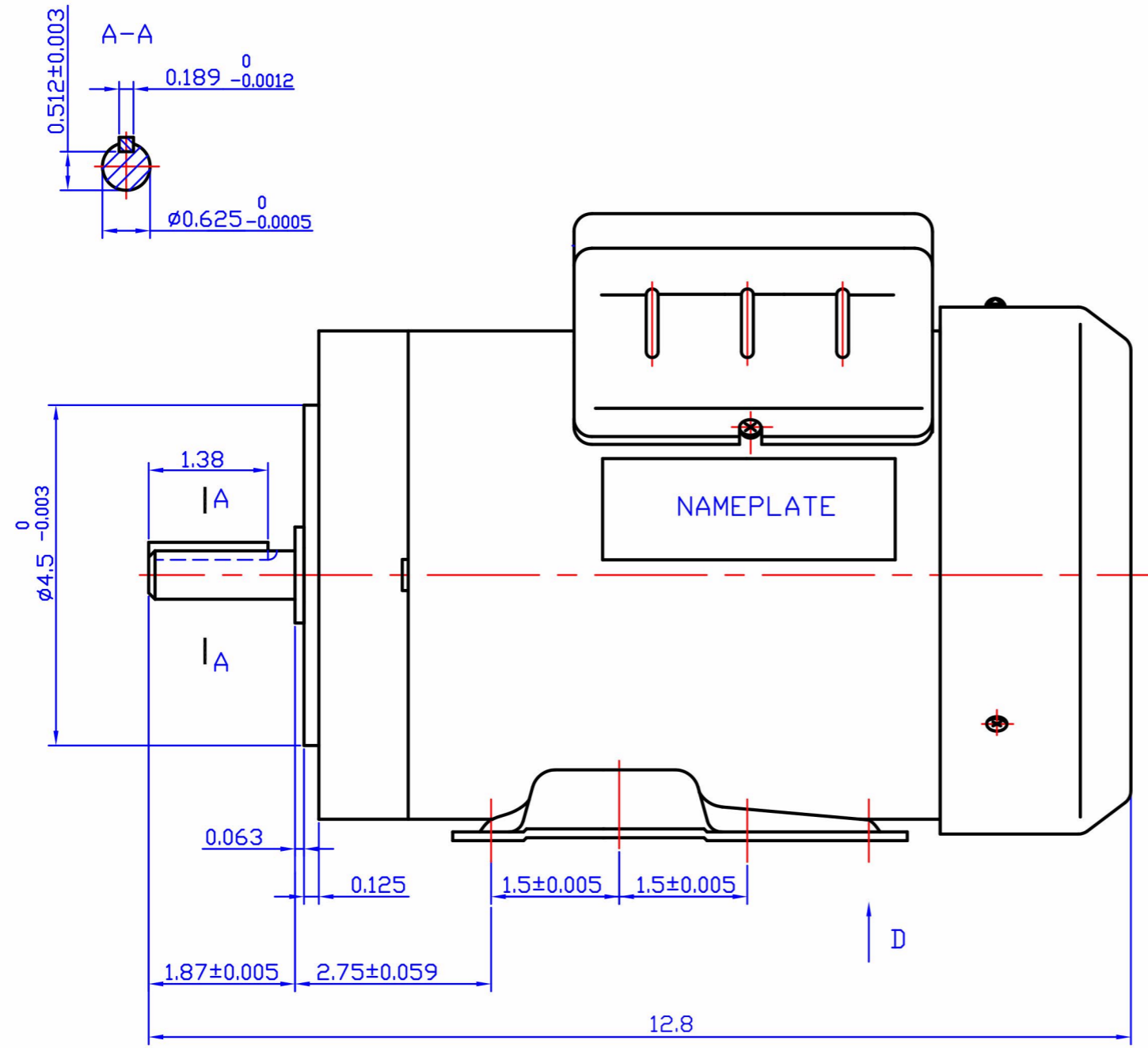
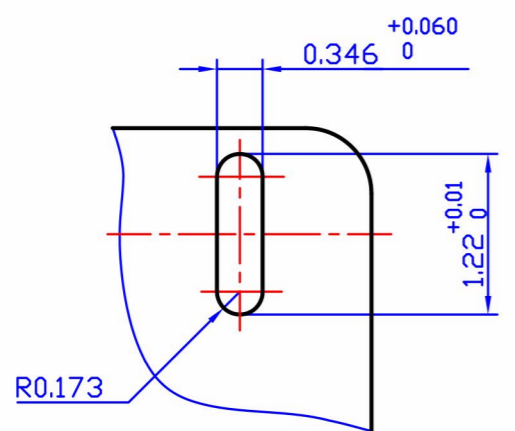


REV	ECO	REV BY	DATE	APPD	DATE



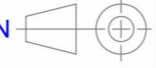
DIRECTION D



REF.NO.	IND#	FRAME	PH	HP	Pole	RPM	Hz	Volt	thermal protector
K104DF5FM00	K088C	56C	1	1.5	4	1725	60	115/208-230	MAN

DR BY: \_\_\_\_\_

APPD: \_\_\_\_\_

FIRST ANGLE PROJECTION  EDS DATE \_\_\_\_\_  
VERSION \_\_\_\_\_

CONFIDENTIAL PROPERTY OF GW ELECTRIC (SHANGHAI) CORPORATION AND ARE NOT TO BE DISCLOSED, DUPLICATED, OR OTHERWISE USED WITHOUT THE WRITTEN CONSENT OF GW ELECTRIC (SHANGHAI) CORPORATION, OR ITS AGENT, AG-1 MOTORTEC INC. - ALL RIGHTS RESERVED



AG-1 MOTORTEC INC. ,

DESCRIPTION	
K088C OUTLINE	
SIZE	DWG NO
A3	
SCALE	SHEET
1:2	