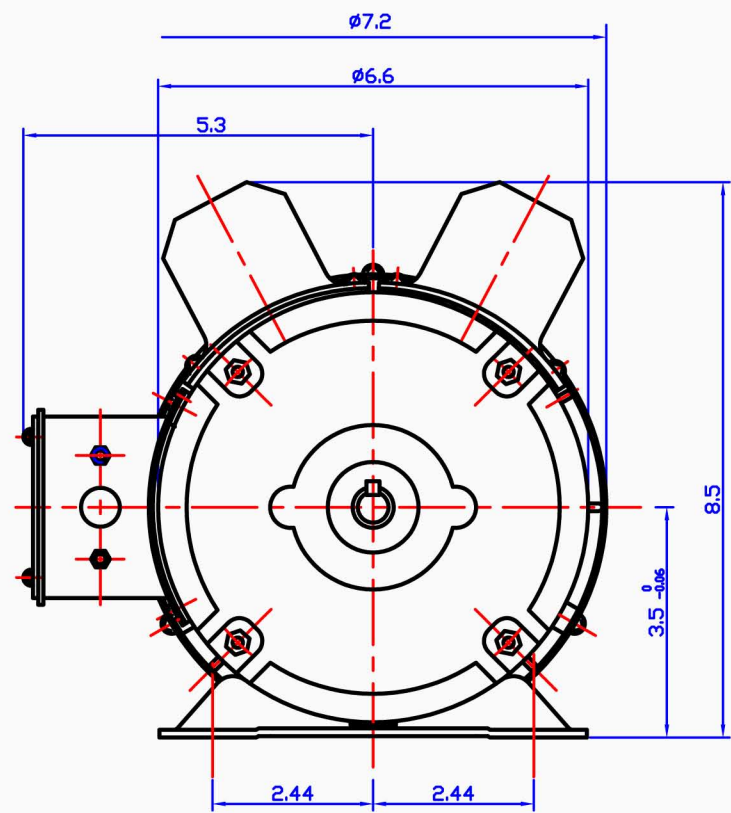
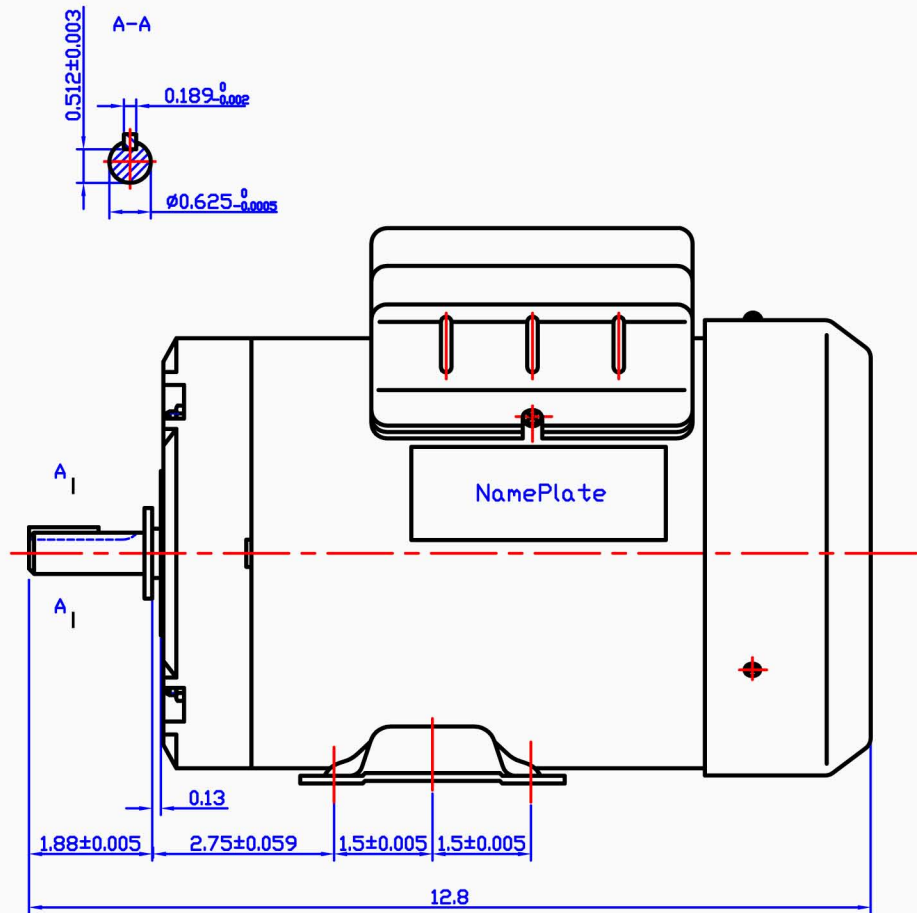



REV	ECO	REV BY	DATE	APPD	DATE
-----	-----	--------	------	------	------



AG-I .MODEL No	FRAME	HP	VOLTS	Hz	RPM	PH	S.F	INSL.	Manual Protector	enclose	DUTY
K104DF5BM00	56	1	115/208-230	60	1725	1	1.15	F	CED2797	TEFC	CONT.

DR BY:

APPD:

FIRST ANGLE PROJECTION  EDS DATE VERSION

CONFIDENTIAL PROPERTY OF GW ELECTRIC (SHANGHAI) CORPORATION AND ARE NOT TO BE DISCLOSED, DUPLICATED, OR OTHERWISE USED WITHOUT THE WRITTEN CONSENT OF GW ELECTRIC (SHANGHAI) CORPORATION, OR ITS AGENT, AG-I MOTORTEC INC.
- ALL RIGHTS RESERVED



AG-I MOTORTEC INC. ,

DESCRIPTION
K088 K104DF5BM00

SIZE **A3** DWG NO

SCALE **1:2** SHEET