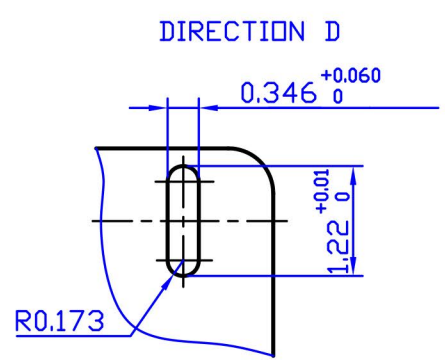
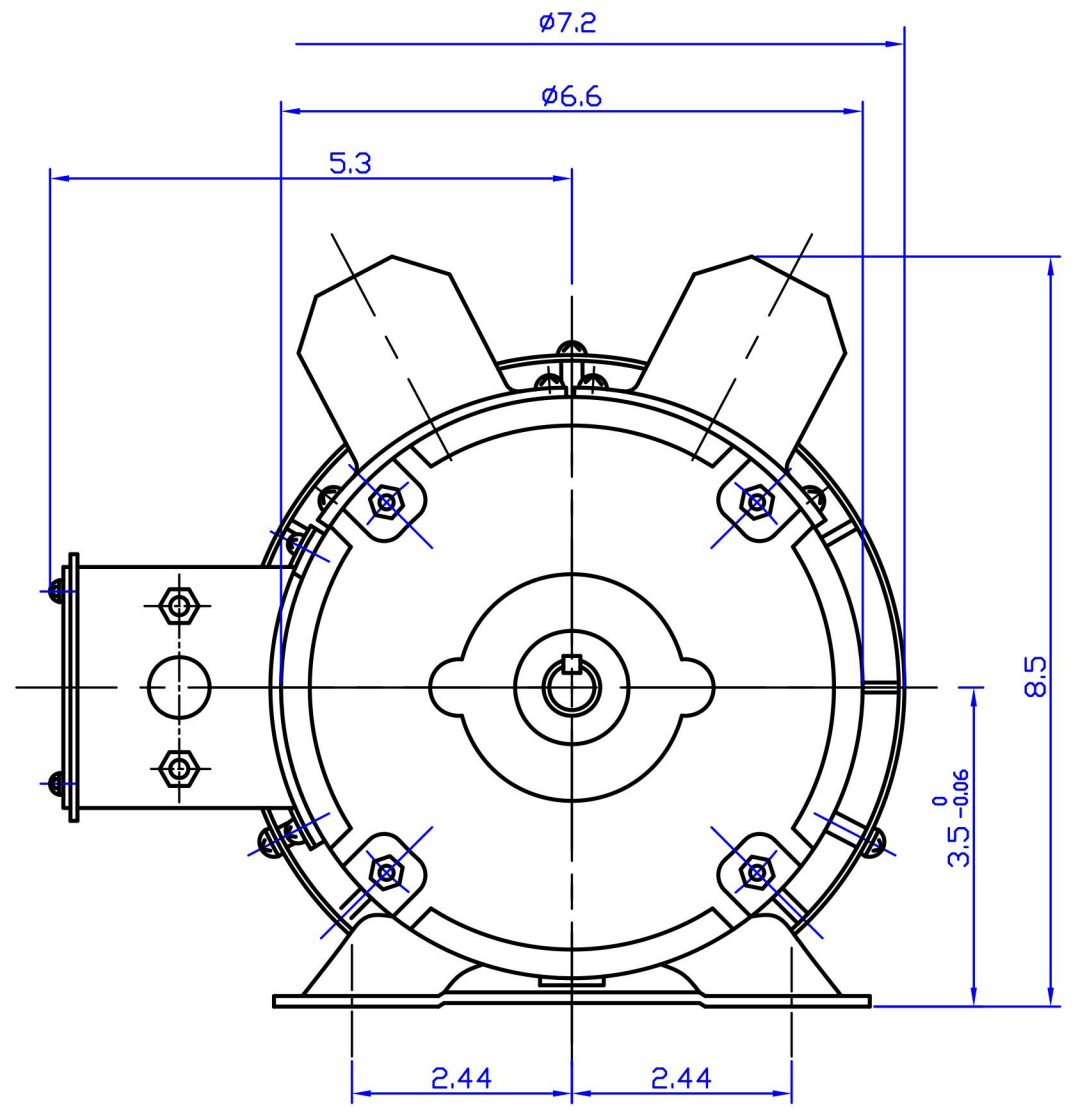
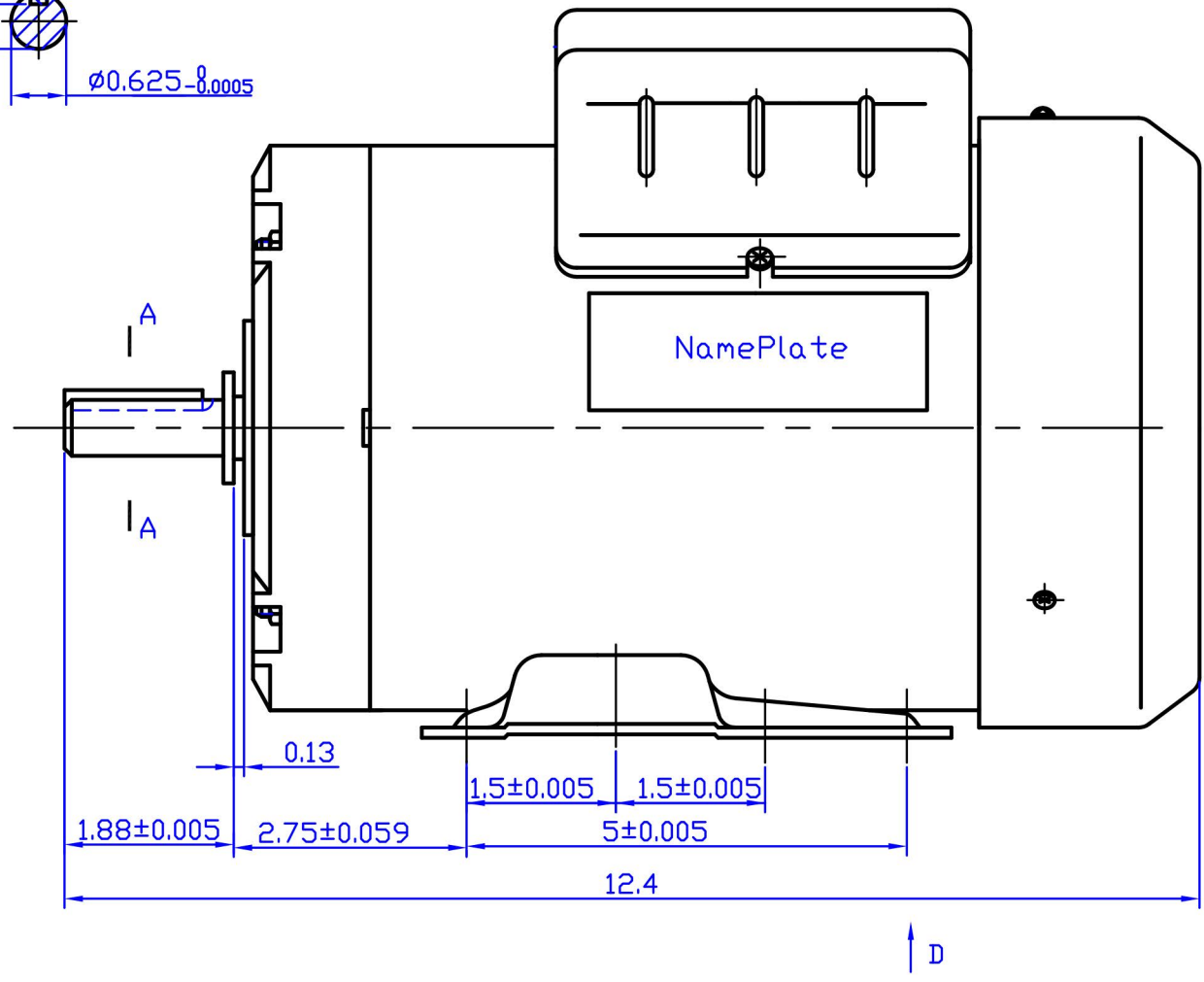
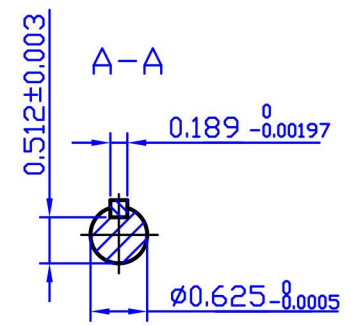


| REV | ECO | REV BY | DATE | APPD | DATE |
|-----|-----|--------|------|------|------|
|     |     |        |      |      |      |



| REF.NO.     | FRAME | PH | HP  | Pole | RPM  | Hz | Volt        | thermal protector |
|-------------|-------|----|-----|------|------|----|-------------|-------------------|
| K754DF5BMP5 | 56    | 1  | 3/4 | 4    | 1725 | 60 | 115/208-230 | MAN.              |

|                        |                     |
|------------------------|---------------------|
| DR BY:                 |                     |
| APPD:                  |                     |
| FIRST ANGLE PROJECTION | EDS DATE<br>VERSION |



|             |        |
|-------------|--------|
| DESCRIPTION |        |
| K087        |        |
| SIZE        | DWG NO |
| A3          |        |
| SCALE       | SHEET  |

CONFIDENTIAL: THIS DRAWING AND ITS INFORMATION ARE THE EXCLUSIVE AND CONFIDENTIAL PROPERTY OF GW ELECTRIC (SHANGHAI) CORPORATION AND ARE NOT TO BE DISCLOSED, DUPLICATED, DISTRIBUTED OR OTHERWISE USED WITHOUT THE WRITTEN CONSENT OF GW ELECTRIC (SHANGHAI) CORPORATION.  
-ALL RIGHTS RESERVED.