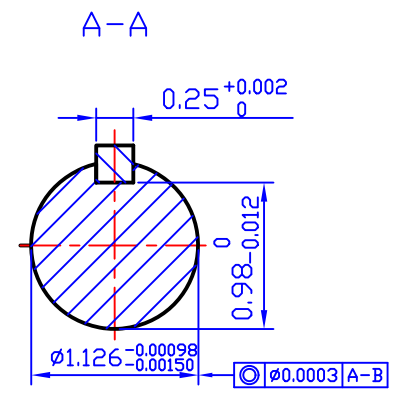
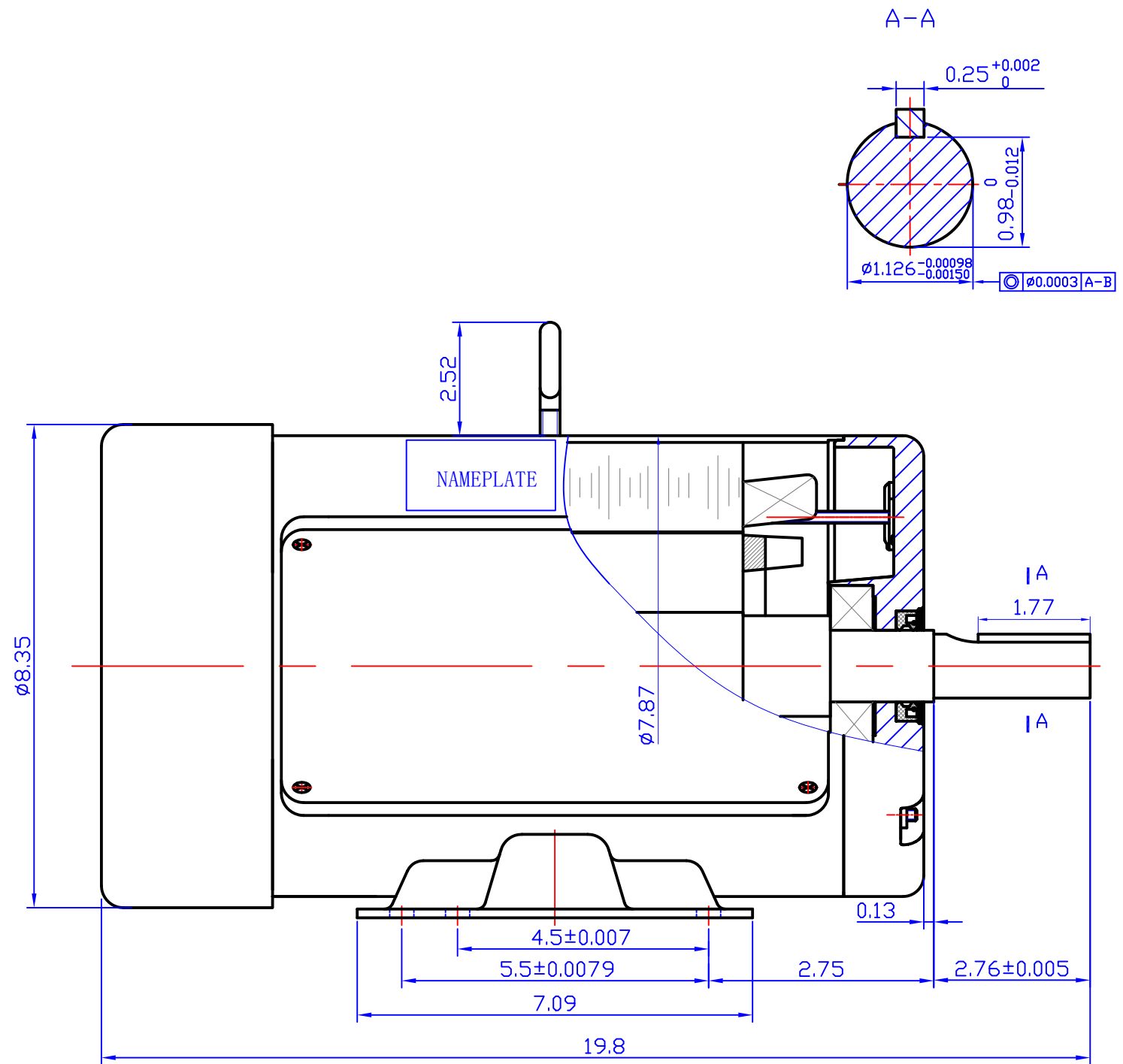
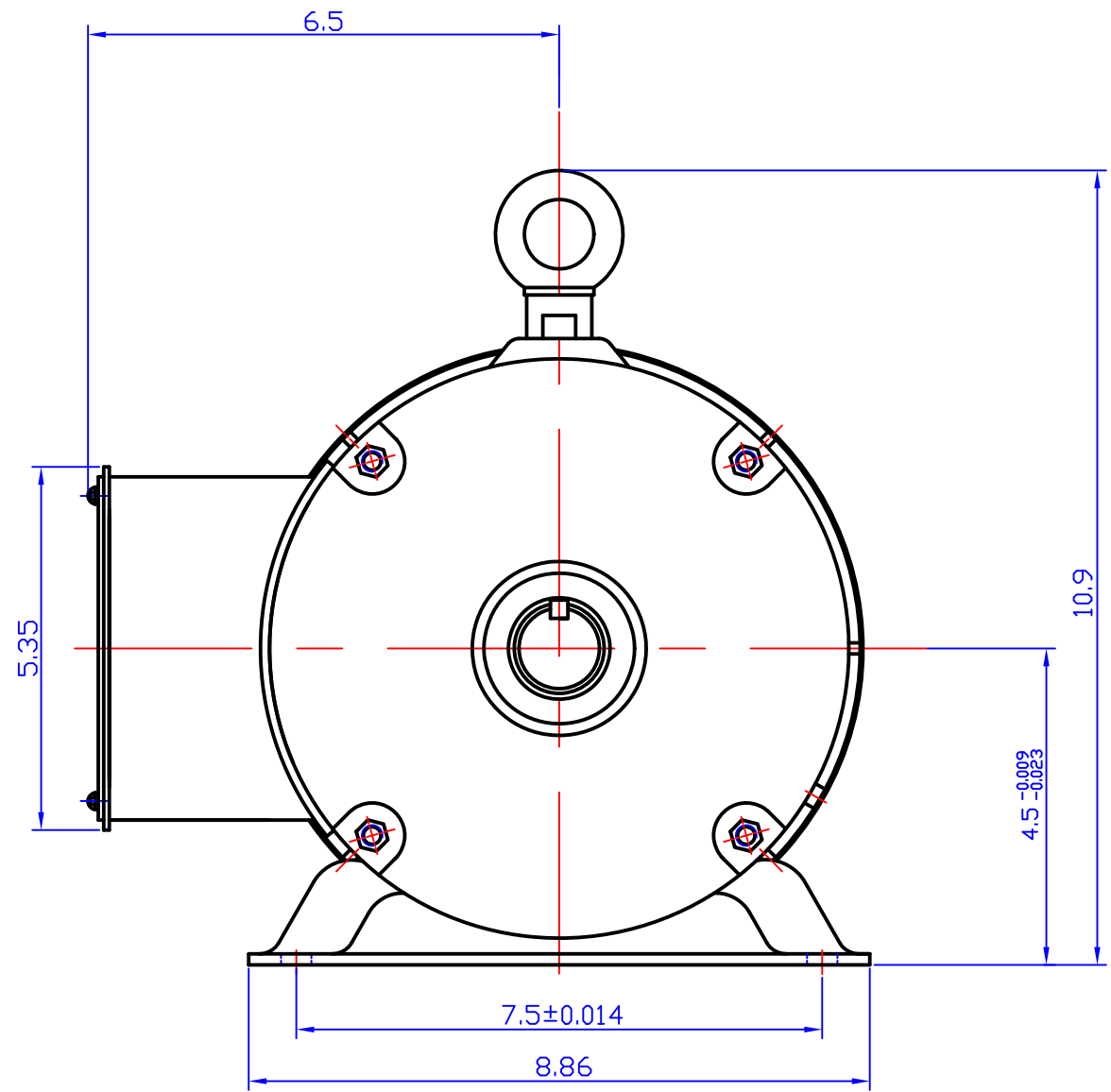


| REV | ECO | REV BY | DATE | APPD | DATE |
|-----|-----|--------|------|------|------|
| | | | | | |



| | |
|------------------------|-------------------|
| DR BY: | Candy |
| APPD: | |
| FIRST ANGLE PROJECTION | EDS DATE 8/5/2022 |
| | VERSION |

CONFIDENTIAL: THIS DRAWING AND ITS INFORMATION ARE THE EXCLUSIVE AND CONFIDENTIAL PROPERTY OF GW ELECTRICAL (SHANGHAI) CORPORATION AND ARE NOT TO BE DISCLOSED, DUPLICATED, DISTRIBUTED OR OTHERWISE USED WITHOUT THE WRITTEN CONSENT OF GW ELECTRICAL (SHANGHAI) CORPORATION.
-ALL RIGHTS RESERVED.

| | | |
|-------------|----|------------------------------------|
| | | GW ELECTRICAL (SHANGHAI) Co., Ltd. |
| DESCRIPTION | | K005 outline |
| SIZE | A3 | DWG NO |
| SCALE | | SHEET |