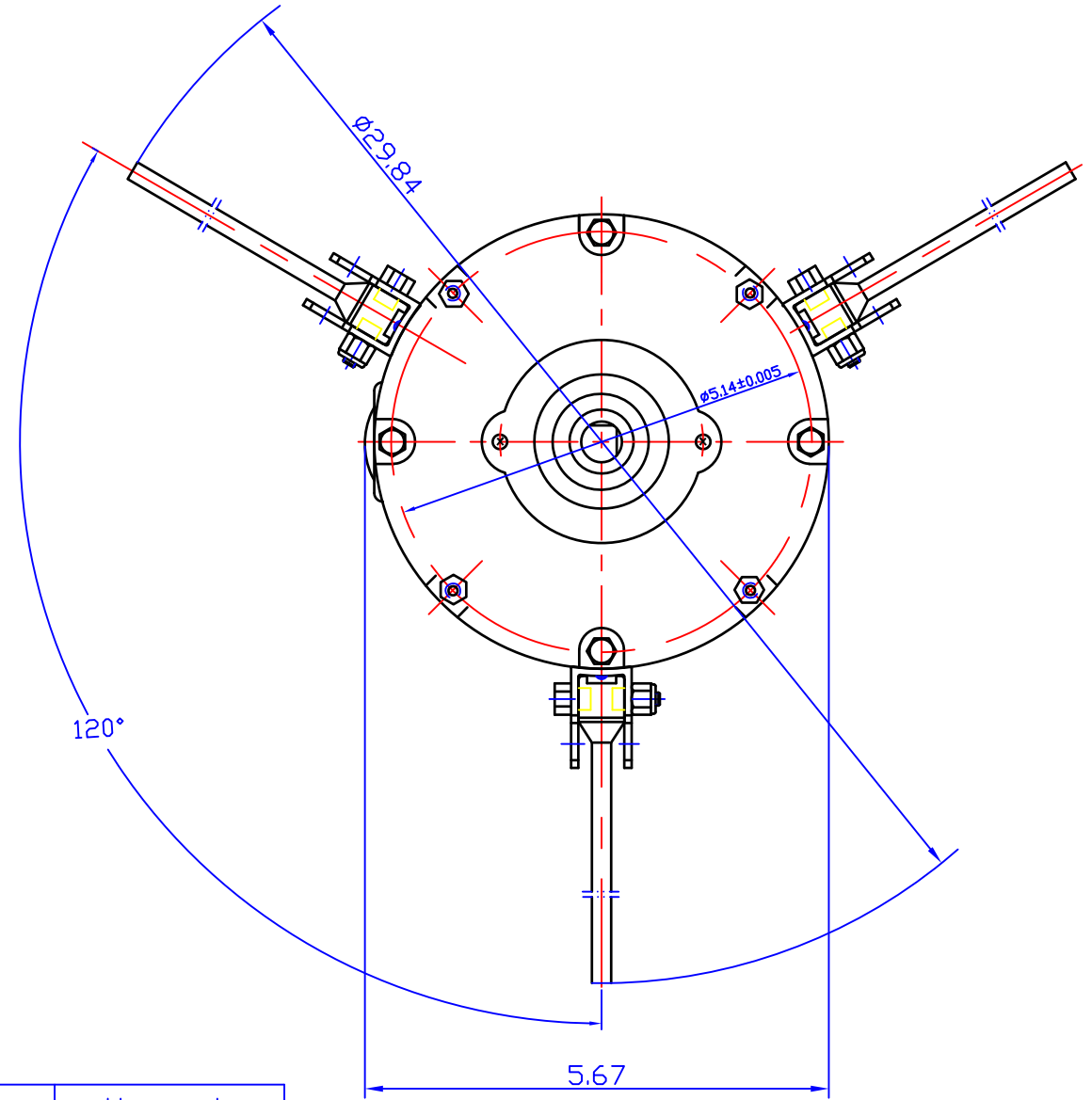
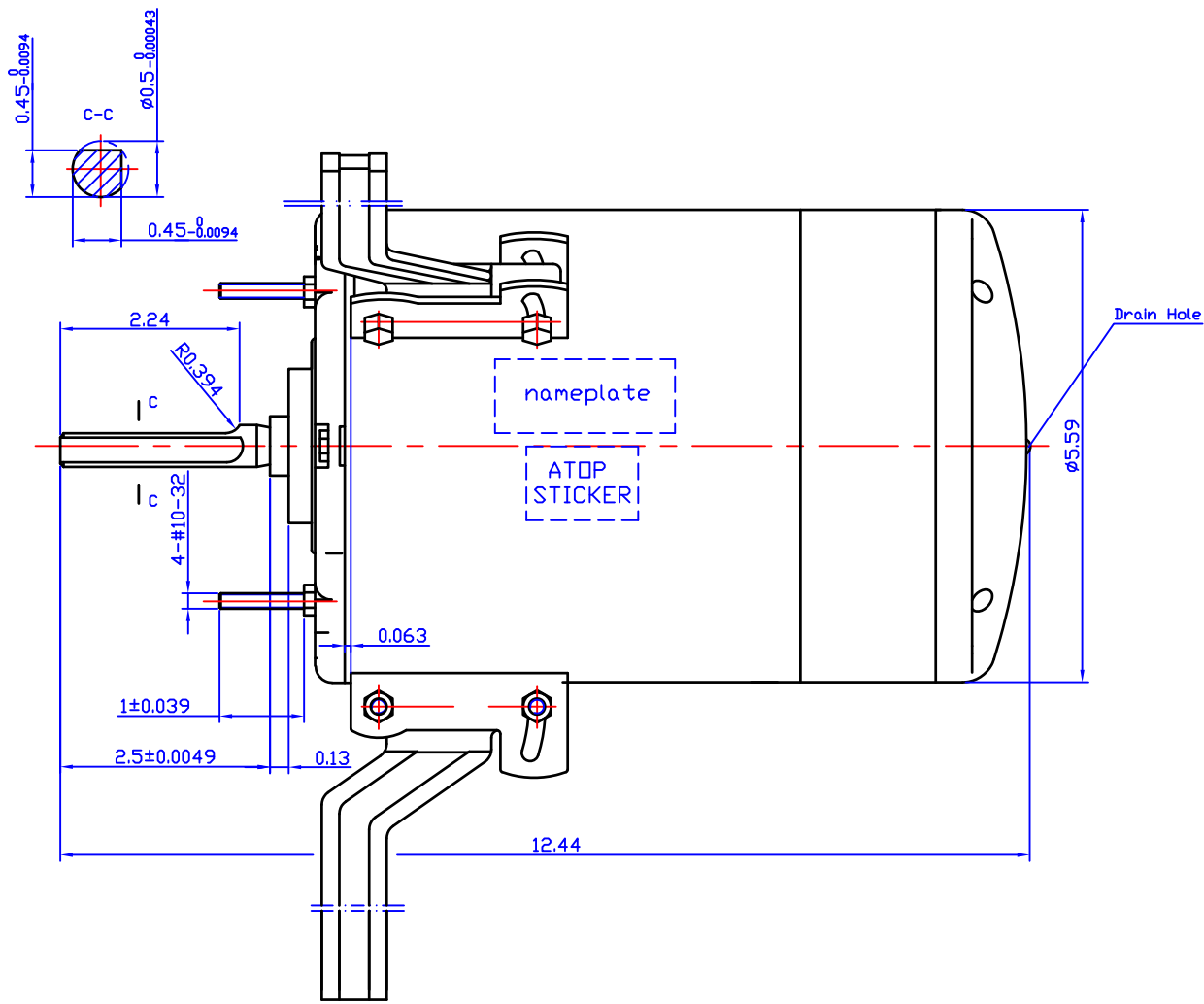


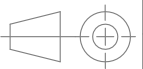
REV	ECO	REV BY	DATE	APPD	DATE



IND#	FRAME	PH	HP	Hz	Pole	Volt	RPM	thermal protector
H611	48	1	1/2	60	6	115/230	1075	MEG61RX

DR BY: Candy

APPD:

FIRST ANGLE PROJECTION  EDS DATE  
VERSION

CONFIDENTIAL PROPERTY OF GW ELECTRIC (SHANGHAI) CORPORATION AND ARE NOT TO BE DISCLOSED, DUPLICATED, OR OTHERWISE USED WITHOUT THE WRITTEN CONSENT OF GW ELECTRIC (SHANGHAI) CORPORATION, OR ITS AGENT, AG-I MOTORTEC INC. - ALL RIGHTS RESERVED



AG-I MOTORTEC INC.,

DESCRIPTION  
H611 OUTLINE

SIZE A3 DWG NO

SCALE 1:1.5 SHEET