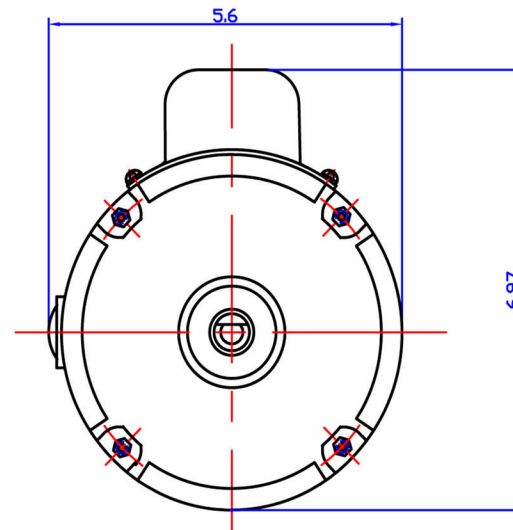
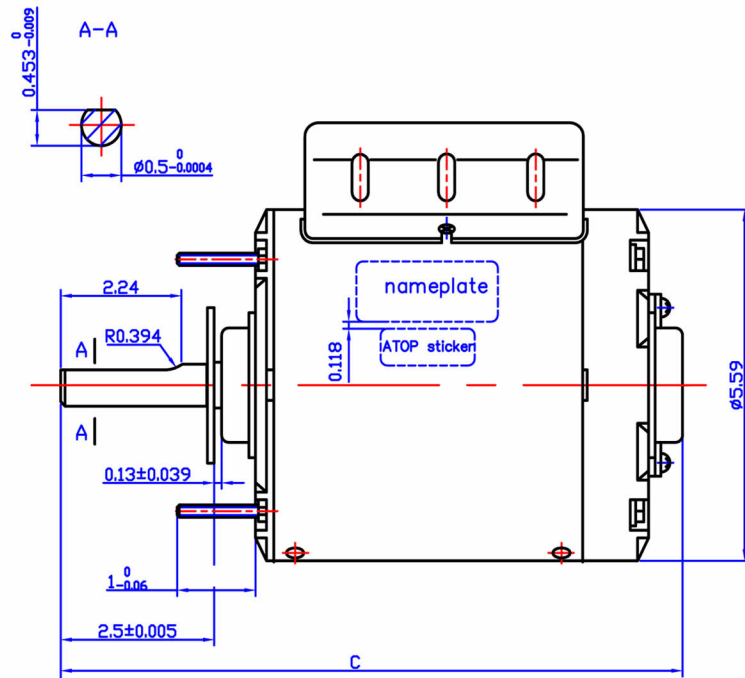
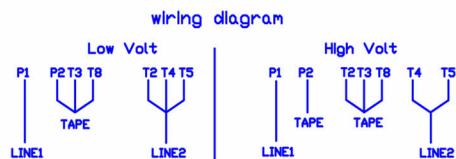




REV	ECO	REV BY	DATE	APPD	DATE



CAT.NO.	VOLTS	Hz	Pole	HP	RPM	PH	FRAME	C	THERMALLY PROTECTED
F984	115/230	60	4	1/4	1625	1	48	11.46	MEG61RX
F985	115/230	60	4	1/3	1625	1	48	12	MEG61RX
F986	115/230	60	4	1/2	1625	1	48	12.44	MEJ57RX



DR BY:		 AG-I MOTORTEC INC. ,
APPD:		
FIRST ANGLE PROJECTION 	EDS DATE VERSION	DESCRIPTION
CONFIDENTIAL PROPERTY OF GW ELECTRIC (SHANGHAI) CORPORATION AND ARE NOT TO BE DISCLOSED, DUPLICATED, OR OTHERWISE USED WITHOUT THE WRITTEN CONSENT OF GW ELECTRIC (SHANGHAI) CORPORATION, OR ITS AGENT, AG-I MOTORTEC INC. - ALL RIGHTS RESERVED		SIZE A3 DWG NO
		SCALE SHEET