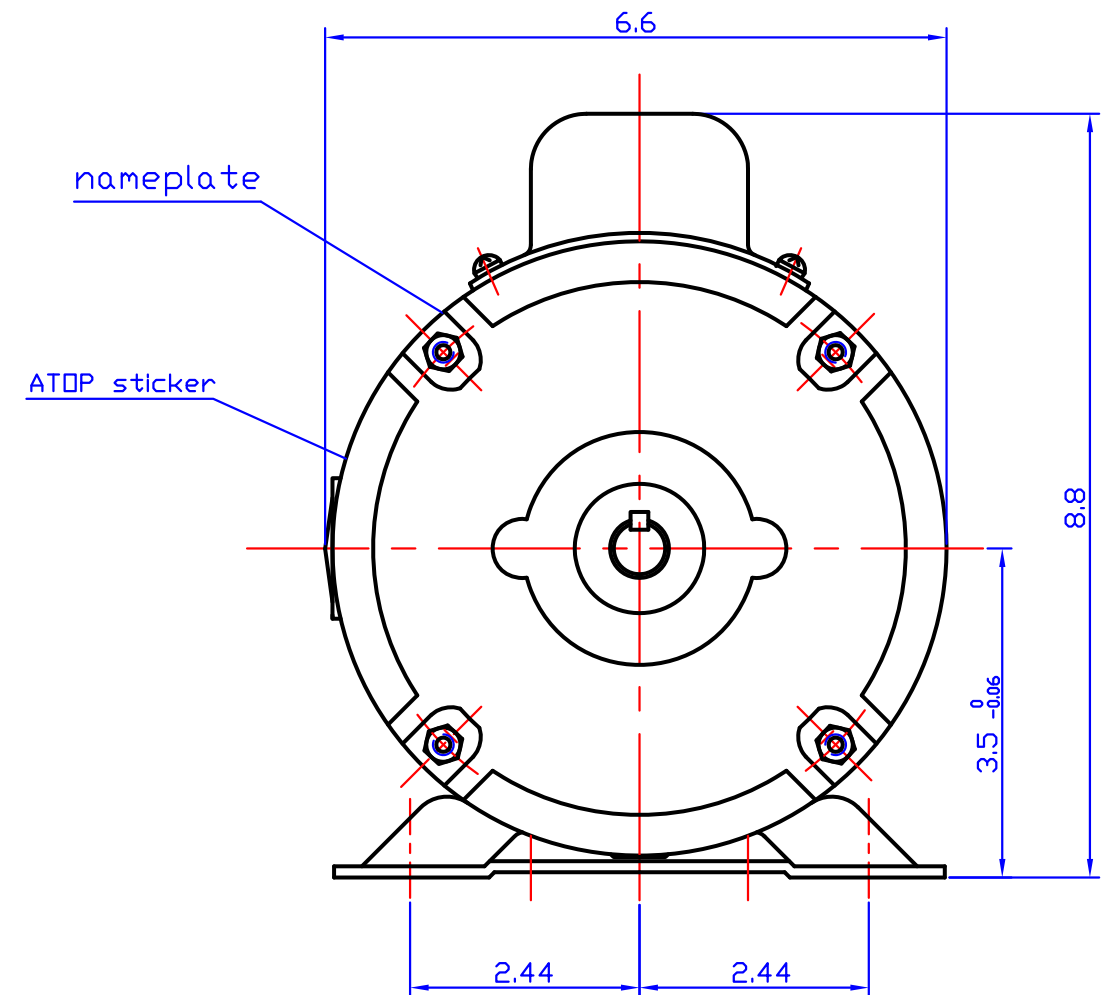
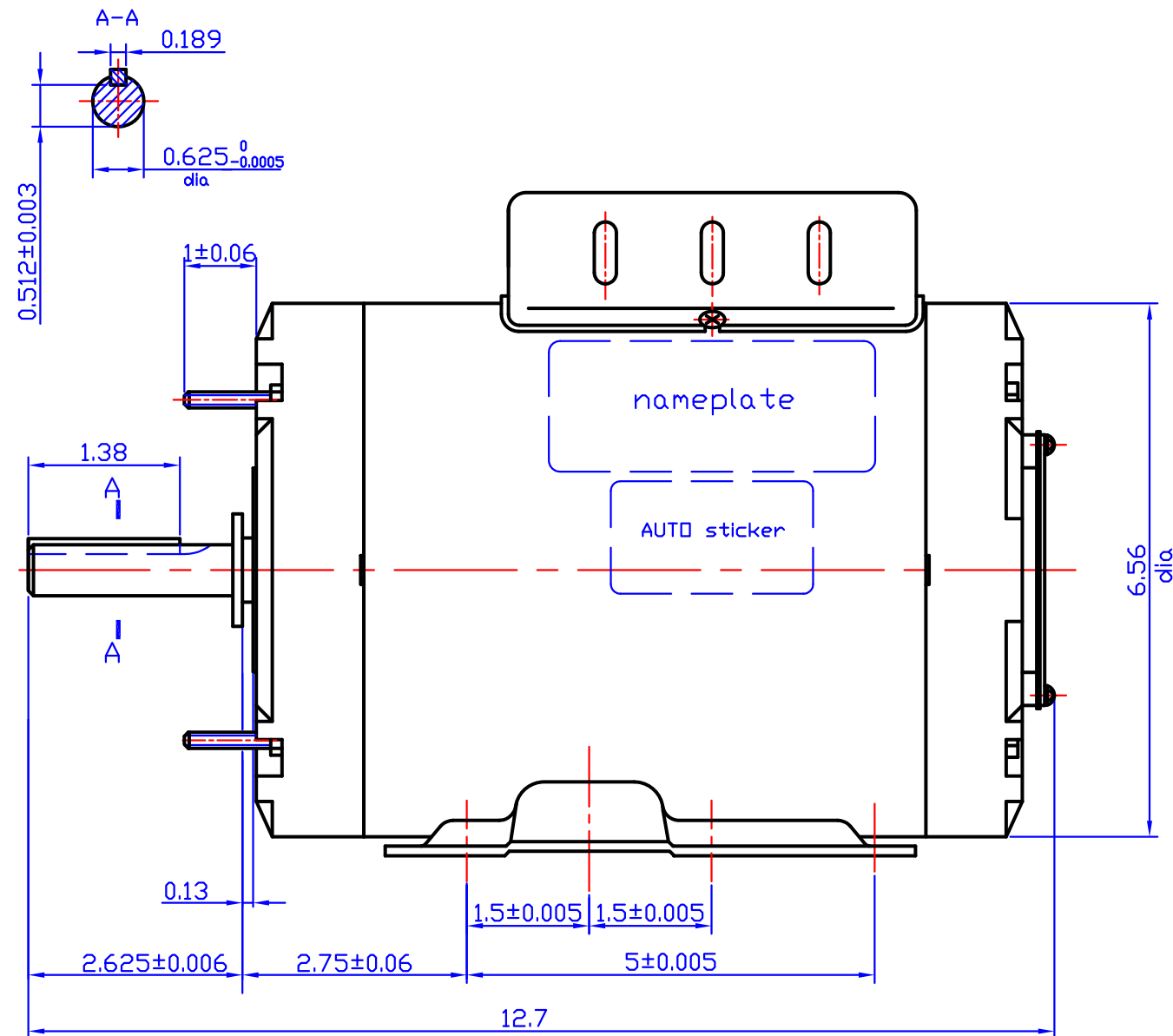


REV	ECO	REV BY	DATE	APPD	DATE
					12.8.2016



IND#.	FRAME	PH	HP	Hz	Pole	Volt	thermal protector
F847	56	1	3/4	60	6	115/230	AUTO

DR BY:	Candy
APPD:	
FIRST ANGLE PROJECTION	EDS DATE VERSION
CONFIDENTIAL PROPERTY OF GW ELECTRIC (SHANGHAI) CORPORATION AND ARE NOT TO BE DISCLOSED, DUPLICATED, OR OTHERWISE USED WITHOUT THE WRITTEN CONSENT OF GW ELECTRIC (SHANGHAI) CORPORATION, OR ITS AGENT, AG-I MOTORTEC INC. - ALL RIGHTS RESERVED	



AG-I MOTORTEC INC.,

DESCRIPTION

F847 OUTLINE

SIZE DWG NO

SCALE 1:2

SHEET