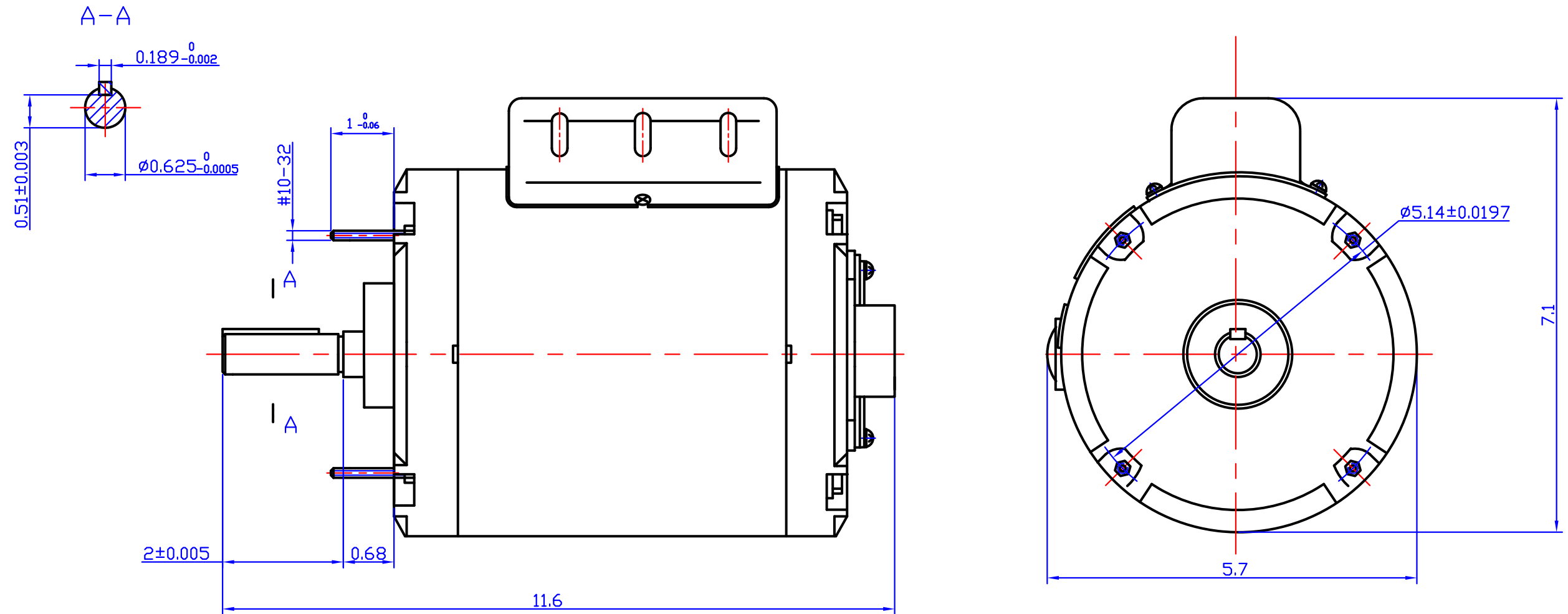




REV	ECO	REV BY	DATE	APPD	DATE



IND#	FRAME	PH	HP	RPM	Hz	Volt	thermal protector	S.F	INSL.
F835	48	1	1/2	850	60	115/230	AUTO.	1.15	F

DR BY:		 <b>AG-I MOTORTEC INC. ,</b>
APPD:		
FIRST ANGLE PROJECTION 	EDS DATE VERSION	DESCRIPTION <b>F835 OUTLINE</b>
CONFIDENTIAL: THIS DRAWING AND ITS INFORMATION ARE THE EXCLUSIVE AND CONFIDENTIAL PROPERTY OF GW ELECTRICAL (SHANGHAI) CORPORATION AND ARE NOT TO BE DISCLOSED, DUPLICATED, DISTRIBUTED OR OTHERWISE USED WITHOUT THE WRITTEN CONSENT OF GW ELECTRICAL (SHANGHAI) CORPORATION. -ALL RIGHTS RESERVED.		SIZE <b>A3</b> DWG NO SCALE <b>1:2</b> SHEET