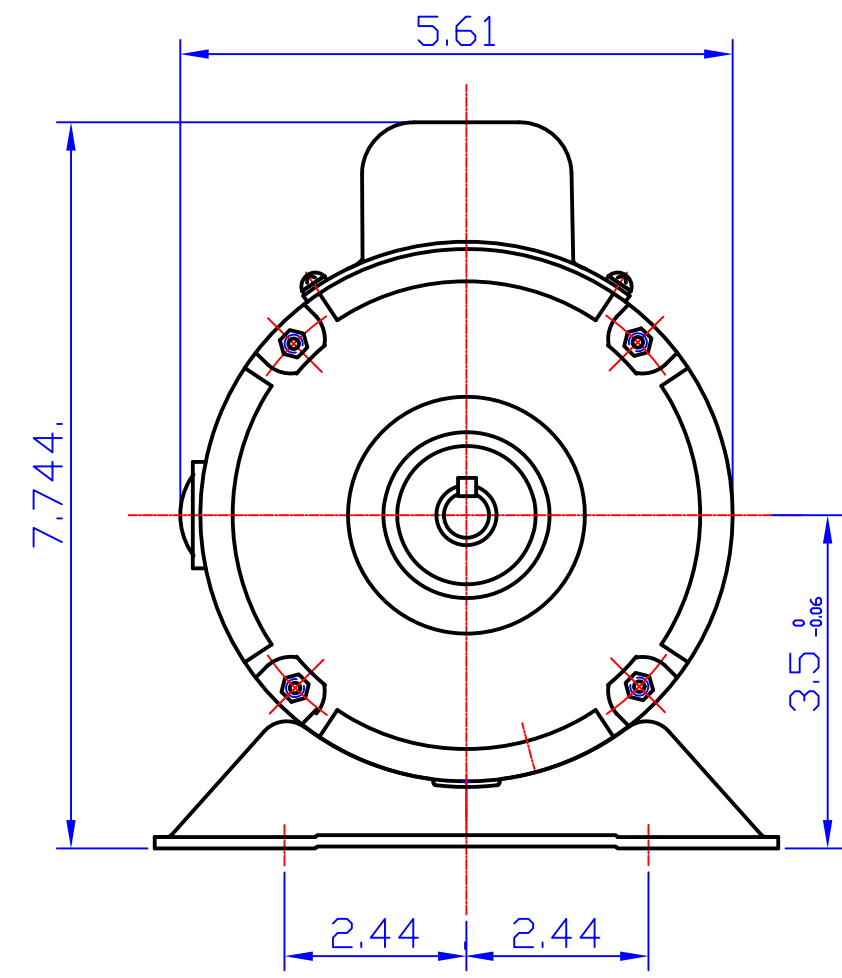
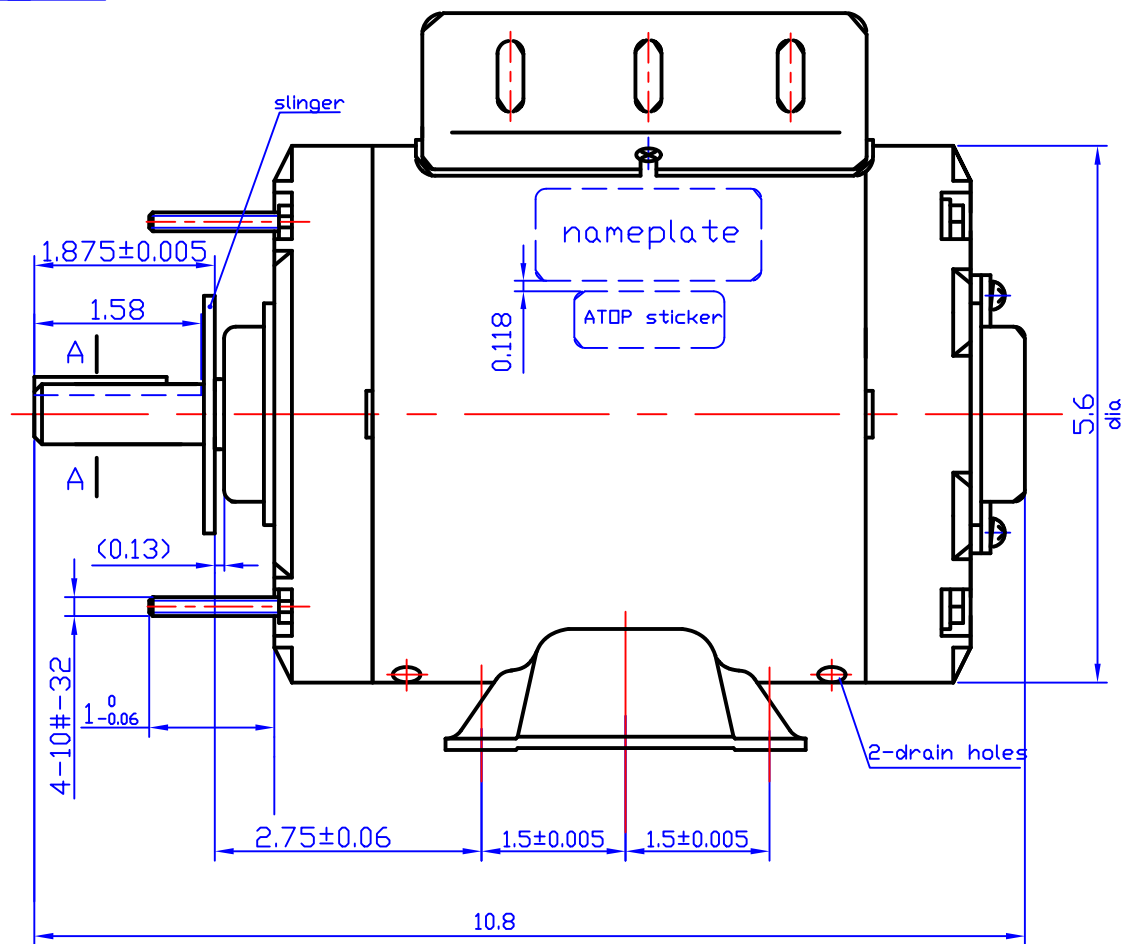
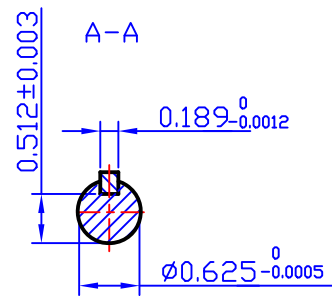


REV	ECO	REV BY	DATE	APPD	DATE
					7.21.2015



IND#	REF.NO	FRAME	PH	HP	Hz	Volt	thermal protector	RPM	2-drain holes
F817	F054DASMA00	S56	1	1/2	60	115/230	MEJ57RX	1630	WITH

DR BY: Candy

APPD:

FIRST ANGLE PROJECTION

EDS DATE
VERSION

CONFIDENTIAL PROPERTY OF GW ELECTRIC (SHANGHAI) CORPORATION AND ARE NOT TO BE DISCLOSED, DUPLICATED, OR OTHERWISE USED WITHOUT THE WRITTEN CONSENT OF GW ELECTRIC (SHANGHAI) CORPORATION, OR ITS AGENT, AG-I MOTORTEC INC. - ALL RIGHTS RESERVED

AG-I MOTORTEC INC.,

DESCRIPTION
F817 OUTLINE

SIZE A3 DWG NO

SCALE SHEET