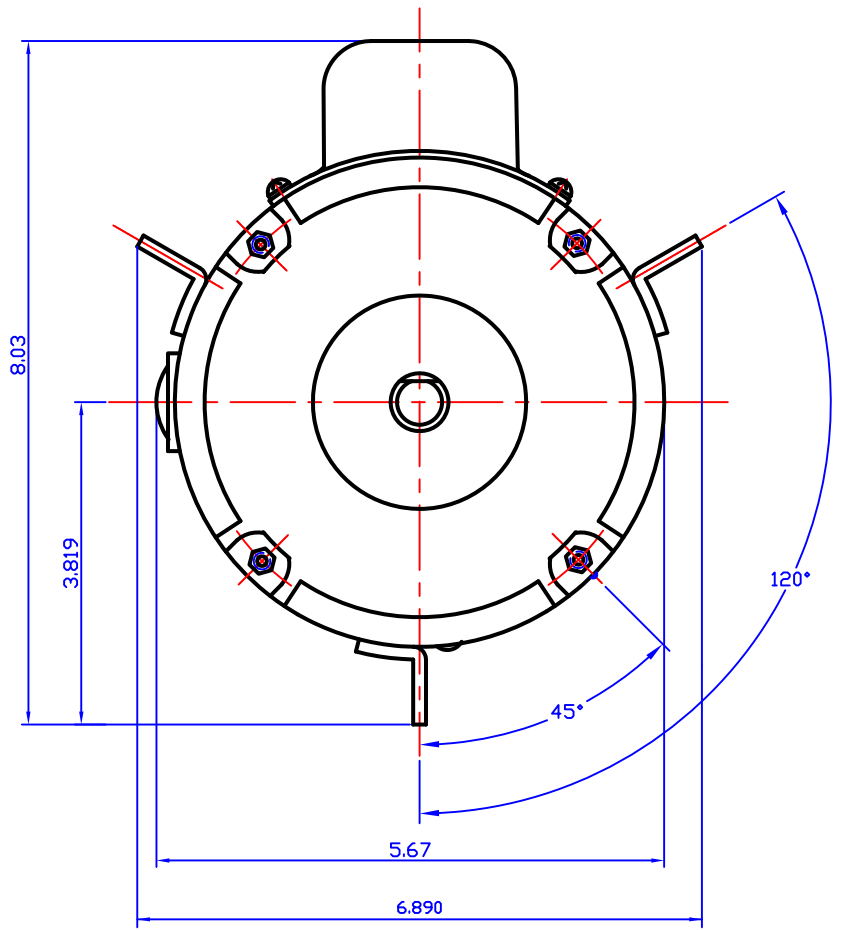
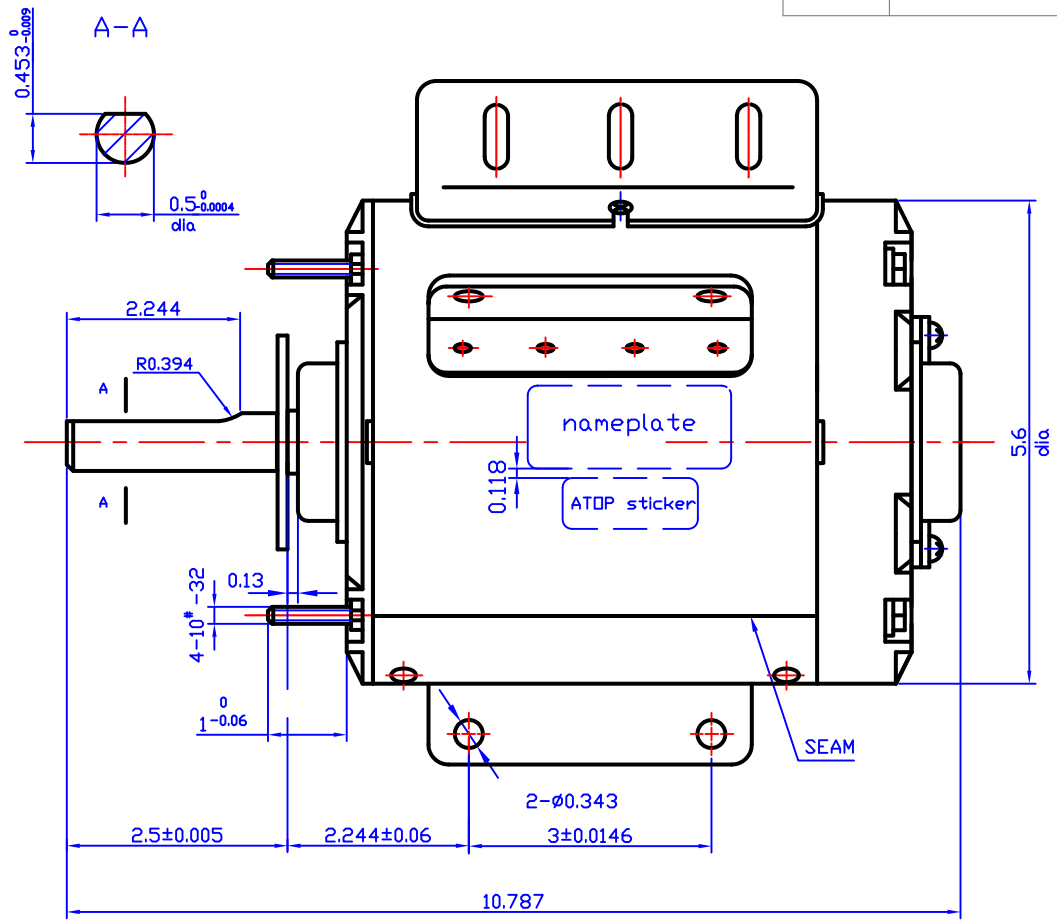


REV	ECO	REV BY	DATE	APPD	DATE
-----	-----	--------	------	------	------



IND#	FRAME	PH	HP	Hz	RPM	Pole	Volt	thermal protector
F804	48	1	1/2	60	1630	4	115/230	MEJ57RX

DR BY:	
APPD:	
FIRST ANGLE PROJECTION	
EDS DATE	VERSION
CONFIDENTIAL PROPERTY OF GW ELECTRIC (SHANGHAI) CORPORATION AND ARE NOT TO BE DISCLOSED, DUPLICATED, OR OTHERWISE USED WITHOUT THE WRITTEN CONSENT OF GW ELECTRIC (SHANGHAI) CORPORATION, OR ITS AGENT, AG-I MOTORTEC INC. - ALL RIGHTS RESERVED	

		AG-I MOTORTEC INC.,
DESCRIPTION		
F804 OUTLINE		
SIZE	DWG NO	
A3		
SCALE		SHEET