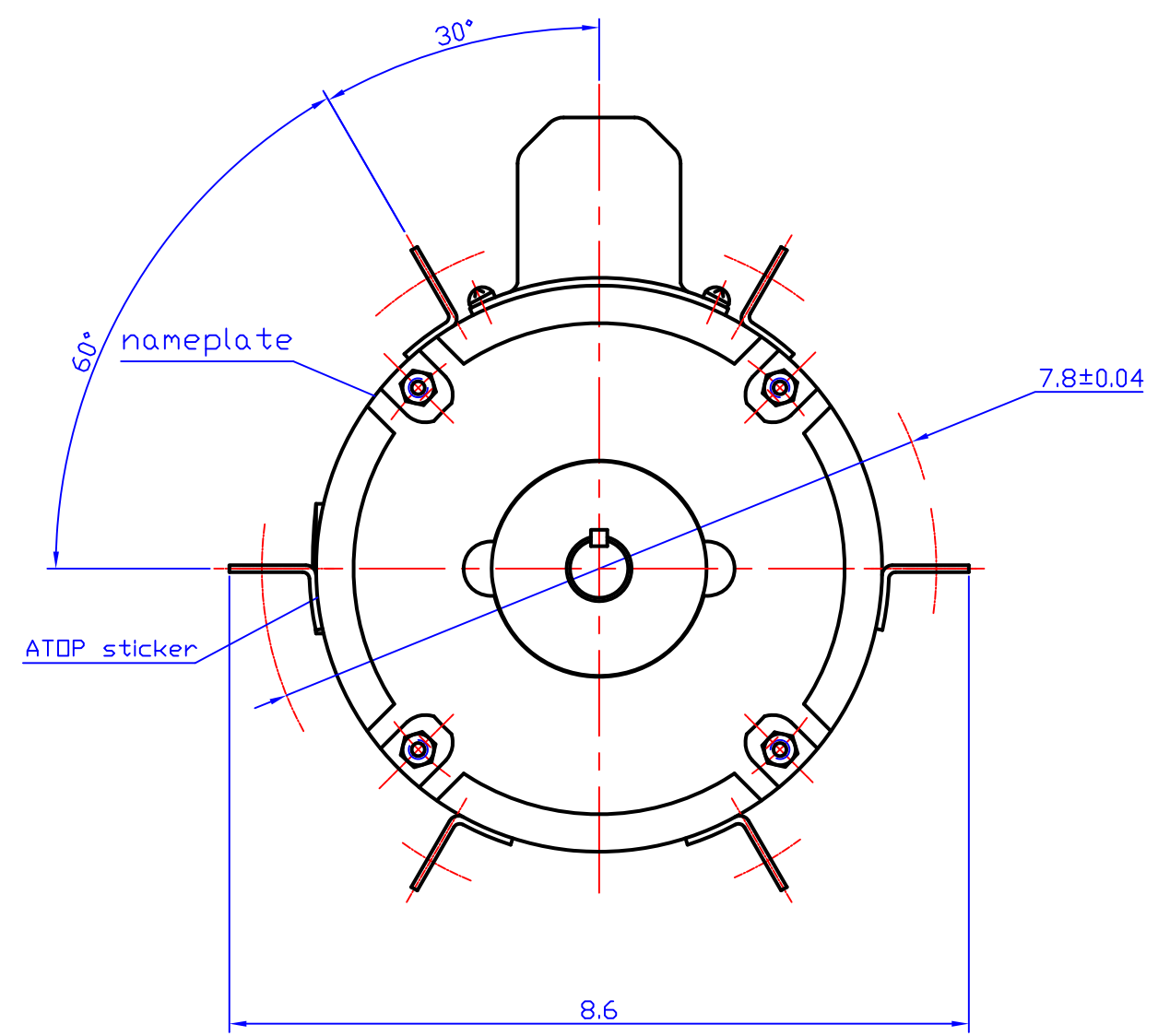
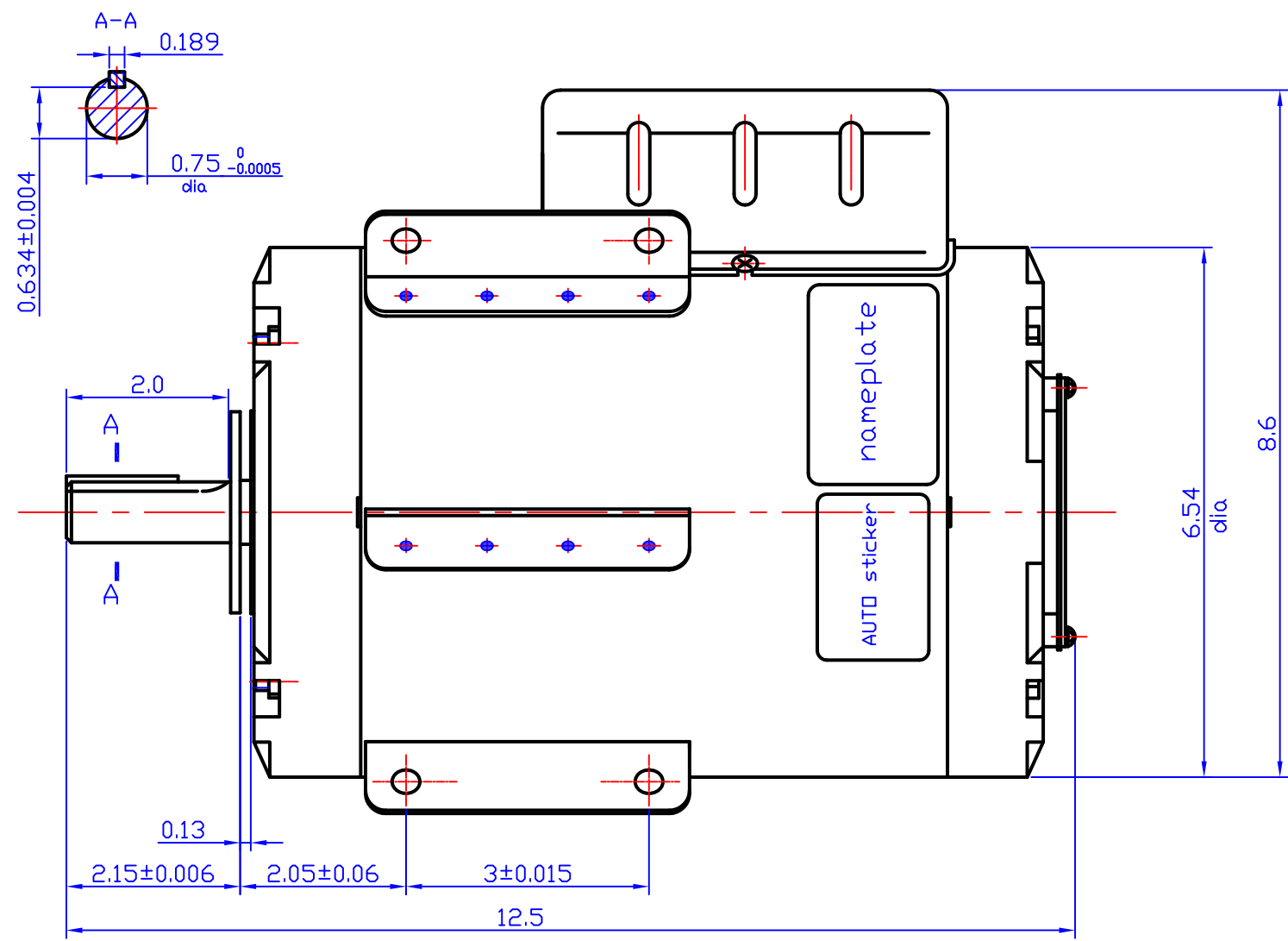


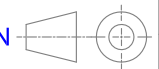
REV	ECO	REV BY	DATE	APPD	DATE



LEESON CAT.NO.	FRAME	PH	HP	Hz	Volt	thermal protector	rotation
F648	56	1	1	60	230	MEJ28RX	CCWLE

DR BY:

APPD:

FIRST ANGLE PROJECTION 

EDS DATE
VERSION

CONFIDENTIAL PROPERTY OF GW ELECTRIC (SHANGHAI) CORPORATION AND ARE NOT TO BE DISCLOSED, DUPLICATED, OR OTHERWISE USED WITHOUT THE WRITTEN CONSENT OF GW ELECTRIC (SHANGHAI) CORPORATION, OR ITS AGENT, AG-I MOTORTEC INC.
- ALL RIGHTS RESERVED



AG-I MOTORTEC INC.,

DESCRIPTION
F648 OUTLINE

SIZE A3 DWG NO

SCALE SHEET