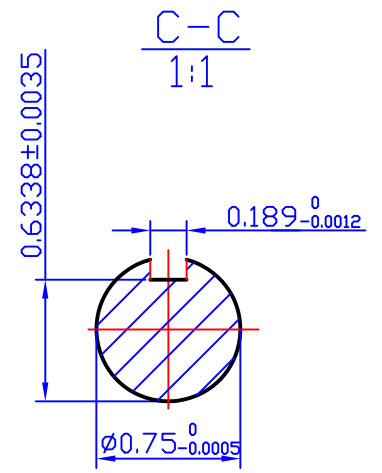
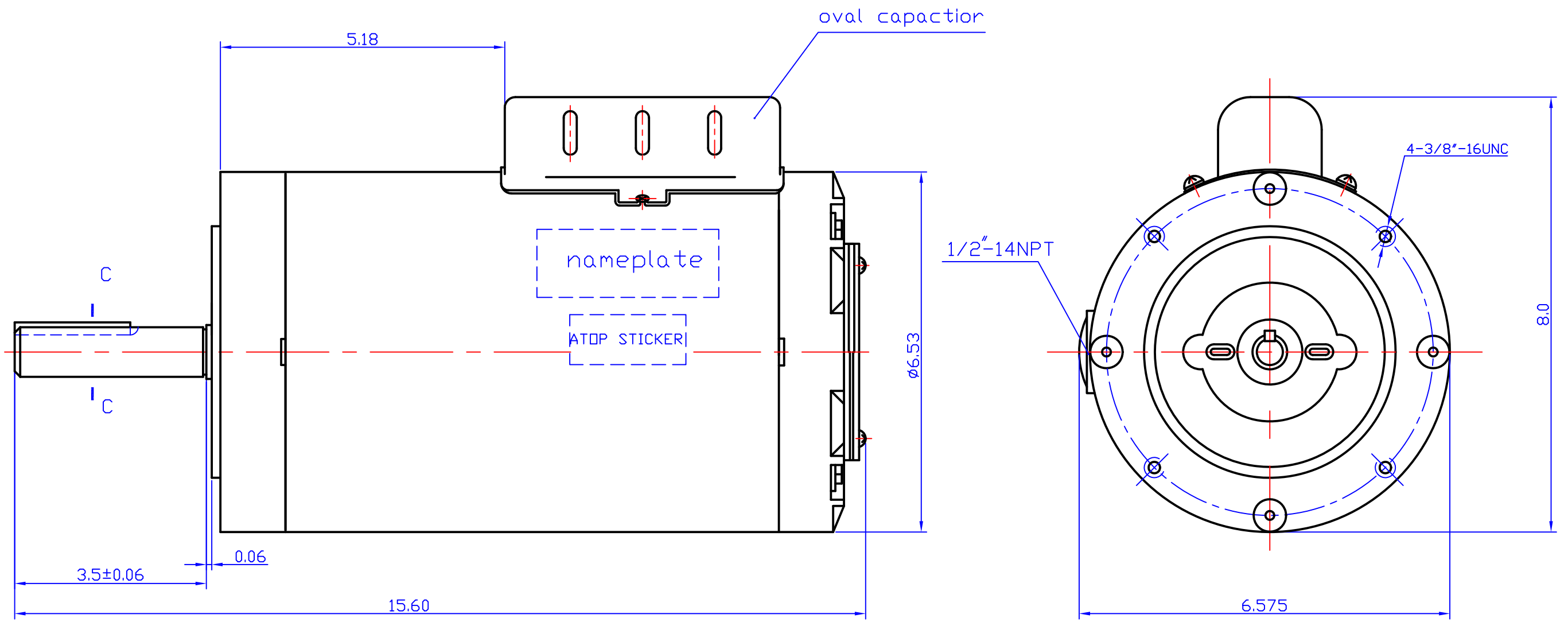

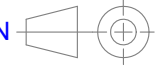


REV	ECO	REV BY	DATE	APPD	DATE



AGI IND#	FRAME	PH	HP	Hz	Volt	INSUL.	thermal protector
F644	56C	1	1	60	230	B	MEJ28RX

DR BY:		 <b>AG-I MOTORTEC INC. ,</b>
APPD:		
FIRST ANGLE PROJECTION 	EDS DATE VERSION	DESCRIPTION F644 OUTLINE DRAWING
CONFIDENTIAL PROPERTY OF GW ELECTRIC (SHANGHAI) CORPORATION AND ARE NOT TO BE DISCLOSED, DUPLICATED, OR OTHERWISE USED WITHOUT THE WRITTEN CONSENT OF GW ELECTRIC (SHANGHAI) CORPORATION, OR ITS AGENT, AG-I MOTORTEC INC. - ALL RIGHTS RESERVED		SIZE A3
		DWG NO
		SCALE 1:2
		SHEET