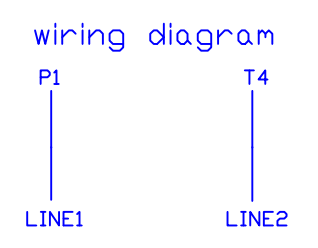
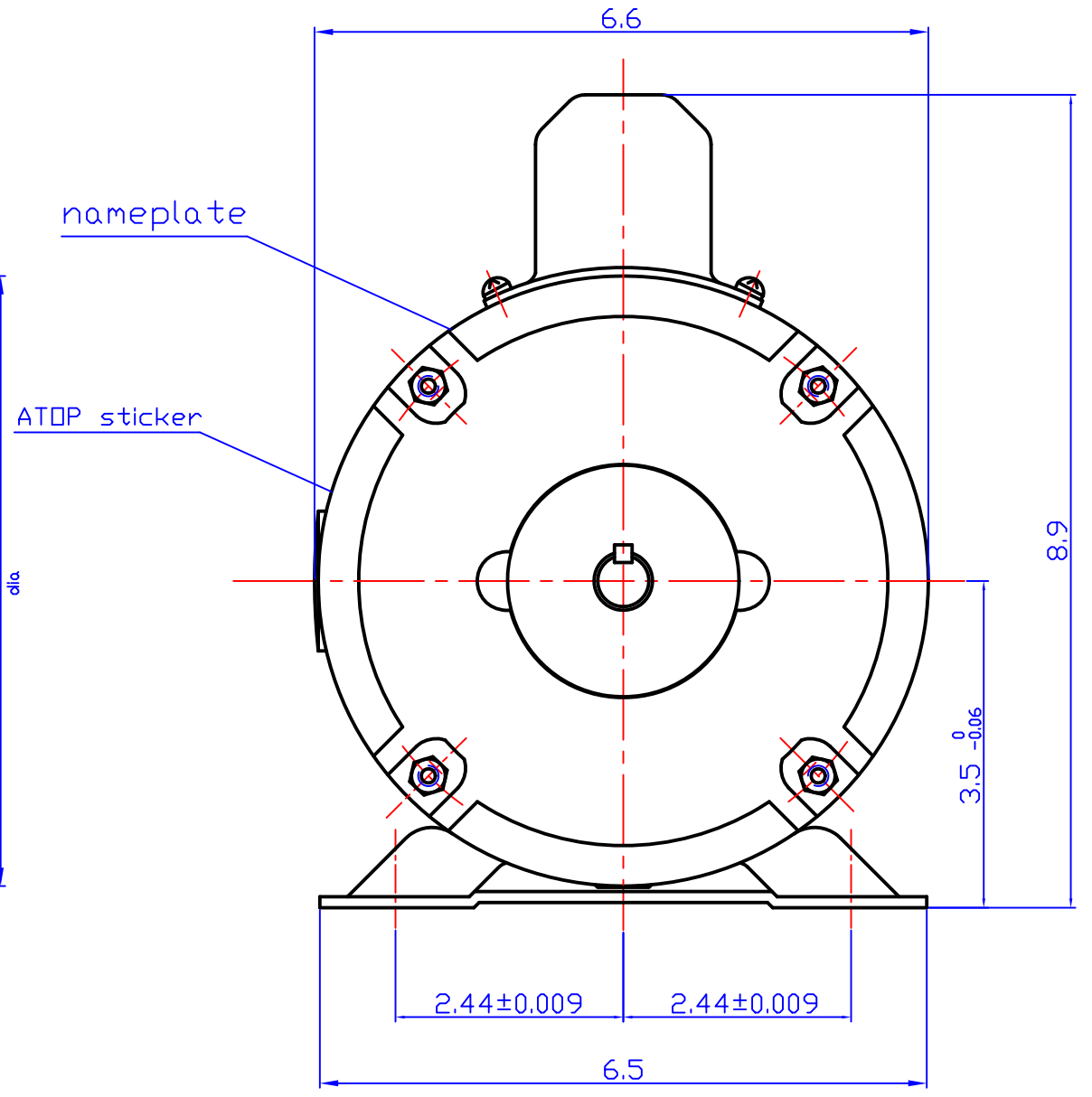
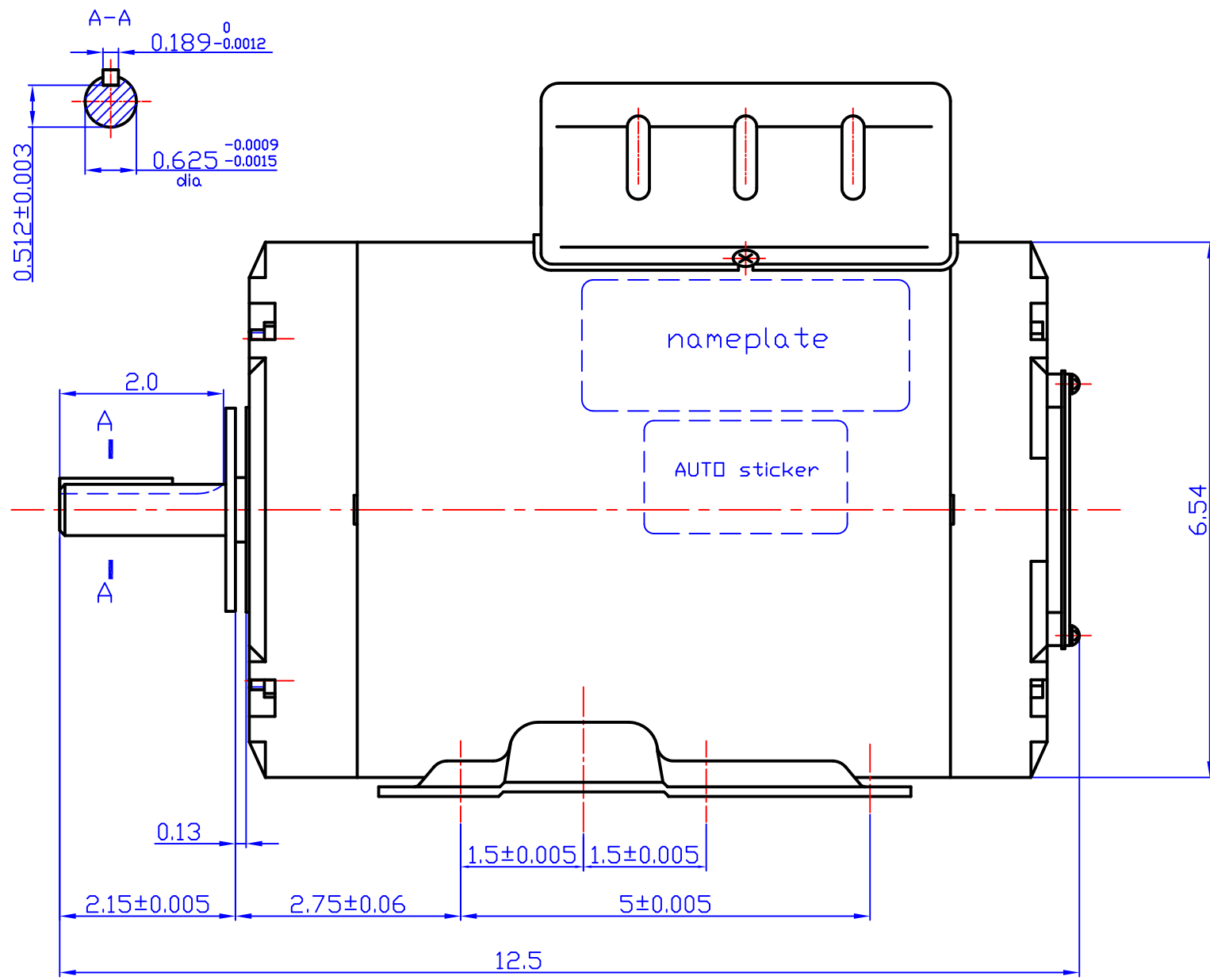


REV	ECO	REV BY	DATE	APPD	DATE
					3.31.2015



AGI IND#	FRAME	PH	Pole	HP	Hz	Volt	RPM	thermal protector
F537	56	1	8	1	60	230	850	MEJ28RX

DR BY:	Candy
APPD:	



AG-I MOTORTEC INC.,

FIRST ANGLE PROJECTION	EDS DATE 09/09/2022
	VERSION

DESCRIPTION
F537 OUTLINE

CONFIDENTIAL PROPERTY OF GW ELECTRIC (SHANGHAI) CORPORATION AND ARE NOT TO BE DISCLOSED, DUPLICATED, OR OTHERWISE USED WITHOUT THE WRITTEN CONSENT OF GW ELECTRIC (SHANGHAI) CORPORATION, OR ITS AGENT, AG-I MOTORTEC INC. - ALL RIGHTS RESERVED

SIZE	A3	DWG NO	
SCALE	1:2		SHEET