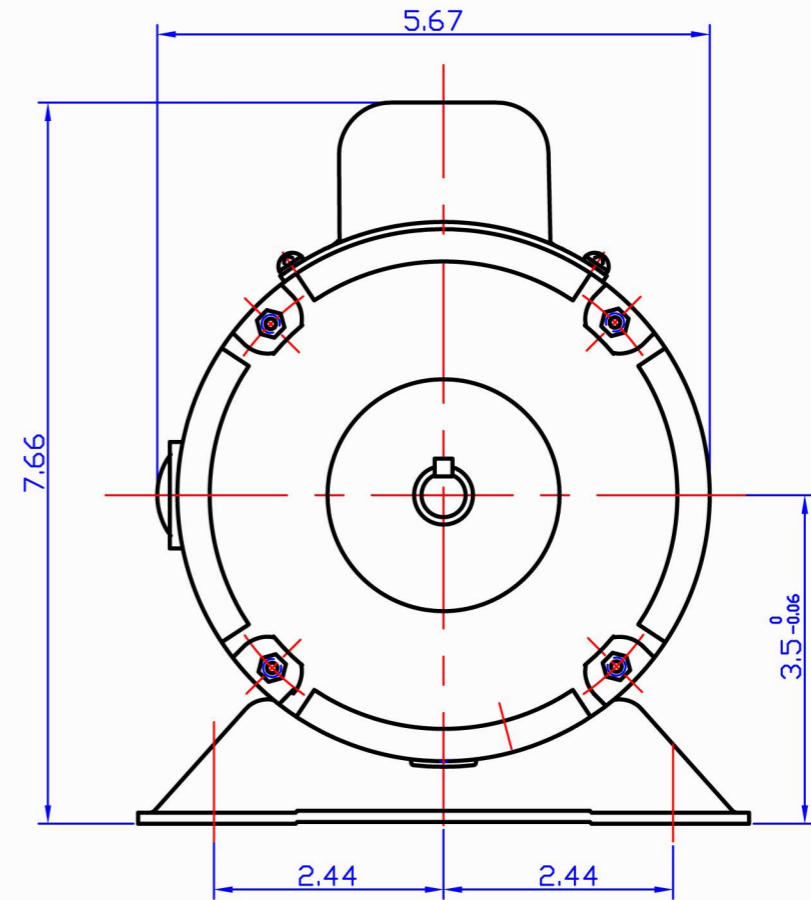
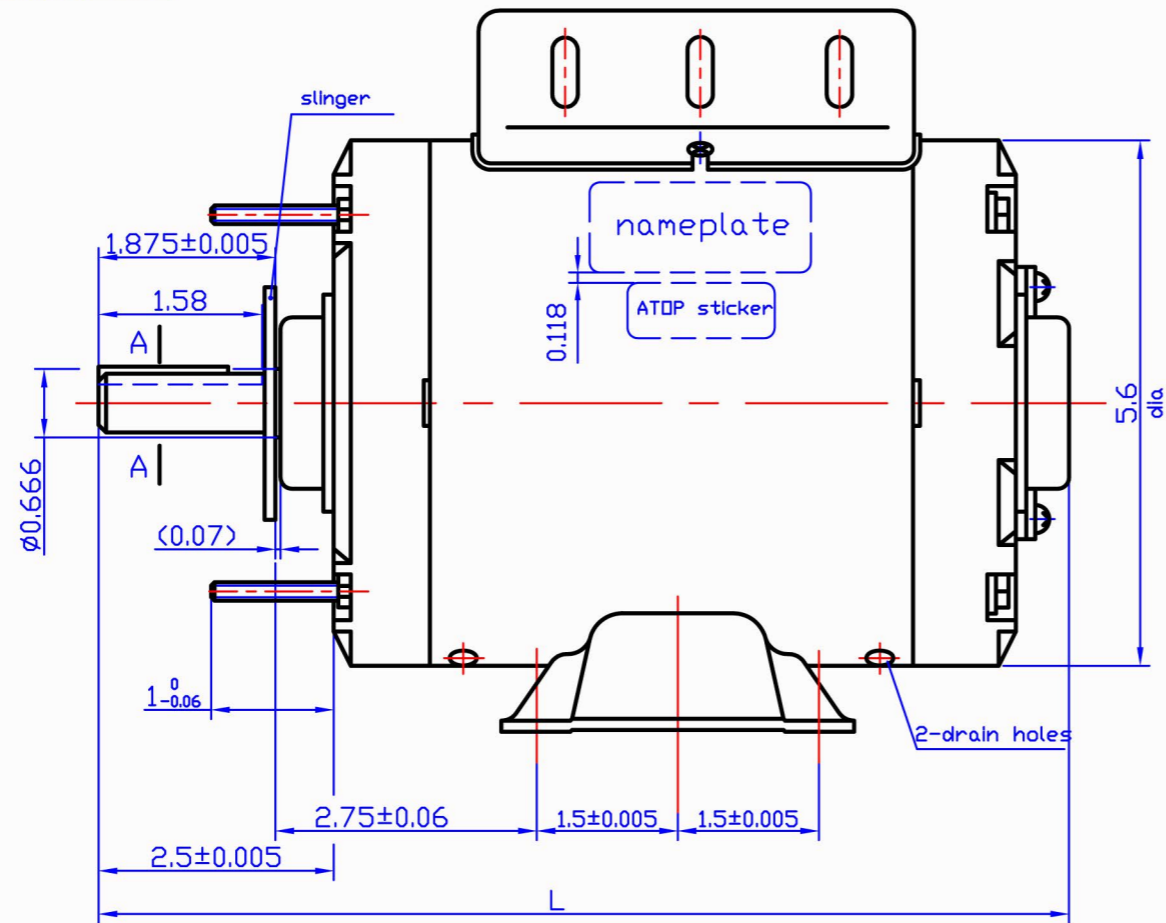
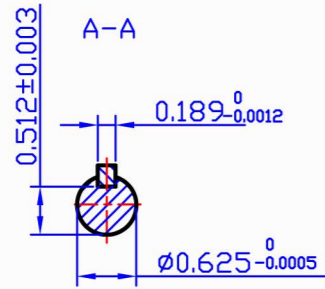


REV	ECO	REV BY	DATE	APPD	DATE
					7.21.2015



IND#	HP	RPM	FR.	HZ	VOLTS	ATOP	L DIM
F280	1/2	850	S56	60	115/230	MEJ55RX	11.3

DR BY:	Candy		AG-I MOTORTEC INC.,
APPD:			
FIRST ANGLE PROJECTION	EDS DATE	DESCRIPTION	
	VERSION	F280 OUTLINE	
CONFIDENTIAL PROPERTY OF GW ELECTRIC (SHANGHAI) CORPORATION AND ARE NOT TO BE DISCLOSED, DUPLICATED, OR OTHERWISE USED WITHOUT THE WRITTEN CONSENT OF GW ELECTRIC (SHANGHAI) CORPORATION, OR ITS AGENT, AG-I MOTORTEC INC. - ALL RIGHTS RESERVED		SIZE	DWG NO
		SCALE 1:1.5	SHEET