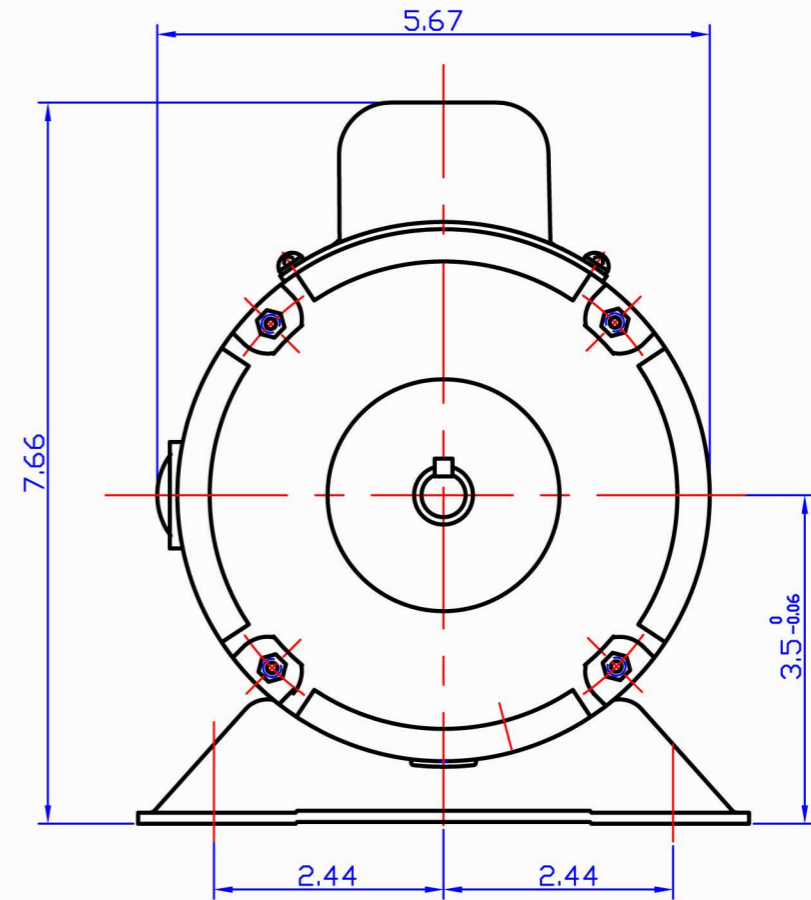
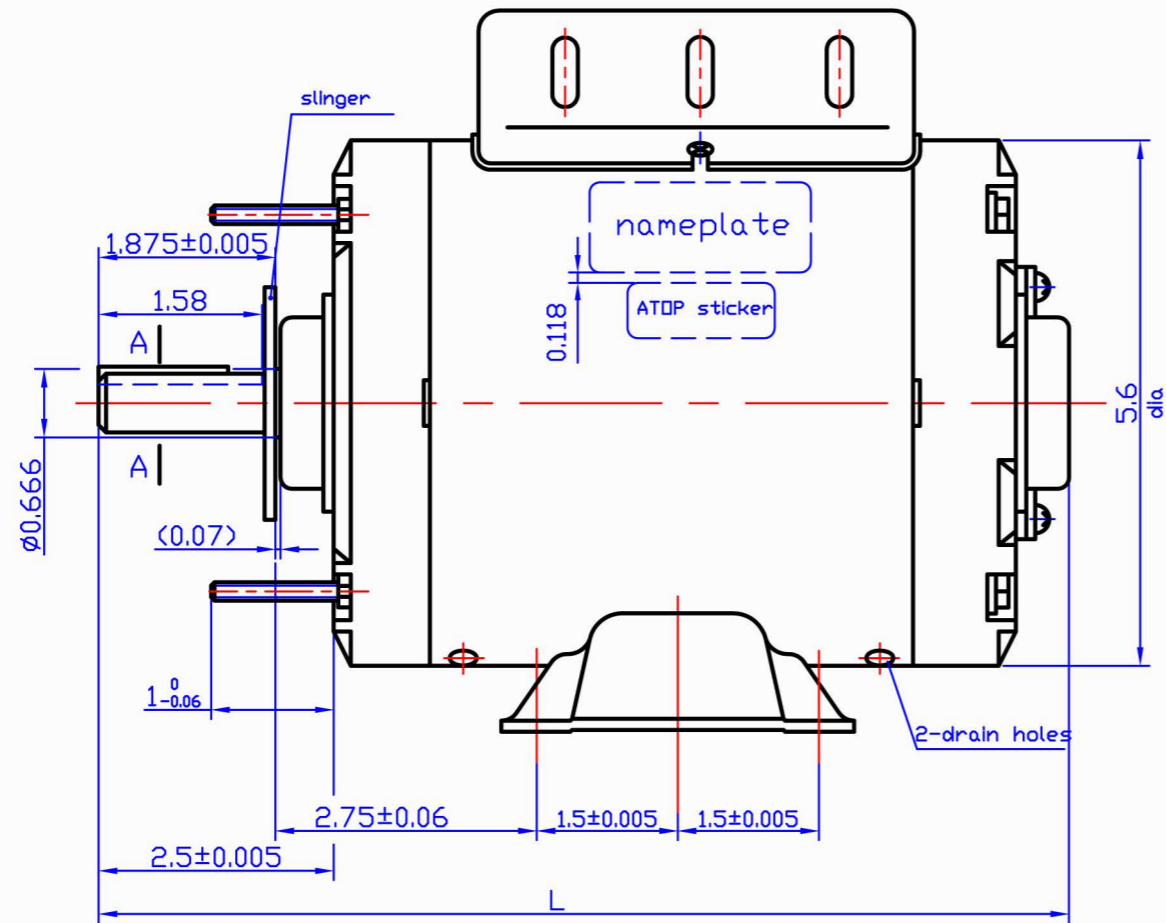
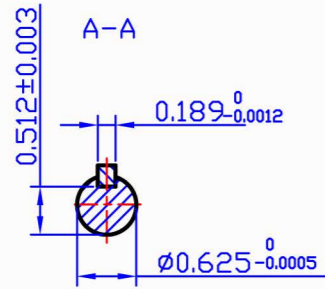


REV	ECO	REV BY	DATE	APPD	DATE
					7.21.2015



IND#	FRAME	PH	HP	Hz	Volt	thermal protector	RPM	L	2-drain holes
F263	S56	1	1/3	60	115/230	MEG65RX	1075	11.3	WITH

DR BY:	Candy		AG-I MOTORTEC INC.,
APPD:			
FIRST ANGLE PROJECTION	EDS DATE VERSION	DESCRIPTION F263 Outline	
CONFIDENTIAL PROPERTY OF GW ELECTRIC (SHANGHAI) CORPORATION AND ARE NOT TO BE DISCLOSED, DUPLICATED, OR OTHERWISE USED WITHOUT THE WRITTEN CONSENT OF GW ELECTRIC (SHANGHAI) CORPORATION, OR ITS AGENT, AG-I MOTORTEC INC. - ALL RIGHTS RESERVED		SIZE	DWG NO
		SCALE 1:1.5	SHEET